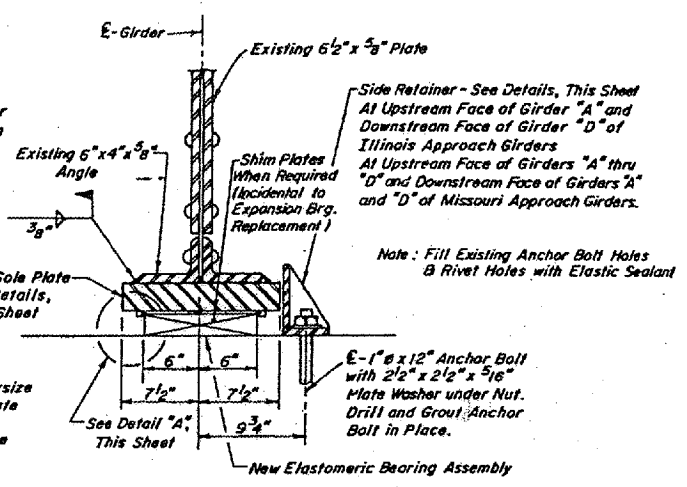
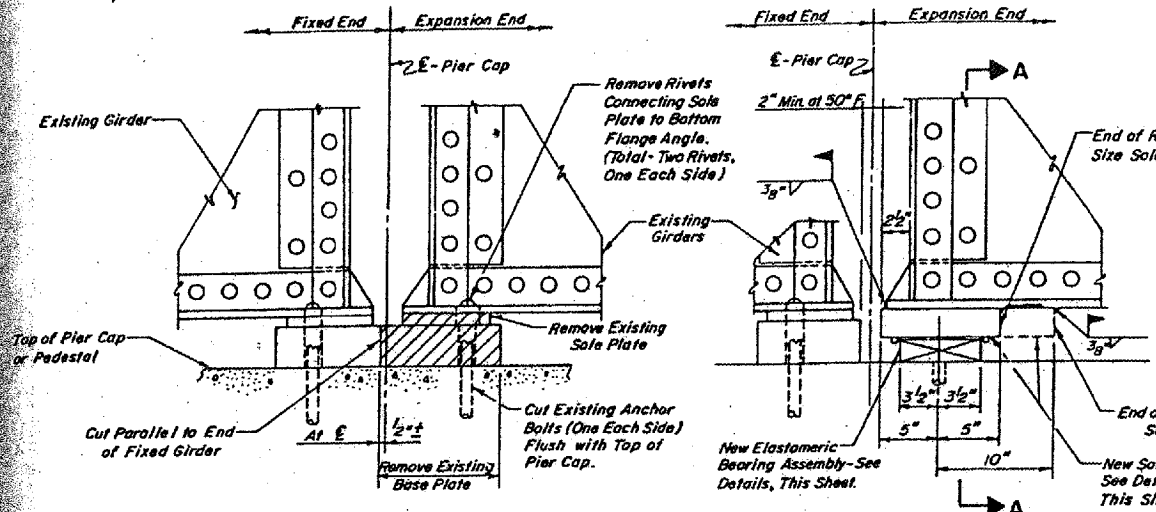


NOTE: Clean bottom of Bottom Flange, after Existing Sole Plate removed, prior to New Sole Plate Installation



**SOLE PLATE THICKNESS FOR MISSOURI APPROACH**

PIER NO.	GIRDER "A"				GIRDER "B"				GIRDER "C"				GIRDER "D"			
	f	q	e	p	f	q	e	p	f	q	e	p	f	q	e	p
H	1 1/16	2 1/8	1 7/16	1 7/8	2 1/2	3 1/8	2 1/4	2 7/8	3 1/16	4 1/8	3 7/16	3 3/8	4 1/2	5 1/8	4 1/4	4 7/8
1S	1/2	1	1/4	3/4	1 1/2	2	1 1/4	1 3/4	2 1/2	3	2 1/4	2 3/4	3 5/8	4	3 3/8	3 3/4
2S	5/8	1	3/8	3/4	1 5/8	2	1 3/8	1 3/4	2 3/8	3	2 1/2	2 3/4	3 5/8	4	3 3/8	3 3/4
3S	15/16	1 1/16	1 1/16	1 1/16	1 15/16	1 15/16	1 11/16	1 11/16	2 15/16	2 15/16	2 11/16	2 11/16	3 15/16	3 15/16	3 11/16	3 11/16
4S	15/16	1 1/16	1 1/16	1 1/16	1 15/16	1 15/16	1 11/16	1 11/16	2 15/16	2 15/16	2 11/16	2 11/16	3 15/16	3 15/16	3 11/16	3 11/16
5S	1	1	3/4	3/4	2	2	1 3/4	1 3/4	3	3	2 3/4	2 3/4	4	4	3 3/4	3 3/4
6S	1	1	3/4	3/4	2	2	1 3/4	1 3/4	3	3	2 3/4	2 3/4	4	4	3 3/4	3 3/4
7S	1	1	3/4	3/4	2	2	1 3/4	1 3/4	3	3	2 3/4	2 3/4	4	4	3 3/4	3 3/4
8S	1	1	3/4	3/4	2	2	1 3/4	1 3/4	3	3	2 3/4	2 3/4	4	4	3 3/4	3 3/4
9S	1	1	3/4	3/4	2	2	1 3/4	1 3/4	3	3	2 3/4	2 3/4	4	4	3 3/4	3 3/4
10S	1	1	3/4	3/4	2	2	1 3/4	1 3/4	3	3	2 3/4	2 3/4	4	4	3 3/4	3 3/4
11S	15/16	1 1/16	1 1/16	1 1/16	1 15/16	1 15/16	1 11/16	1 11/16	2 15/16	2 15/16	2 11/16	2 11/16	3 15/16	3 15/16	3 11/16	3 11/16
12S	1	1	3/4	3/4	2	2	1 3/4	1 3/4	3	3	2 3/4	2 3/4	4	4	3 3/4	3 3/4

Calculated Weight of New Sole Plates, including Retainer Angles, Retainer Bars and Shim Plates = 8670 Lbs. (Incidental to Expansion Bearing Replacement)

Note that of the total 52 sole plates listed above, 40 (located at Piers 3S-12S) are sloping 1/4" in the E-W direction, the remaining 12 are sloping in E-W and N-S directions.

● Indicates using extra long sole plate to cover deteriorated flange area.

Table thickness given in inches.

**SOLE PLATE THICKNESS FOR EXPANSION BEARINGS ILLINOIS APPROACH SPANS**

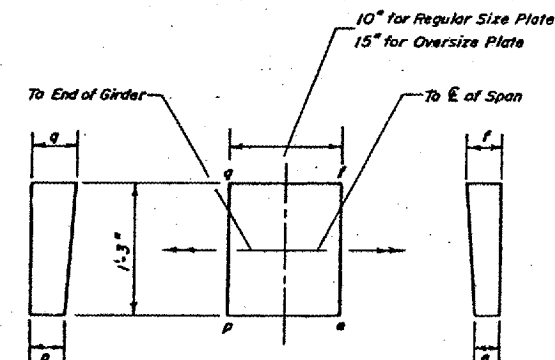
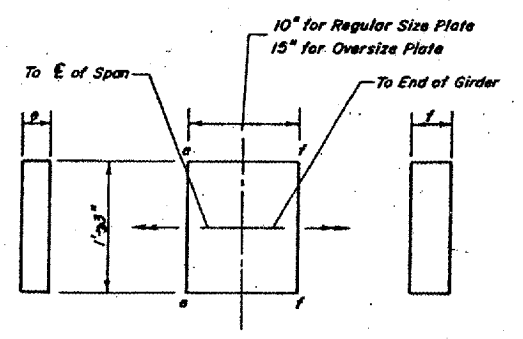
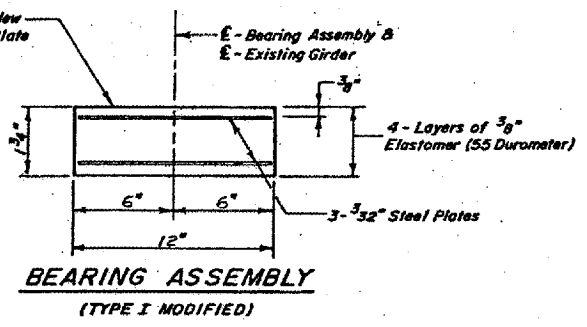
PIER NO.	GIRDER "A"		GIRDER "B"		GIRDER "C"		GIRDER "D"	
	e	f	e	f	e	f	e	f
20N	3/16	3/16	2 1/2	2 1/2	2 1/2	2 1/2	3 1/8	3 1/8
19N	5/8	5/8	2 9/16	2 9/16	2 9/16	2 9/16	5/8	5/8
18N	5/8	5/8	2 9/16	2 9/16	2 9/16	2 9/16	5/8	5/8
17N	5/8	5/8	2 9/16	2 9/16	2 9/16	2 9/16	5/8	5/8
16N	5/8	5/8	2 9/16	2 9/16	2 9/16	2 9/16	5/8	5/8
15N	5/8	5/8	2 9/16	2 9/16	2 9/16	2 9/16	5/8	5/8
14N	5/8	5/8	2 9/16	2 9/16	2 9/16	2 9/16	5/8	5/8
13N	5/8	5/8	2 9/16	2 9/16	2 9/16	2 9/16	5/8	5/8
12N	5/8	5/8	2 9/16	2 9/16	2 9/16	2 9/16	5/8	5/8
11N	5/8	5/8	2 9/16	2 9/16	2 9/16	2 9/16	5/8	5/8
10N	5/8	5/8	2 9/16	2 9/16	2 9/16	2 9/16	5/8	5/8
9N	5/8	5/8	2 9/16	2 9/16	2 9/16	2 9/16	5/8	5/8
8N	5/8	5/8	2 9/16	2 9/16	2 9/16	2 9/16	5/8	5/8
7N	5/8	5/8	2 9/16	2 9/16	2 9/16	2 9/16	5/8	5/8
6N	5/8	5/8	2 9/16	2 9/16	2 9/16	2 9/16	5/8	5/8
5N	3/16	3/16	2 1/2	2 1/2	2 1/2	2 1/2	3 1/8	3 1/8
4N	3/16	3/16	2 1/2	2 1/2	2 1/2	2 1/2	3 1/8	3 1/8
3N	1/2	1/2	2 1/8	2 1/8	2 1/8	2 1/8	1/2	1/2
2N	1/4	5/8	2 3/16	2 3/16	2 3/16	2 3/16	1/4	1 3/16
1N	1/4	1 1/16	2 7/16	2 7/16	2 7/16	2 7/16	1/4	1 1/16
A	1 5/16	2	3 7/16	3 7/16	3 7/16	3 7/16	1 5/16	1 1/16

Calculated Weight of New Sole Plates, including Retainer Angles, Retainer Bars and Shim Plates = 8670 Lbs. (Incidental to Expansion Bearing Replacement)

● Indicates using extra long sole plate to cover deteriorated flange area.

Note that of the total 84 sole plates listed above, all except 12 sole plates (located at Piers A, 1N and 2N) are of constant thickness.

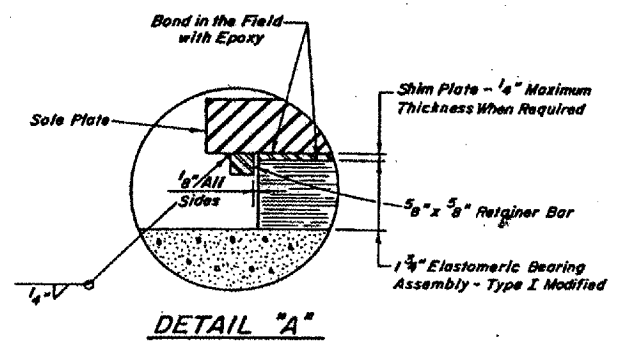
Table thickness given in inches.



**SOLE PLATE DETAILS (SEE TABLES - THIS SHEET)**

**SIDE RETAINER (120 - REQUIRED)**

Note: Side Retainer Angles are incidental to Expansion Bearing Replacement.



**BILL OF MATERIAL**

DESCRIPTION	UNIT	NUMBER OF LOCATIONS OCCURRING		
		ILLINOIS SPANS	MISSOURI SPANS	TOTAL
Expansion Bearing Replacement	Each	84	52	136
Elastomeric Bearing Assembly - Type I Modified	Each	84	52	136

BRIDGE NO. 1  
STRUCTURE 002-0005  
FOR INFORMATION ONLY

**APPROACH SPANS - GIRDER EXPANSION BEARING REHABILITATION**  
F.A.U.S. Rte. 9811 (U.S. 60 & 62)  
S.B.I. 150 SECTION 138D-BR  
ALEXANDER CO., IL. MISSISSIPPI CO., MO.  
STATION 28+13.08

DESIGNED: *[Signature]*  
CHECKED: *[Signature]*  
DRAWN: *[Signature]*  
CHECKED: *[Signature]*