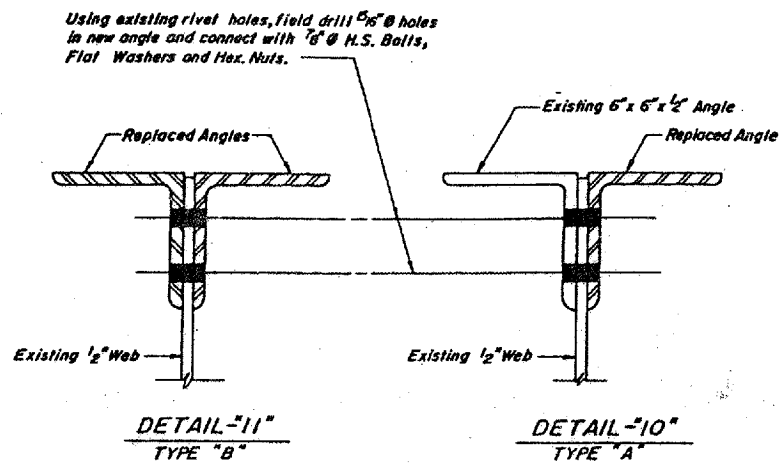


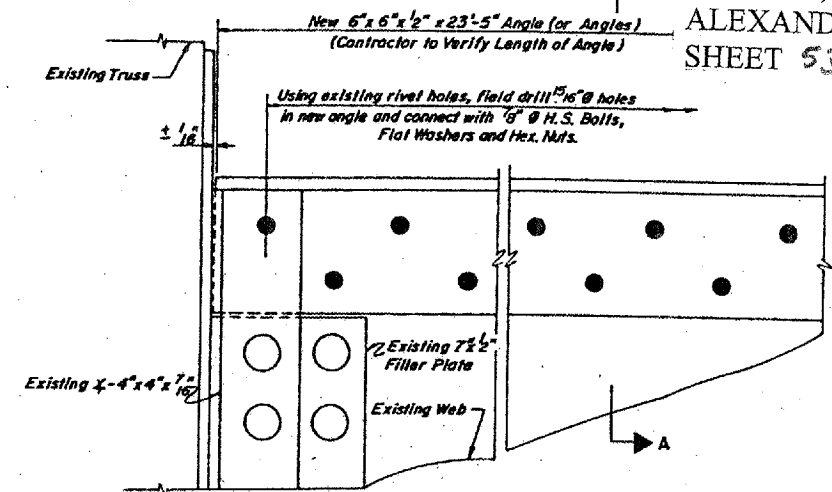
ELEVATION  
EXISTING



DETAIL-"11"  
TYPE "B"

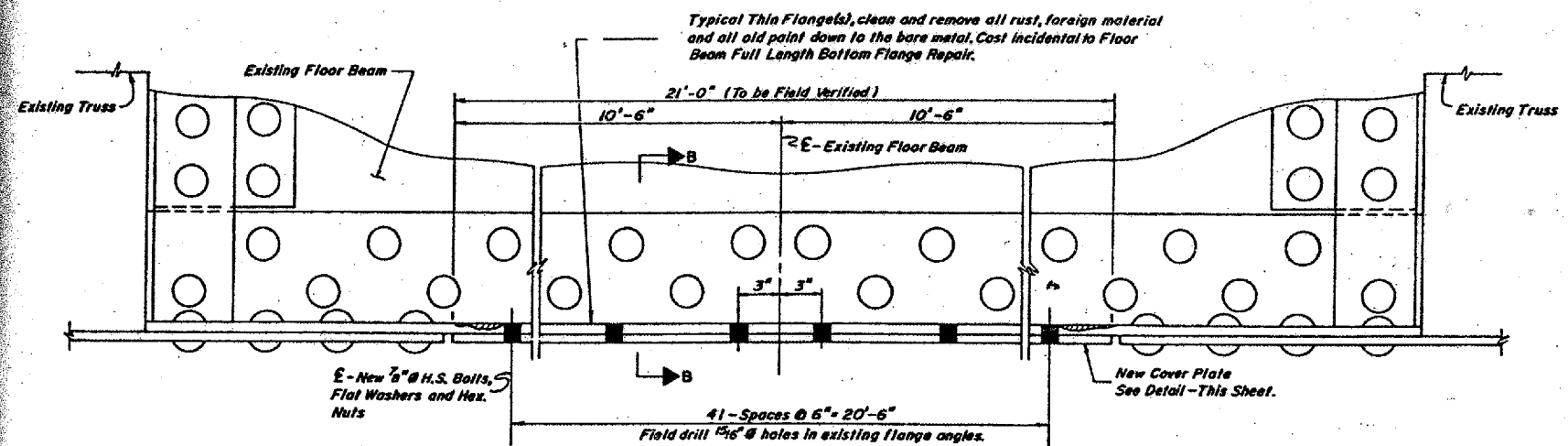
DETAIL-"10"  
TYPE "A"

SECTION A-A



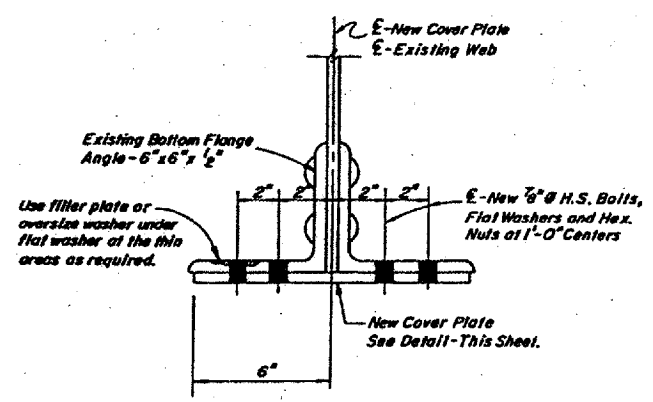
ELEVATION  
REPAIRED

FLOOR BEAM TOP FLANGE REPLACEMENT TYPE "A" & "B" - DETAILS "10" & "11"

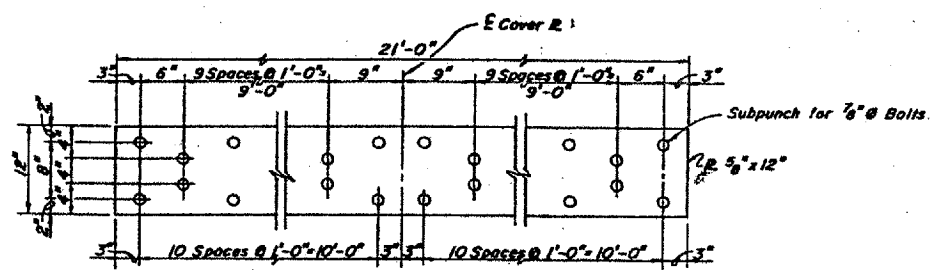


ELEVATION

FLOOR BEAM FULL LENGTH BOTTOM FLANGE REPAIR - DETAIL "13"



SECTION B-B



COVER PLATE DETAIL

NOTE:  
Work This Sheet with Sheets 43 and 45.

DESIGNED	C.P.L.
CHECKED	R.E.C.
DRAWN	C.P.L.
CHECKED	R.E.C. - F.S.

BRIDGE NO. 1  
STRUCTURE 002-0005  
FOR INFORMATION ONLY

TRUSS SPAN  
FLOOR BEAM REPAIR DETAIL  
F.A.U.S. Rte. 9811 (U.S. 60 B 62)  
S.B.I. 150 SECTION 138D-BR  
ALEXANDER CO., IL. MISSISSIPPI CO., MO.  
STATION 28+13.08