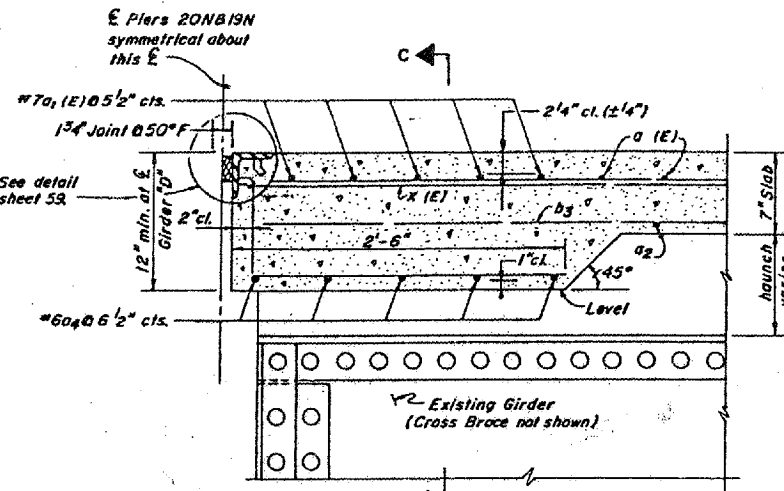
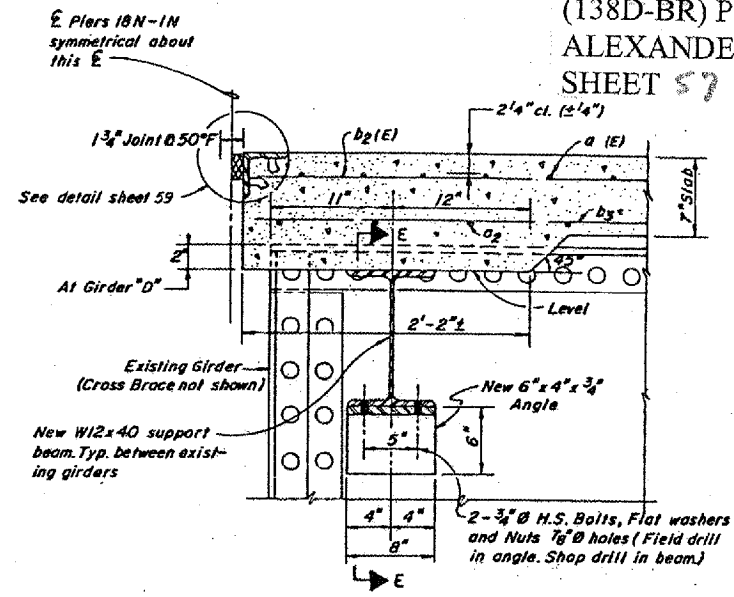


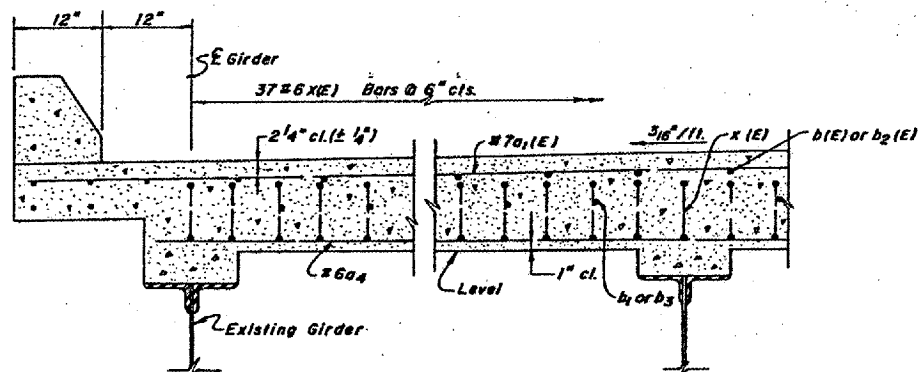
SECTION A-A



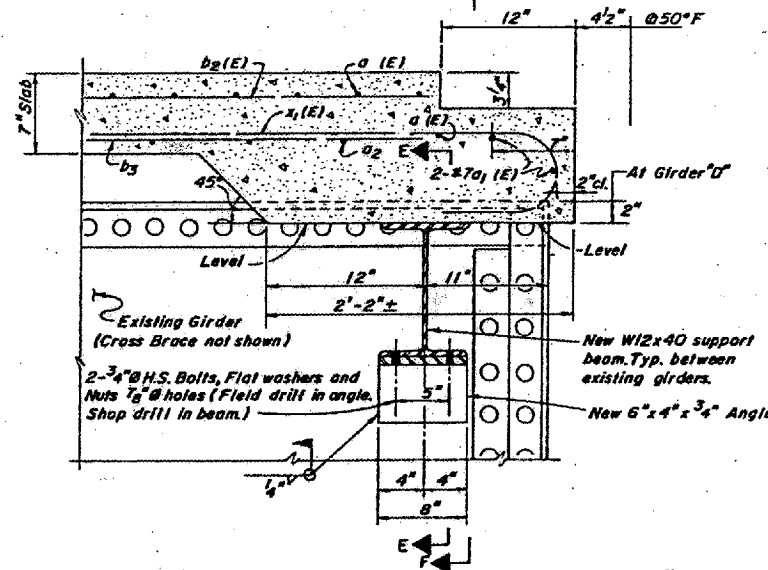
SECTION B-B  
(AT PIERS 19N & 20N)



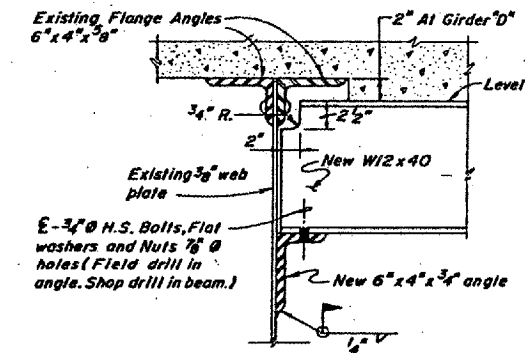
SECTION B-B  
(AT PIERS 1N - 18N)



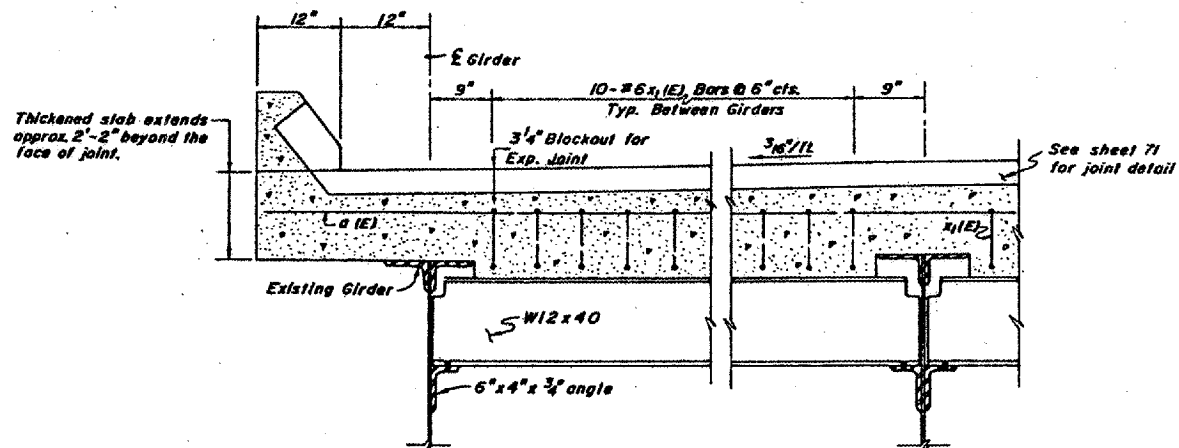
SECTION C-C  
PIER SHOWN - ABUT. SIMILAR



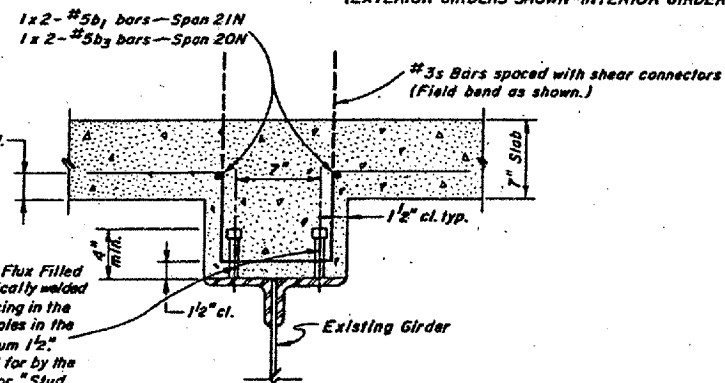
SECTION D-D  
TYP SPANS IN-19N



SECTION E-E  
(EXTERIOR GIRDERS SHOWN - INTERIOR GIRDERS SIMILAR)



SECTION F-F



SECTION G-G  
TYP SPANS IN-19N

Total Number of Shear Connectors  
Required for Illinois approach  
spans = 10248

3/4 inch Granular or Solid Flux Filled  
Headed Studs automatically welded  
to Flange - Adjust spacing in the  
field to miss existing holes in the  
flange angles by minimum 1/2 inch.  
This work shall be paid for by the  
Unit Bid Price, Each, for "Stud  
Shear Connectors."

DESIGNED	<i>Schmitt</i>
CHECKED	<i>R.E.C.</i>
DRAWN	<i>C.F.L.</i>
CHECKED	<i>R.E.C.-E.S.</i>

BRIDGE NO. 1  
STRUCTURE 002-0005  
FOR INFORMATION ONLY

ILLINOIS APPRO. SPANS  
DECK DETAILS  
CONCRETE FLOOR ALTERNATE  
F.A.U.S. Rte. 9811 (U.S. 60 & 62)  
S.B.I. 150 SECTION 138D-BR  
ALEXANDER CO., IL MISSISSIPPI CO., MO.  
STATION 28 + 13.08