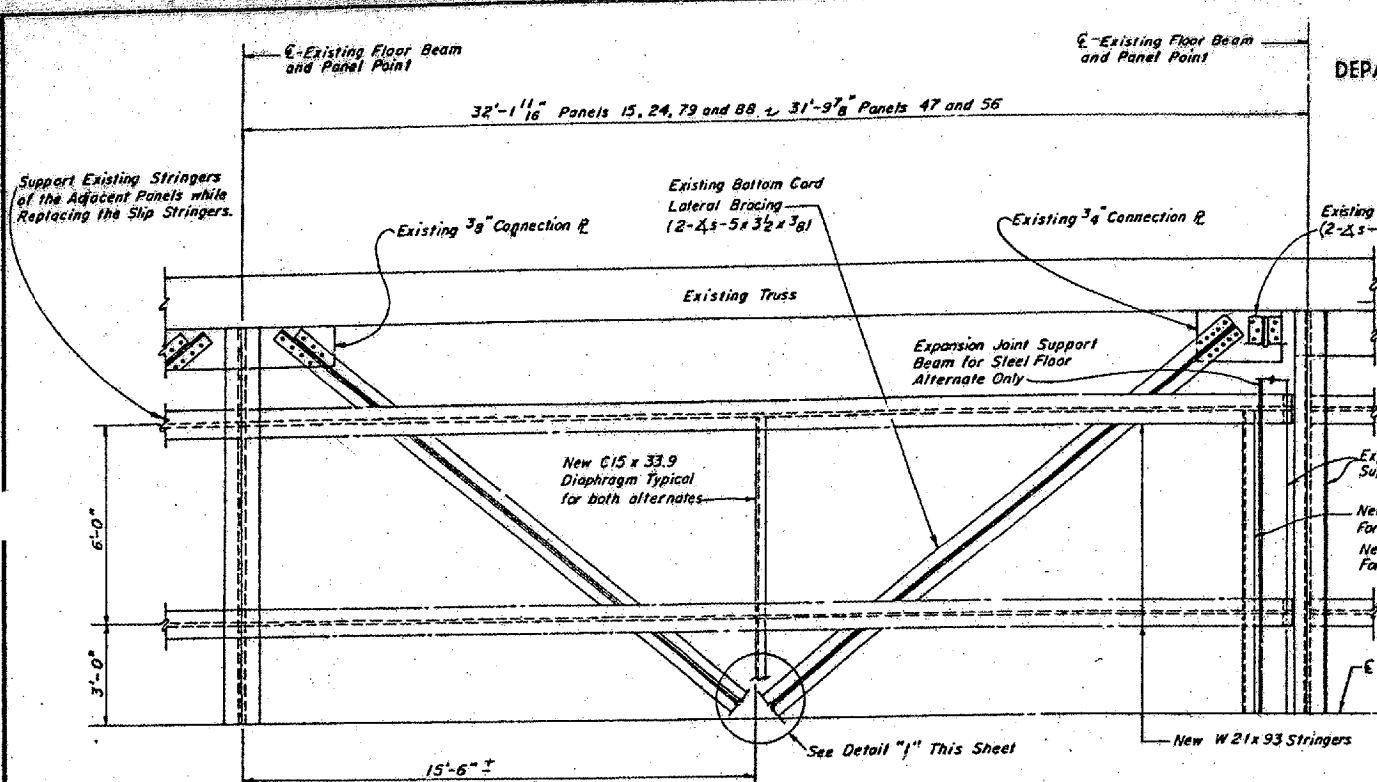


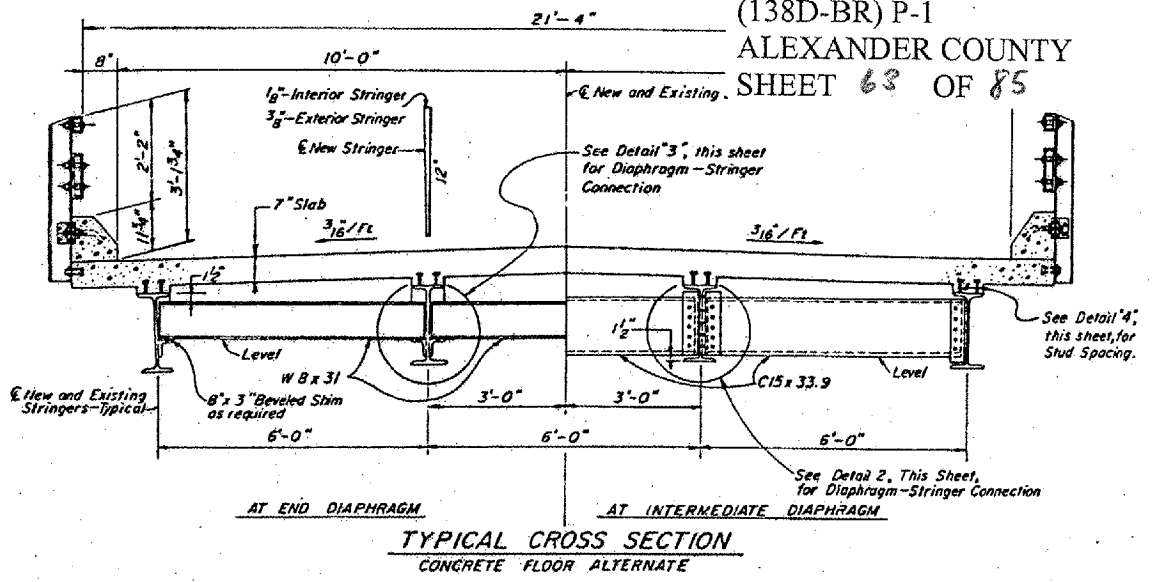
STATE OF ILLINOIS
DEPARTMENT OF TRANSPORTATION

CONTRACT 98939
U.S. RTE. 60 & U.S. RTE. 62
(138D-BR) P-1
ALEXANDER COUNTY
SHEET 63 OF 85

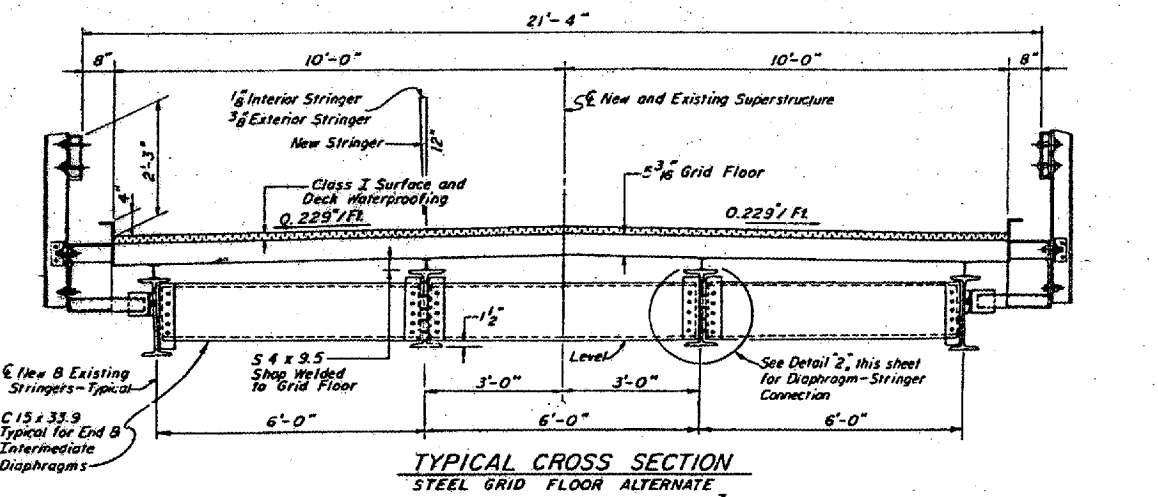


HALF FRAMING PLAN (DECK REMOVED)
PANELS 15, 47 & 79 SHOWN, PANELS 24, 55 & 88 OPPOSITE

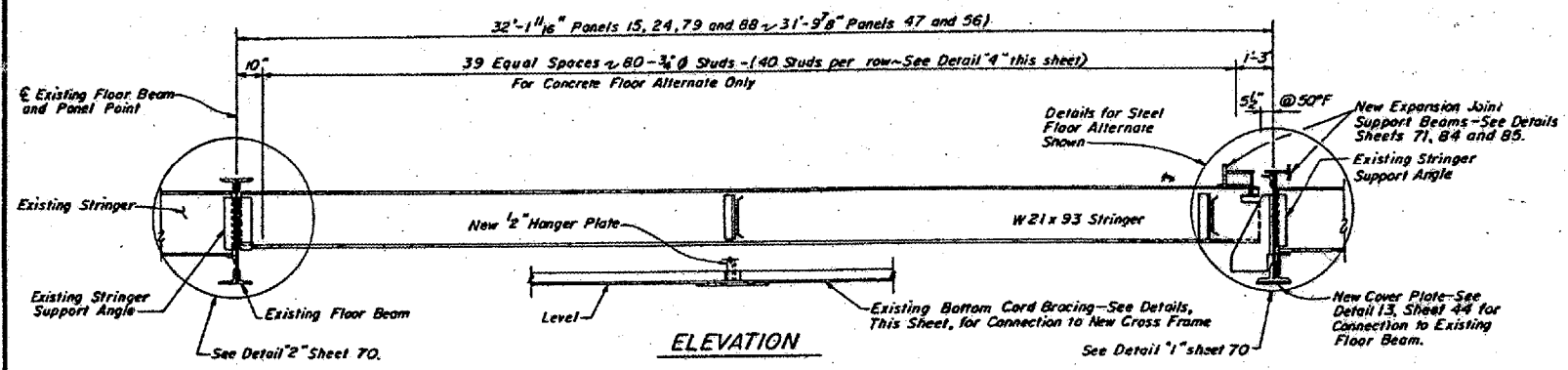
NOTE:
This work shall be paid for by the Unit Price Bid each for "Slip Stringer Span Removal & Replacement" Concrete Floor Alternate or "Slip Stringer Span Removal & Replacement" Steel Grid Floor Alternate and "Elastomeric Bearing Assembly Type III" See Special Provisions.



TYPICAL CROSS SECTION CONCRETE FLOOR ALTERNATE

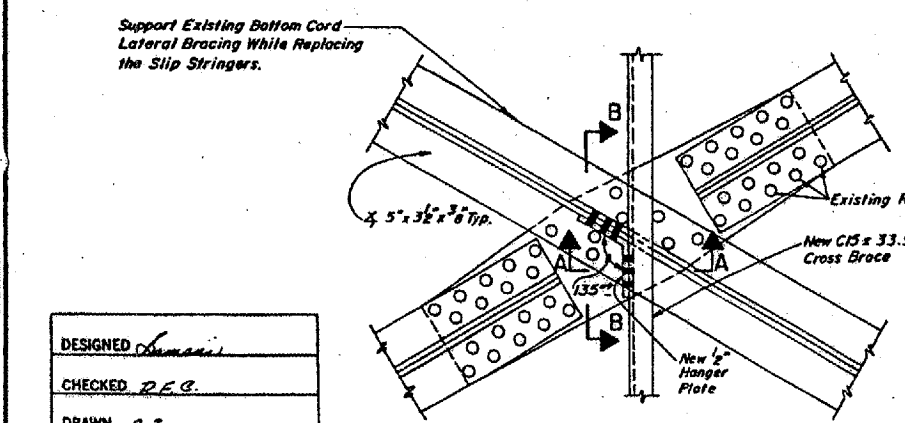


TYPICAL CROSS SECTION STEEL GRID FLOOR ALTERNATE

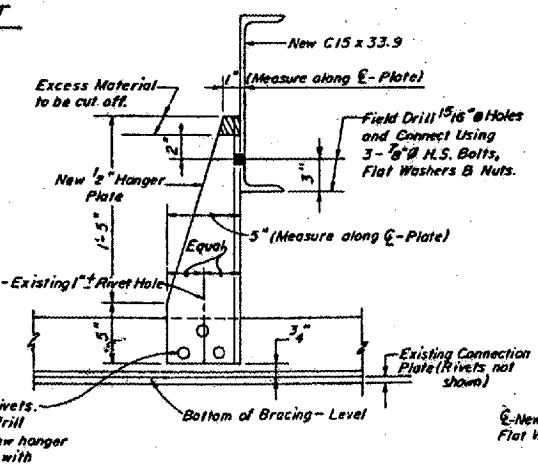


ELEVATION

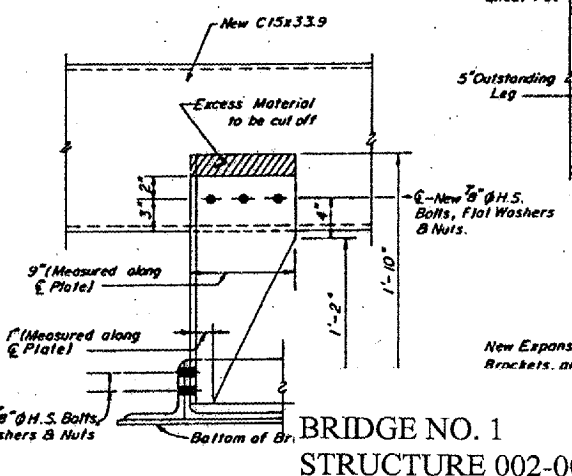
SLIP STRINGER SPAN REMOVAL AND REPLACEMENT



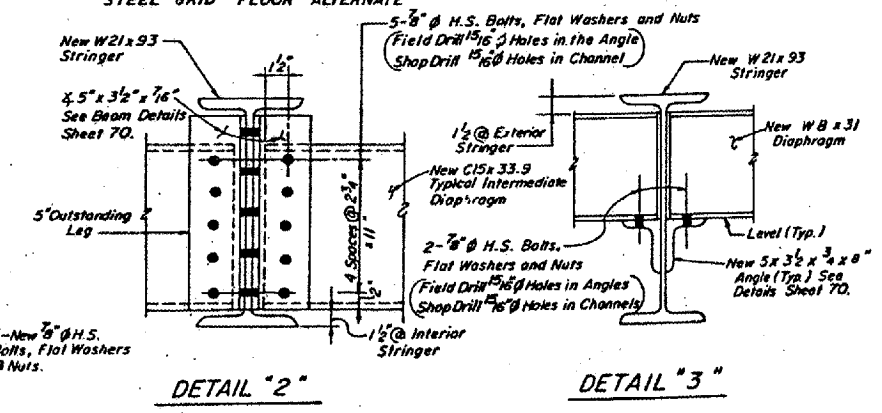
DETAIL "1"



SECTION A-A



SECTION B-B



DETAIL "2"

DETAIL "3"

NOTE:
New Expansion Joint Support Beams, Brackets, and Floor Beam Bottom

DESIGNED	Sumner
CHECKED	D.C.C.
DRAWN	A.E.
CHECKED	R.P.R. - F.S.

BRIDGE NO. 1
STRUCTURE 002-0005
FOR INFORMATION ONLY

SLIP STRINGER SPAN DETAILS
F.A.U.S. Rte. 9811 (U.S. 60 & 62)
S.B.I. 150 SECTION 138 D-BR
ALEXANDER CO., IL. MISSISSIPPI CO., MO.
STATION 28 + 13.08