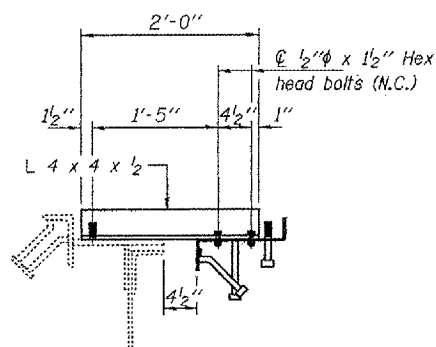
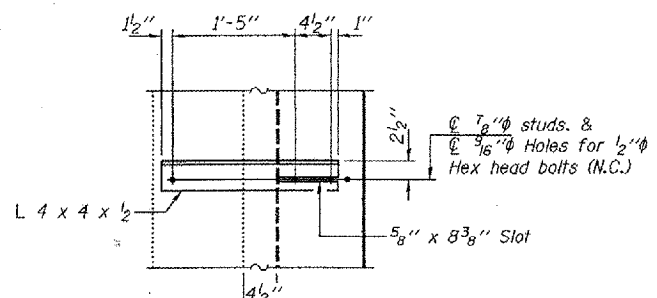


STATE OF ILLINOIS  
DEPARTMENT OF TRANSPORTATION

CONTRACT 98939  
U.S. RTE. 60 & U.S. RTE. 62  
(138D-BR) P-1  
ALEXANDER COUNTY  
SHEET 78 OF 85



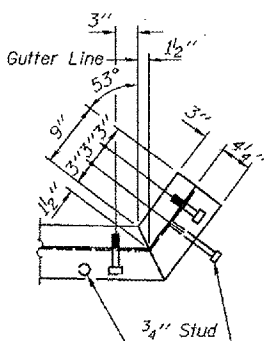
CROSS SECTION



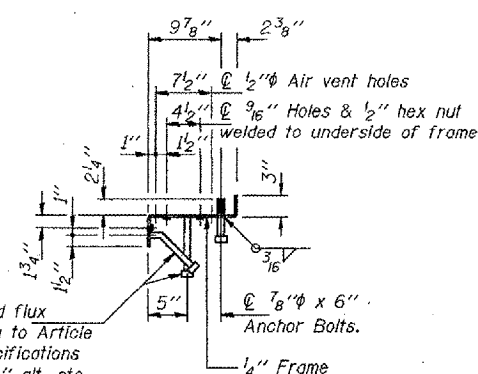
PLAN

**ALIGNMENT ANGLE DETAIL**

Note: Alignment System shall be in place prior to the deck pour and remain until the concrete has cured.

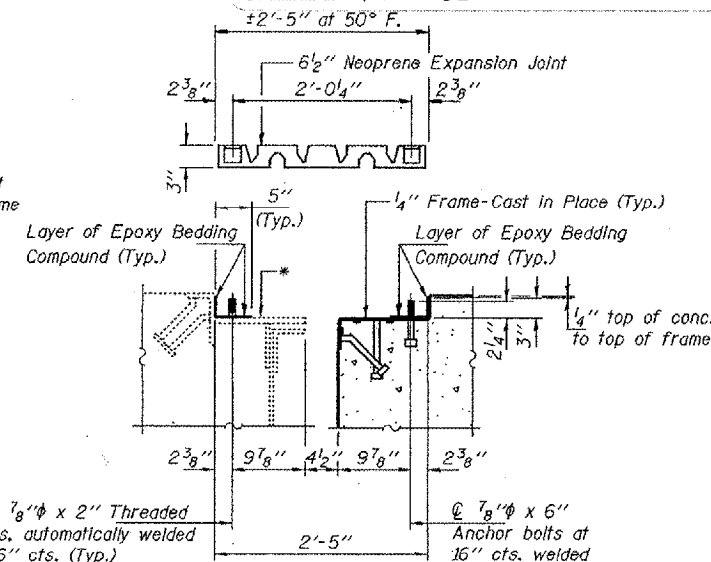


END FRAME TREATMENT



SIDE OPPOSITE  
FLOORBEAM  
FRAME DETAIL

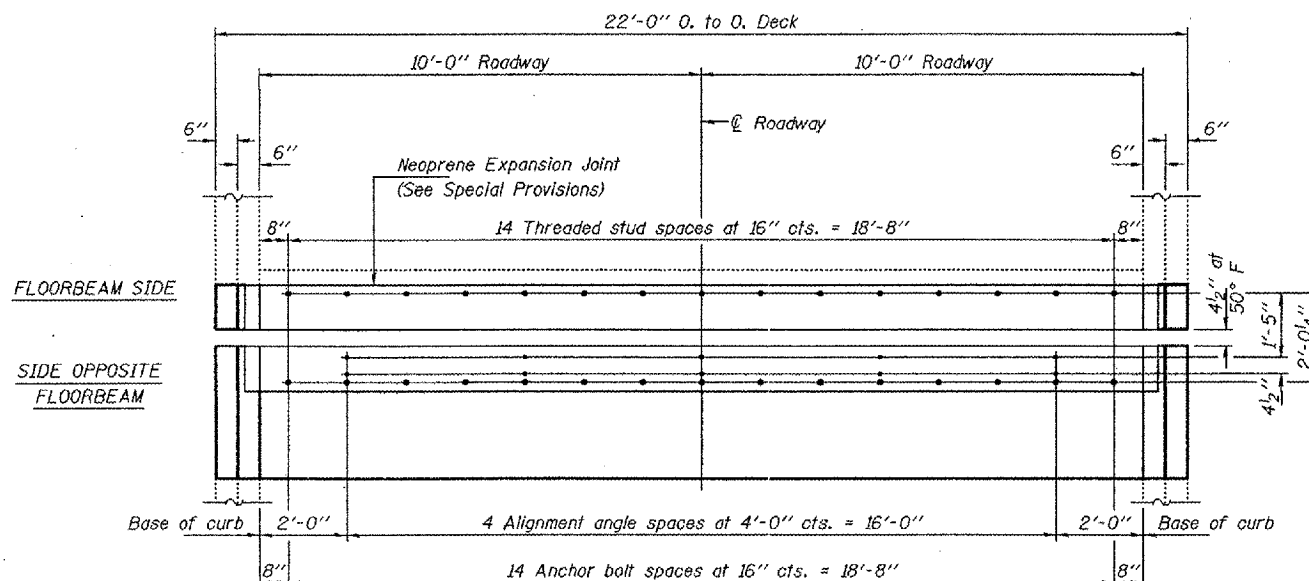
Cost of Frame is included with Neoprene Expansion Joint (6 1/2'')



FLOORBEAM SIDE SIDE OPPOSITE  
FLOORBEAM

**SECTION THRU NEOPRENE  
EXPANSION JOINT (6 1/2'')**  
**(TRANSFLEX MODEL 650)**

\* After removal of the existing polymer concrete, all existing threaded studs welded to the top flange shall be removed, and the remaining weld shall be ground smooth. The steel surface shall be blast cleaned according to SSPC-SP10 and primed with organic zinc rich paint. Cost included with Neoprene Expansion Joint, 6 1/2'.



**PLAN NEOPRENE EXPANSION JOINT**

(Looking south at Pier A & Panel Points 15, 47 & 79.  
Pier H & Panel Points 23, 55 & 87 similar by rotation)

DESIGNED	DAB
CHECKED	JSB
DRAWN	baliva
CHECKED	DAB JSB

MARCH 14, 2005  
EXAMINED *John A. Morris*  
ENGINEER OF STRUCTURAL SERVICES  
PASSED *Ralph E. Anderson*  
ENGINEER OF BRIDGES AND STRUCTURES

BRIDGE NO. 1  
STRUCTURE 002-0005  
FOR INFORMATION ONLY

**BRIDGE REPAIRS**  
**OLD CAIRO BRIDGE OVER MISSISSIPPI RIVER**  
**FAS RTE. 944 (US 60 & 62)**  
**SEC. (138D-BR)I-5**  
**ALEXANDER COUNTY**  
**SN 002-0005**