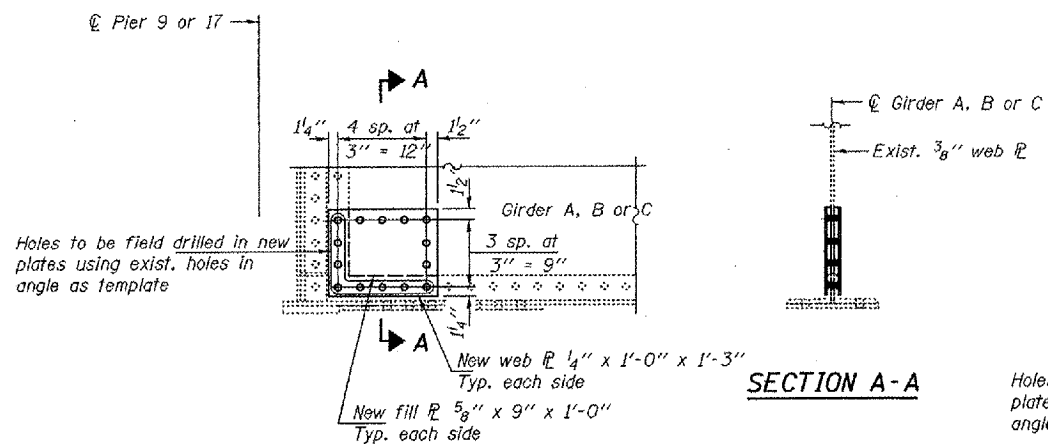


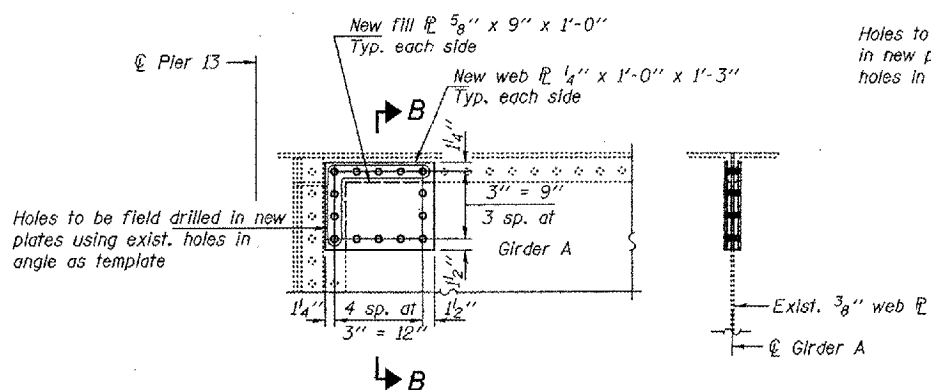
STATE OF ILLINOIS  
DEPARTMENT OF TRANSPORTATION

CONTRACT 98939  
U.S. RTE. 60 & U.S. RTE. 62  
(138D-BR) P-1  
ALEXANDER COUNTY  
SHEET 79 OF 85



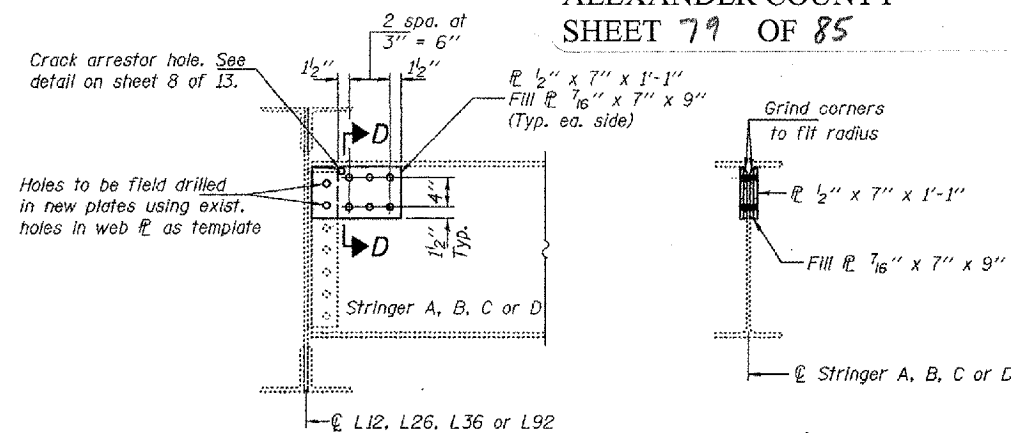
**ELEVATION**  
Looking east

**REPAIR 7**  
Pier 9, Girder B  
Pier 17, Girders B & C



**ELEVATION**  
Looking east

**REPAIR 7**

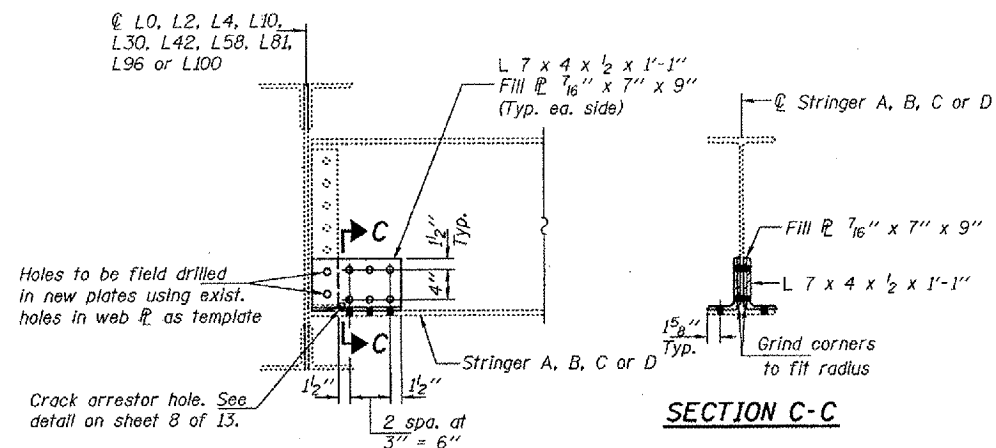


**ELEVATION - STRINGER END**

L12, looking west  
L26, Stringer A, looking west  
L26, Stringer D, looking east  
L36, looking east  
L92, looking west

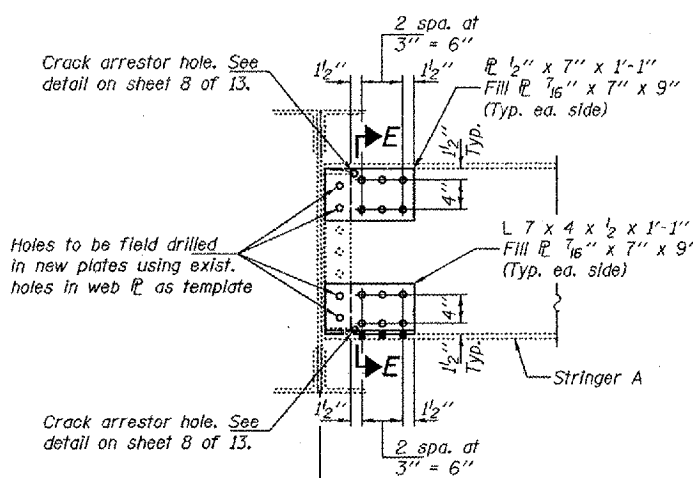
**REPAIR 7**

L12, Stringer B  
L26, Stringers A & D  
L36, Stringer A  
L92, Stringers C & D



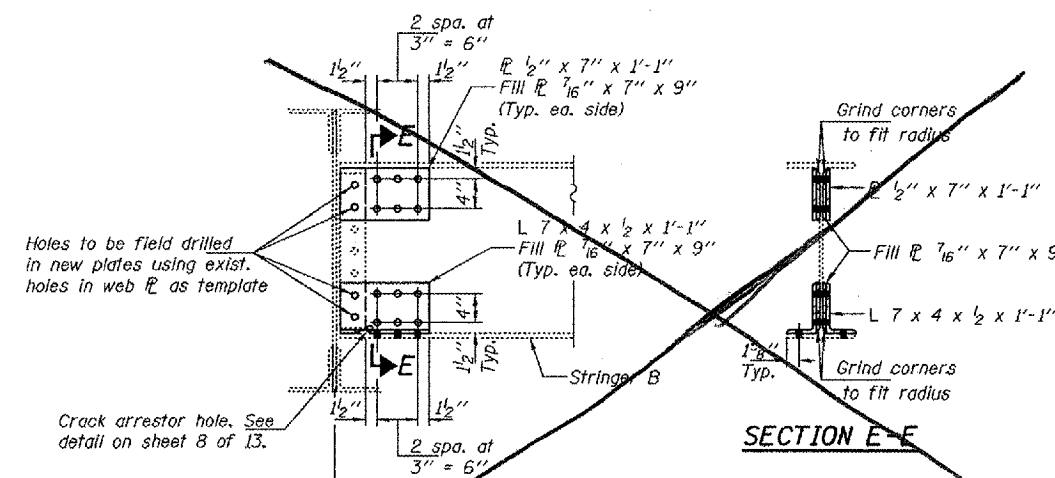
**ELEVATION - STRINGER END**  
**REPAIR 7**

Looking east except as noted:  
L4, looking west  
L10, Stringer A, looking west  
L10, Stringer D, looking east



**ELEVATION - STRINGER END**  
(Looking west)

**REPAIR 7**



**ELEVATION - STRINGER END**  
(Looking west)

**REPAIR 7**

Note:  
Temporary shoring & cribbing will not be required provided that upper & lower repairs are not done simultaneously.

DESIGNED	DAB
CHECKED	JSB
DRAWN	ballva
CHECKED	DAB JSB

MARCH 14, 2005  
EXAMINED *John A. Morris*  
ENGINEER OF STRUCTURAL SERVICES  
PASSED *Ralph E. Anderson*  
ENGINEER OF BRIDGES AND STRUCTURES

BRIDGE NO. 1  
STRUCTURE 002-0005  
FOR INFORMATION ONLY

**BRIDGE REPAIRS**  
**OLD CAIRO BRIDGE OVER MISSISSIPPI RIVER**  
FAS RTE. 944 (US 60 & 62)  
SEC. (138D-BR)I-5  
ALEXANDER COUNTY  
SN 002-0005