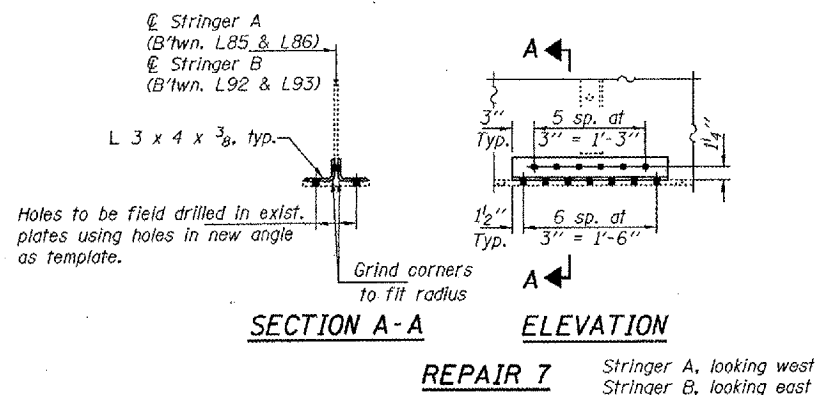


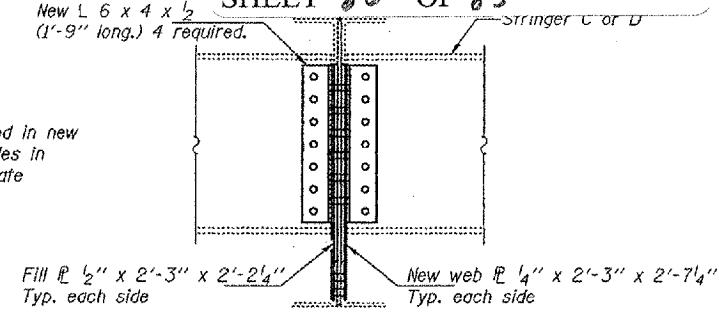
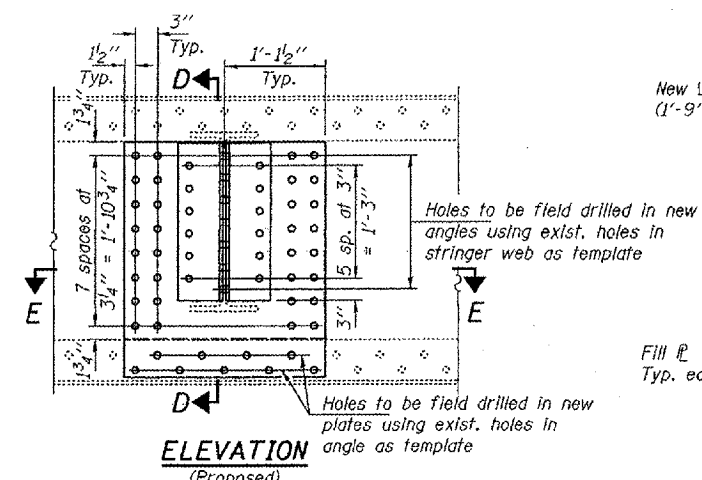
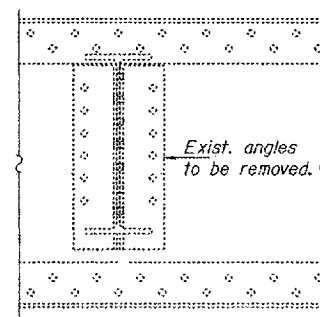
STATE OF ILLINOIS  
DEPARTMENT OF TRANSPORTATION

CONTRACT 98939  
U.S. RTE. 60 & U.S. RTE. 62  
(138D-BR) P-1

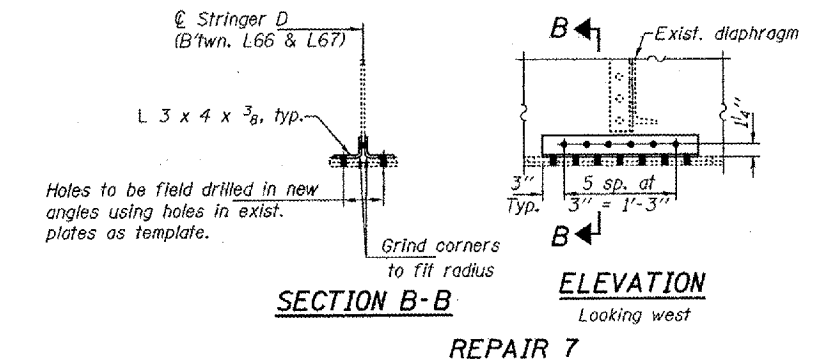
ALEXANDER COUNTY  
SHEET 80 OF 85



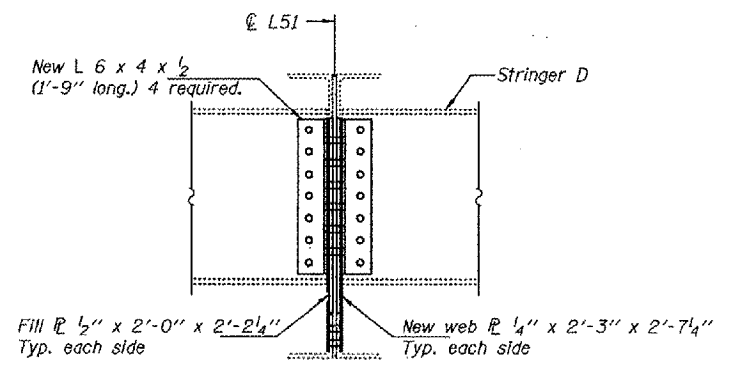
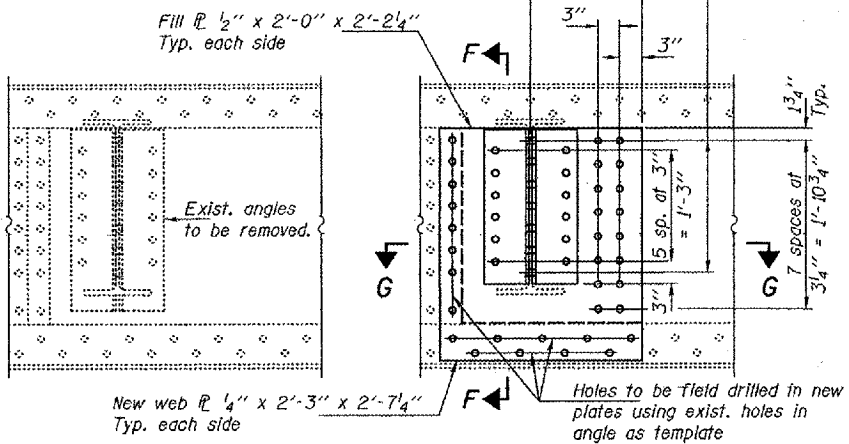
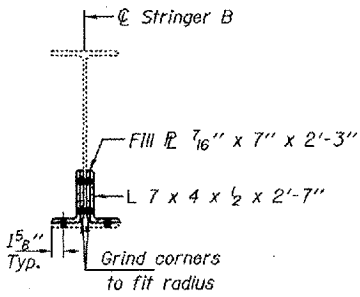
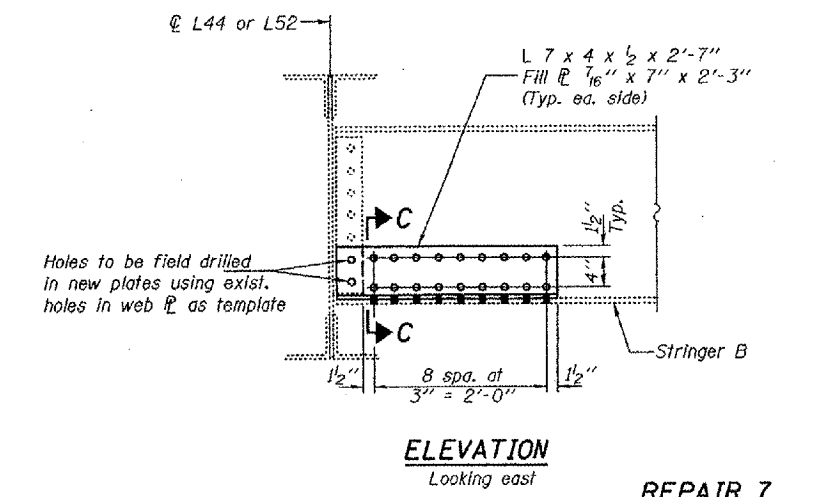
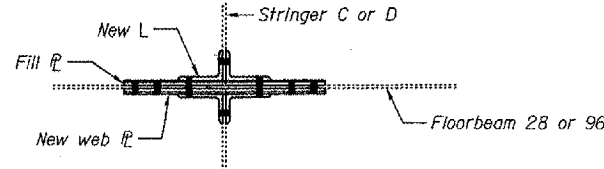
Stringer A, looking west  
Stringer B, looking east



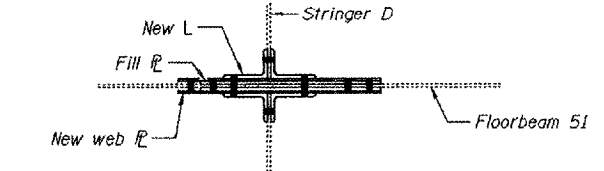
Note:  
Temporary shoring & cribbing  
of stringer end is required.



Looking west



Note:  
Temporary shoring & cribbing  
of stringer end is required.



BRIDGE REPAIRS  
OLD CAIRO BRIDGE OVER MISSISSIPPI RIVER  
FAS RTE. 944 (US 60 & 62)  
SEC. (138D-BR)I-5  
ALEXANDER COUNTY  
SN 002-0005

BRIDGE NO. 1  
STRUCTURE 002-0005  
FOR INFORMATION ONLY

DESIGNED	DAB
CHECKED	JSB
DRAWN	baliva
CHECKED	DAB JSB

MARCH 14, 2005  
EXAMINED *John A. Morris*  
ENGINEER OF STRUCTURAL SERVICES  
PASSED *Ralph E. Anderson*  
ENGINEER OF BRIDGES AND STRUCTURES