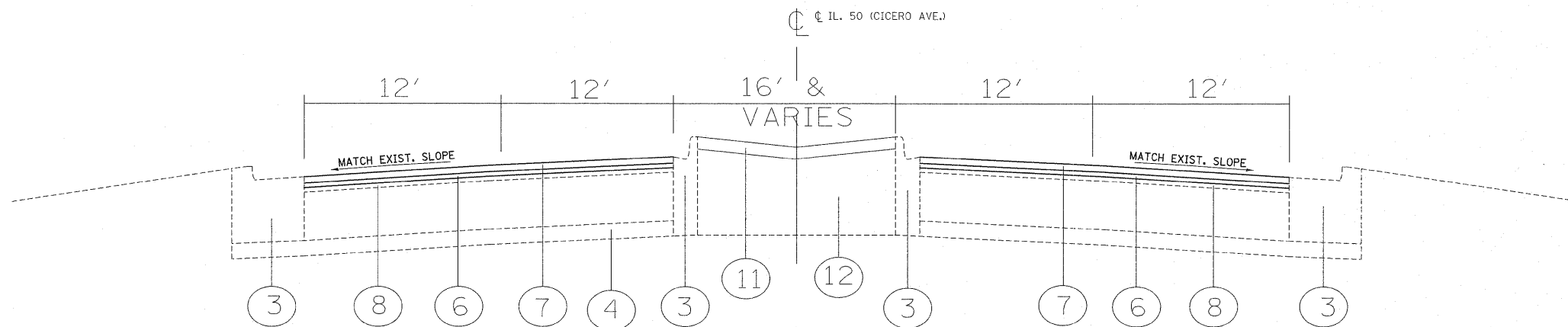


EXISTING TYPICAL CROSS SECTION
IL. ROUTE 50 (STA. 70+00 TO STA. 98+41)

LEGEND

1. EXISTING P.C.C PAVEMENT, ± 10"
2. EXISTING HMA SURFACE COURSE, ± 3"
3. EXISTING COMB. CONCRETE CURB
4. EXISTING SUB-BASE GRANULAR MATERIAL, TYPE A, 4"
5. PROPOSED HMA SURFACE REMOVAL (2 1/2")
6. PROPOSED POLYMERIZED LEVELING BINDER (MACHINE METHOD), IL-4.75, N50 (3/4")
7. PROPOSED POLYMERIZED HMA SURFACE COURSE, MIX "F", N90 (1 3/4 ")
8. EXISTING HMA SURFACE OVERLAY AFTER MILLING, ± 1/2"
9. EXISTING CONCRETE MEDIAN SURFACE TO BE REMOVED (SEE PLAN SHEETS FOR LOCATIONS)
10. EXISTING HMA SHOULDER
11. PROPOSED CONCRETE SURFACE MEDIAN, 4" OR PROP. TOPSOIL FURNISH AND PLACE, 12" PROP. SEEDING, CLASS 2A PROP. EROSION CONTROL BLANKET (SEE PLAN SHEETS FOR LOCATIONS)
12. EXISTING SAND FILL



PROPOSED TYPICAL CROSS SECTION
IL. ROUTE 50 (STA. 70+00 TO STA. 98+41)

FILE NAME = c:\pwwork\pwwork\gull\oumefp\d0208043\163110-sht-pln.dgn	USER NAME = gulloumefp	DESIGNED -	REVISED -	STATE OF ILLINOIS DEPARTMENT OF TRANSPORTATION	IL. RTE. 50 (147TH ST. TO 175TH ST.) TYPICAL SECTIONS				F.A.P. RTE.	SECTION	COUNTY	TOTAL SHEETS	SHEET NO.
	163110-sht-pln.dgn	DRAWN -	REVISED -						350	101 EXT-RS-2	COOK	33	5
	PLOT SCALE = 50,0001' / in.	CHECKED -	REVISED -		SCALE: SHEET NO. OF SHEETS STA. TO STA.					CONTRACT NO.60LO3			
	PLOT DATE = 11/3/2011	DATE -	REVISED -		FED. ROAD DIST. NO. 1 ILLINOIS FED. AID PROJECT								