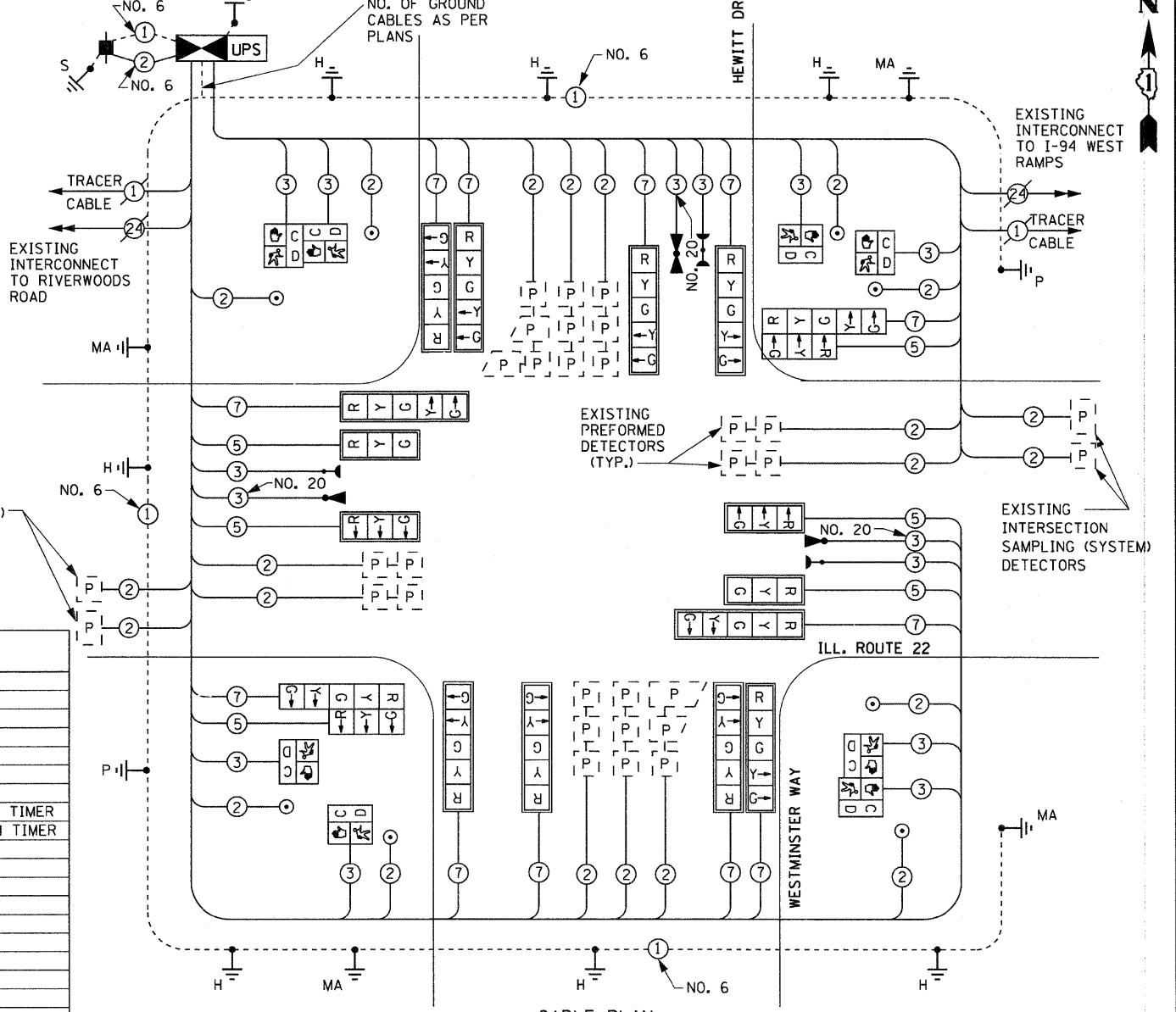


**SCHEDULE OF QUANTITIES**

UNIT	QTY.	ITEM
EACH	1	MAINTENANCE OF EXISTING TRAFFIC SIGNAL INSTALLATION
EACH	1	FULL-ACTUATED CONTROLLER AND CABINET, TYPE IV, SPECIAL
EACH	1	TRANSCEIVER - FIBER OPTIC
EACH	6	DRILL EXISTING HANDHOLE
EACH	4	SIGNAL HEAD, L.E.D., 1-FACE, 3-SECTION, MAST ARM MOUNTED
EACH	10	SIGNAL HEAD, L.E.D., 1-FACE, 5-SECTION, MAST ARM MOUNTED
EACH	2	SIGNAL HEAD, L.E.D., 2-FACE, 1-3 SECTION, 1-5 SECTION, BRACKET MOUNTED
EACH	4	PEDESTRIAN SIGNAL HEAD, L.E.D., 1-FACE, BRACKET MOUNTED WITH COUNTDOWN TIMER
EACH	2	PEDESTRIAN SIGNAL HEAD, L.E.D., 2-FACE, BRACKET MOUNTED WITH COUNTDOWN TIMER
EACH	14	TRAFFIC SIGNAL BACKPLATE, LOUVERED, ALUMINUM
EACH	14	INDUCTIVE LOOP DETECTOR
EACH	3	LIGHT DETECTOR
EACH	1	LIGHT DETECTOR AMPLIFIER
EACH	8	PEDESTRIAN PUSH-BUTTON
EACH	1	REMOVE EXISTING TRAFFIC SIGNAL EQUIPMENT
EACH	1	REMOVE EXISTING CONCRETE FOUNDATION
SQ M	4.45	SIGN PANEL - TYPE I
SQ M	2.78	SIGN PANEL - TYPE II
METER	9	UNDERGROUND CONDUIT, GALVANIZED STEEL, 65 MM DIA.
METER	13	UNDERGROUND CONDUIT, GALVANIZED STEEL, 75 MM DIA.
METER	495	ELECTRIC CABLE IN CONDUIT, SIGNAL NO. 14 2C
METER	747	ELECTRIC CABLE IN CONDUIT, SIGNAL NO. 14 3C
METER	447	ELECTRIC CABLE IN CONDUIT, SIGNAL NO. 14 5C
METER	819	ELECTRIC CABLE IN CONDUIT, SIGNAL NO. 14 7C
METER	1124	ELECTRIC CABLE IN CONDUIT, LEAD-IN, NO. 14 1 PAIR
METER	26	ELECTRIC CABLE IN CONDUIT, SERVICE, NO. 6 2C
** EACH	2	TRAFFIC SIGNAL POST, GALVANIZED STEEL 4.85 METER (SPECIAL)
** EACH	1	STEEL MAST ARM ASSEMBLY AND POLE, 10.97 METER (SPECIAL)
** EACH	1	STEEL MAST ARM ASSEMBLY AND POLE, 15.24 METER (SPECIAL)
** EACH	1	STEEL COMBINATION MAST ARM ASSEMBLY AND POLE WITH DUAL MAST ARMS, 12.19 METER & 15.85 METER (SPECIAL)
** EACH	1	STEEL COMBINATION MAST ARM ASSEMBLY AND POLE WITH DUAL MAST ARMS, 11.58 METER & 16.76 METER (SPECIAL)
METER	2.4	CONCRETE FOUNDATION, TYPE A
METER	1.2	CONCRETE FOUNDATION, TYPE C
METER	17.8	CONCRETE FOUNDATION, TYPE E 900 MM DIAMETER
SQ M	9.2	TEMPORARY INFORMATION SIGNING
EACH	1	SERVICE INSTALLATION - POLE MOUNTED
EACH	7	GROUNDING EXISTING HANDHOLE FRAME AND COVER
EACH	1	UNINTERRUPTABLE POWER SUPPLY SPECIAL
METER	200	ELECTRIC CABLE IN CONDUIT, EQUIPMENT GROUNDING CONDUCTOR, NO. 6 1C
METER	236	ELECTRIC CABLE IN CONDUIT NO. 20 3/C, TWISTED, SHIELDED

\*\* UPGRADED MATERIAL AS PER SPECIFICATION BY STEINBERG LIGHTING



THE END OF THE TRACER CABLE SHALL BE CONTINUOUS AND EXTEND INTO THE CONTROLLER CABINET.

THE TRAFFIC SIGNAL CONTROL EQUIPMENT FOR THIS PROJECT SHALL BE "ECONOLITE ASC/3" TO MATCH THE EXISTING ADJACENT SYSTEM

CONTRACTOR TO VERIFY GROUNDING OF EXISTING TRAFFIC SIGNAL. IF SIGNAL IS NOT GROUNDED, CONTRACTOR SHALL GROUND TRAFFIC SIGNAL SYSTEM AS WELL AS EXISTING HANDHOLE FRAME AND COVER.

RESTORATION OF WORK AREA. RESTORATION OF THE TRAFFIC SIGNAL WORK AREA SHALL BE INCLUDED IN THE RELATED PAY ITEM SUCH AS FOUNDATION, CONDUIT, HANDHOLE, TRENCH AND BACKFILL, ETC., AND NO EXTRA COMPENSATION SHALL BE ALLOWED. ALL ROADWAY SURFACES SUCH AS SHOULDERS, MEDIAN, SIDEWALKS, PAVEMENT ETC. SHALL BE REPLACED IN KIND. ALL DAMAGE TO MOWED LAWNS SHALL BE REPLACED WITH AN APPROVED SOD, AND ALL DAMAGE TO UNMOWED FIELDS SHALL BE SEEDED IN ACCORDANCE WITH STANDARD SPECIFICATIONS 252 AND 250 RESPECTIVELY.

I.D.O.T. TRAFFIC SIGNAL INSTALLATION ELECTRICAL SERVICE REQUIREMENTS					TOTAL WATTAGE
TYPE	NO. LAMPS	WATTAGE INCAND	LED	% OPERATION	
SIGNAL (RED)	18	135	17	0.50	153
(YELLOW)	18	135	25	0.25	112.5
(GREEN)	18	135	15	0.25	67.5
ARROW	24	135	12	0.10	28.8
PED. SIGNAL	8	90	25	1.00	200
CONTROLLER	1	100	100	1.00	100
ILLUM. SIGN		84	35	0.05	
VIDEO SYSTEM		150		1.00	
FLASHER		135	25	0.50	
TOTAL =					661.8

ENERGY COST TO: VILLAGE OF LINCOLNSHIRE  
 ONE OLDE HALF DAY ROAD  
 LINCOLNSHIRE, ILLINOIS 60069  
 ENERGY SUPPLY: CONTACT: Ms. Dorothy Prosen  
 PHONE: 847-816-5323  
 COMPANY: ComEd-Libertyville

FILE NAME =	USER NAME = #USER#	DESIGNED - JDH	REVISED -
#FILE#		DRAWN - JDH	REVISED -
	PLOT SCALE = #SCALE#	CHECKED - DW	REVISED -
	PLOT DATE = #DATE#	DATE -	REVISED -

**STATE OF ILLINOIS  
 DEPARTMENT OF TRANSPORTATION**

**IL ROUTE 22 (HALF DAY RD) AT WESTMINSTER WAY / HEWITT RD  
 CABLE PLAN, SCHEDULE OF QUANTITIES & PHASE DESIGNATION DIAGRAM**

F.A. RTE. 337	SECTION 20-N-4	COUNTY LAKE	TOTAL SHEETS 18	SHEET NO. 11
SCALE: NTS			SHEET NO. 3 OF 3 SHEETS STA. TO STA.	
CONTRACT NO. 60L19				
ILLINOIS FED. AID PROJECT				