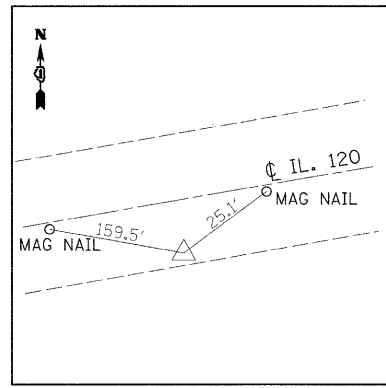
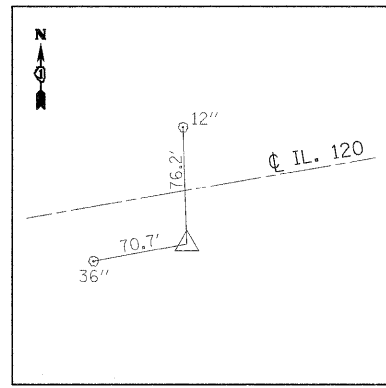


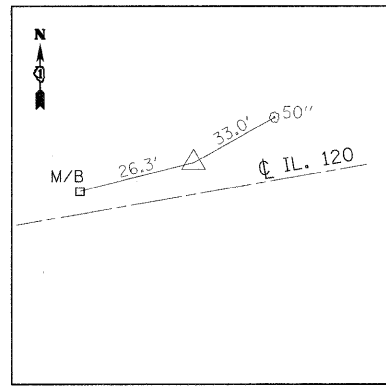
PT #100
MAG NAIL
STA. 100+00
N 2064448.5610
E 964092.4207



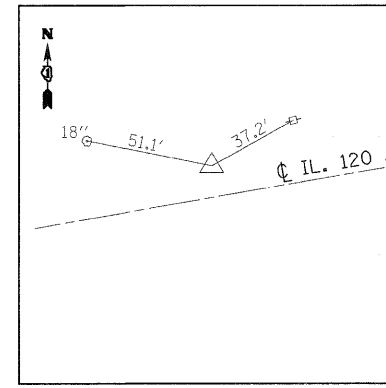
PT #1
I.R. W/CAP
N 2064690.5040
E 965040.0356



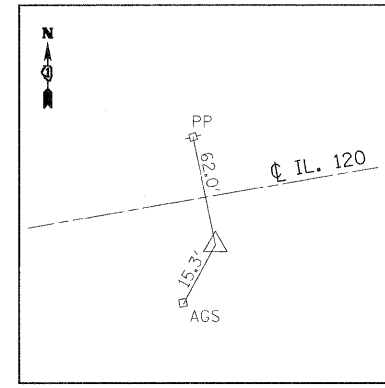
PT #2
I.R. W/CAP
N 2064822.6640
E 965.574.5472



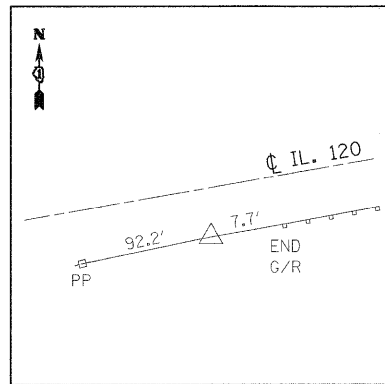
PT #3
MAG NAIL
N 2065.021.7030
E 966056.5594



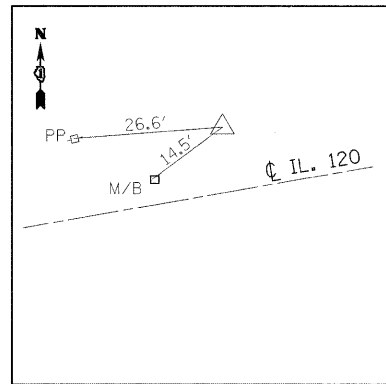
PT #4
I.R. W/CAP
N 2065268.2580
E 966618.1340



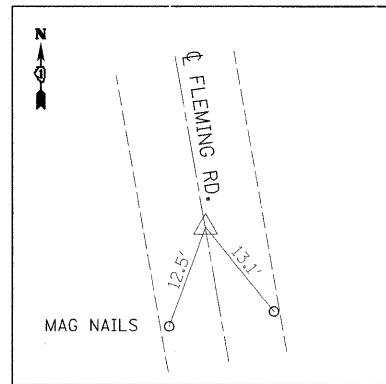
PT #5
I.R. W/CAP
N 2065590.7590
E 967089.9643



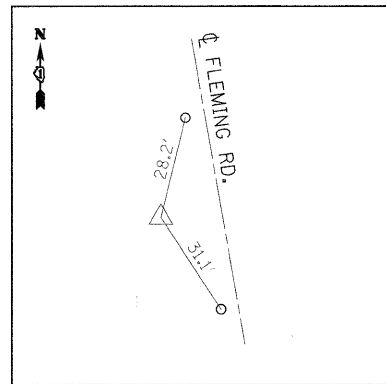
PT #6
I.R. W/CAP
N 2065906.9230
E 967349.9437



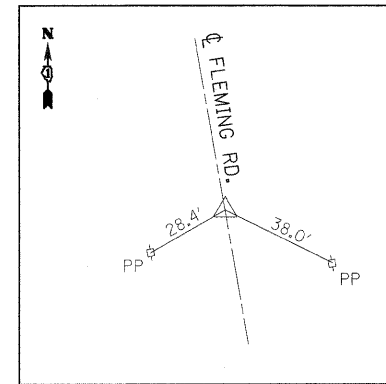
PT #7
MAG NAIL
N 2066535.8620
E 967606.2999



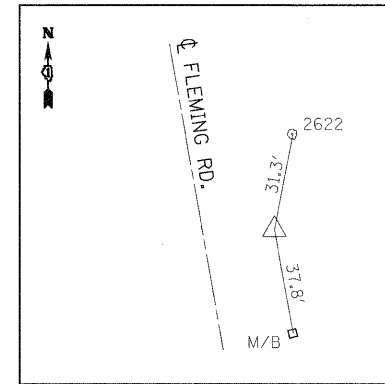
PT #108
MAG NAIL
N 2063308.5500
E 966741.8569



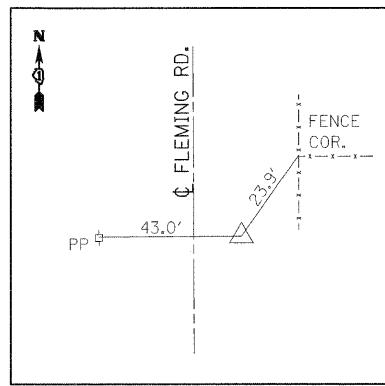
PT #8
MAG NAIL
N 2063664.8920
E 966654.2635



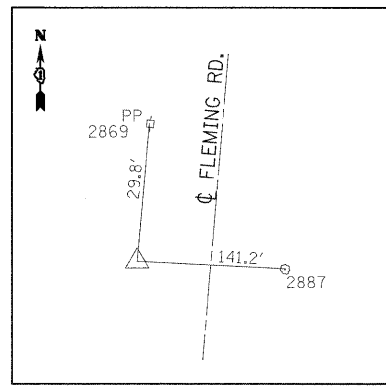
PT #111
P.O.T.
N 2063831.8480
E 966637.2883



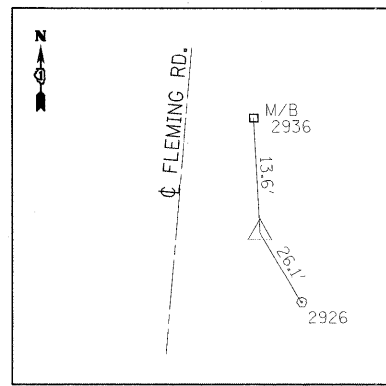
PT #9
MAG NAIL
N 2063997.7800
E 966624.0622



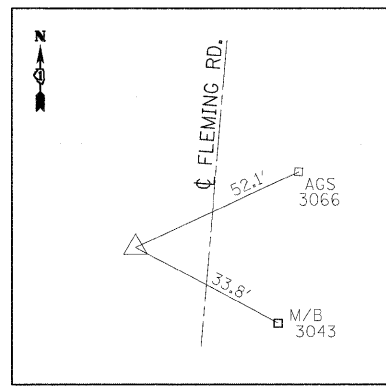
PT #10
I.R. W/CAP
N 2064264.5030
E 966579.3776



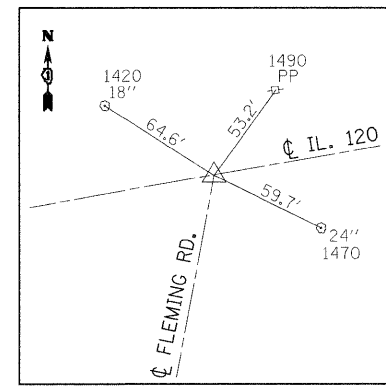
PT #11
MAG NAIL
N 2064452.2190
E 966551.2030



PT #12
I.R. W/CAP
N 2064761.4630
E 966607.5479



PT #13
I.R. W/CAP
N 2064994.2450
E 966594.7586



PT #103
C-C
N 2065245.6890
E 966626.8311