

**NOTE:**

ONLY TWO (2) TOTAL SOUTHBOUND LANES FROM:  
STA. 487+00 TO STA. 488+10.

**EXISTING TYPICAL SECTION**  
IL RTE. 43 (HARLEM AVE.)  
STA. 73+00 TO STA. 95+00  
STA. 185+97 TO STA. 190+11  
STA. 483+00 TO STA. 488+10

**MEDIAN NOTES:**

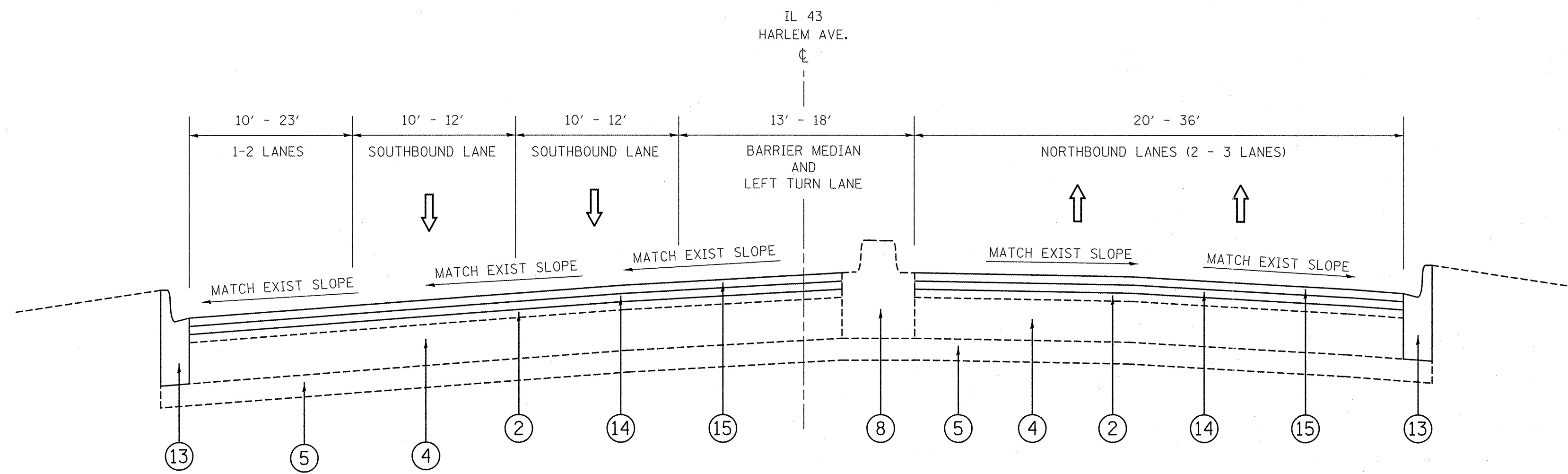
BARRIER MEDIAN WITH 4" P.C.C. MEDIAN SURFACE FROM:  
STA. 84+00 TO STA. 95+00  
STA. 483+00 TO STA. 488+10

**PAINTED MEDIAN FROM:**

STA. 186+81 TO STA. 190+11

**LEGEND:**

- ① EXISTING HMA SURFACE (VARIES FROM 2-1/2" TO 6")
- ② EXISTING HMA SURFACE AFTER MILLING (VARIES FROM 0" TO 3-1/2")
- ③ EXISTING HMA SURFACE AFTER MILLING (VARIES FROM 3/4" TO 4-1/4")
- ④ EXISTING P.C.C. BASE COURSE (VARIES FROM 5-1/4" TO 12-5/8")
- ⑤ EXISTING SUB-BASE GRANULAR MATERIAL
- ⑥ EXISTING COMB. CONC. CURB & GUTTER, TYPE B OR TYPE B-6.12
- ⑦ EXISTING CONCRETE MEDIAN SURFACE, 4"
- ⑧ EXISTING CONCRETE MEDIAN, TYPE S B-6.12
- ⑨ EXISTING P.C.C. CORRUGATED MEDIAN
- ⑩ PROPOSED HMA SURFACE REMOVAL, 2-1/2"
- ⑪ PROPOSED HMA SURFACE REMOVAL, 1-3/4"
- ⑫ PROPOSED MEDIAN REMOVAL, PARTIAL DEPTH
- ⑬ PROPOSED COMB. CONC. CURB AND GUTTER REMOVAL AND REPLACEMENT
- ⑭ PROPOSED POLYMERIZED LEVELING BINDER (MACHINE METHOD), IL-4.75, N50, 3/4"
- ⑮ PROPOSED POLYMERIZED HMA SURFACE COURSE, MIX "F", N90, 1-3/4"



**NOTE:**

ONLY TWO (2) TOTAL SOUTHBOUND LANES FROM:  
STA. 487+00 TO STA. 488+10.

**PROPOSED TYPICAL SECTION**  
IL RTE. 43 (HARLEM AVE.)  
STA. 73+00 TO STA. 95+00  
STA. 185+97 TO STA. 190+11  
STA. 483+00 TO STA. 488+10

**MEDIAN NOTES:**

BARRIER MEDIAN WITH 4" P.C.C. MEDIAN SURFACE FROM:  
STA. 84+00 TO STA. 95+00  
STA. 483+00 TO STA. 488+10

**PAINTED MEDIAN FROM:**

STA. 186+81 TO STA. 190+11

FILE NAME =	USER NAME = becker tom	DESIGNED -	REVISED -	<b>STATE OF ILLINOIS DEPARTMENT OF TRANSPORTATION</b>	<b>IL RTE. 43 (HARLEM AVE.) - (26TH ST. TO CULLOM AVE.) EXISTING AND PROPOSED TYPICAL SECTIONS</b>	F.A.P. RTE.	SECTION	COUNTY	TOTAL SHEETS	SHEET NO.
ct:\pw_work\p\dot\becker tom\d0245514\DI	5311-shr-plan.dgn	DRAWN -	REVISED -			348	2010-090-RS	COOK	55	5
PLOT SCALE = 50.0000' / in.		CHECKED -	REVISED -			CONTRACT NO. 60L86				
PLOT DATE = 10/18/2011		DATE -	REVISED -			SCALE:	SHEET NO. OF SHEETS	STA. TO STA.	FED. ROAD DIST. NO. 1	ILLINOIS FED. AID PROJECT