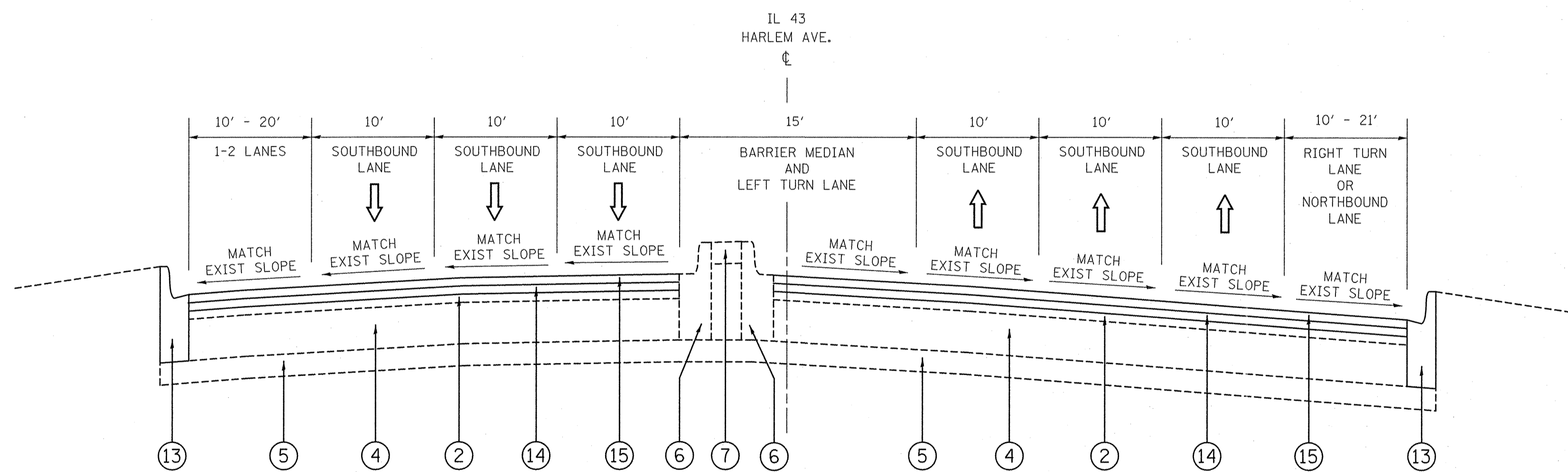


EXISTING TYPICAL SECTION
IL 43 (HARLEM AVE.)
STA. 95+00 TO STA. 106+86

LEGEND:

- ① EXISTING HMA SURFACE (VARIES FROM 2-1/2" TO 6")
- ② EXISTING HMA SURFACE AFTER MILLING (VARIES FROM 0" TO 3-1/2")
- ③ EXISTING HMA SURFACE AFTER MILLING (VARIES FROM 3/4" TO 4-1/4")
- ④ EXISTING P.C.C. BASE COURSE (VARIES FROM 5-1/4" TO 12-5/8")
- ⑤ EXISTING SUB-BASE GRANULAR MATERIAL
- ⑥ EXISTING COMB. CONC. CURB & GUTTER, TYPE B OR TYPE B-6.12
- ⑦ EXISTING CONCRETE MEDIAN SURFACE, 4"
- ⑧ EXISTING CONCRETE MEDIAN, TYPE S B-6.12
- ⑨ EXISTING P.C.C. CORRUGATED MEDIAN
- ⑩ PROPOSED HMA SURFACE REMOVAL, 2-1/2"
- ⑪ PROPOSED HMA SURFACE REMOVAL, 1-3/4"
- ⑫ PROPOSED MEDIAN REMOVAL, PARTIAL DEPTH
- ⑬ PROPOSED COMB. CONC. CURB AND GUTTER REMOVAL AND REPLACEMENT
- ⑭ PROPOSED POLYMERIZED LEVELING BINDER (MACHINE METHOD), IL-4.75, N50, 3/4"
- ⑮ PROPOSED POLYMERIZED HMA SURFACE COURSE, MIX "F", N90, 1-3/4"



PROPOSED TYPICAL SECTION
IL 43 (HARLEM AVE.)
STA. 95+00 TO STA. 106+86

FILE NAME =	USER NAME = becker.tcm	DESIGNED -	REVISED -
c:\pw_work\pwidot\becker.tcm\d245514\DI\5311-sht-plan.dgn		DRAWN -	REVISED -
PLOT SCALE = 50.0000' / 1in.		CHECKED -	REVISED -
PLOT DATE = 10/18/2011		DATE -	REVISED -

STATE OF ILLINOIS
DEPARTMENT OF TRANSPORTATION

IL RTE. 43 (HARLEM AVE.) - (26TH ST. TO CULLOM AVE.)
EXISTING AND PROPOSED TYPICAL SECTIONS

SCALE: SHEET NO. OF SHEETS STA. TO STA.

F.A.P. RTE.	SECTION	COUNTY	TOTAL SHEETS	SHEET NO.
348	2010-090-RS	COOK	55	6
FED. ROAD DIST. NO. 1 ILLINOIS FED. AID PROJECT			CONTRACT NO. 60L86	