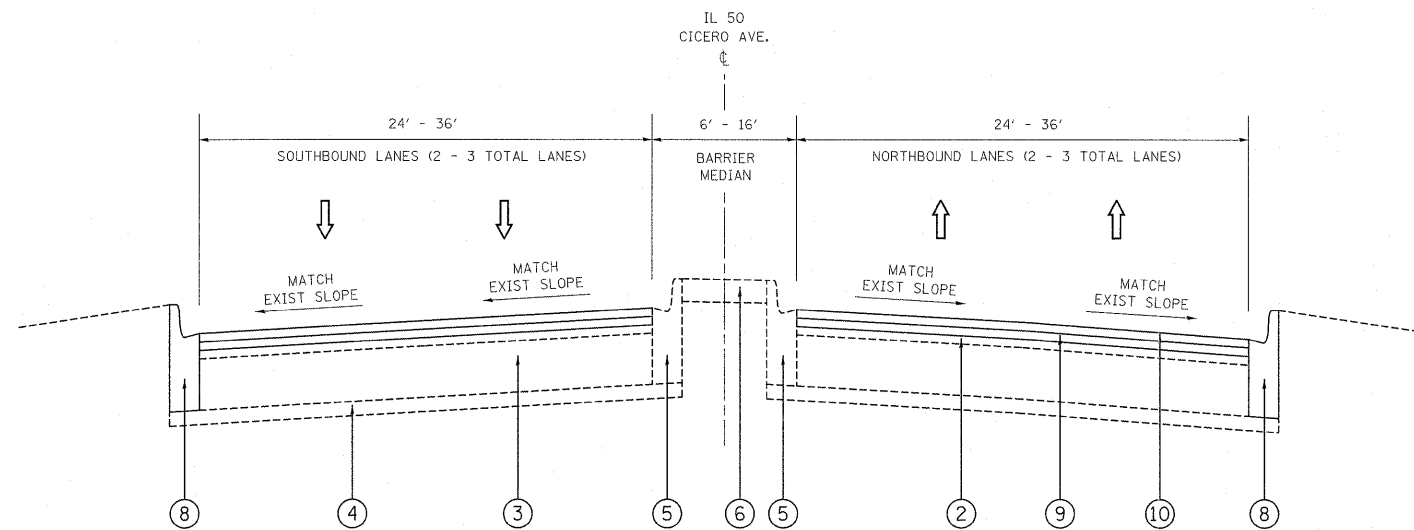


EXISTING TYPICAL SECTION
IL 50 (CICERO AVE.)
STA. 61+00 TO STA. 88+00

LEGEND:

- ① EXISTING HMA SURFACE (VARIES FROM 3" TO 5")
- ② EXISTING HMA SURFACE AFTER MILLING (VARIES FROM 1/2" TO 2-1/2")
- ③ EXISTING P.C.C. BASE COURSE (± 9")
- ④ EXISTING SUB-BASE GRANULAR MATERIAL
- ⑤ EXISTING COMB. CONC. CURB & GUTTER, TYPE B-6.18 OR TYPE B-6.24
- ⑥ EXISTING CONCRETE MEDIAN SURFACE, 4"
- ⑦ PROPOSED HMA SURFACE REMOVAL, 2-1/2"
- ⑧ PROPOSED COMB. CONC. C&G REMOVAL AND REPLACEMENT
- ⑨ PROPOSED POLYMERIZED LEVELING BINDER (MACHINE METHOD), IL-4.75, N50, 3/4"
- ⑩ PROPOSED POLYMERIZED HMA SURFACE COURSE, MIX "F", N90, 1-3/4"



PROPOSED TYPICAL SECTION
IL 50 (CICERO AVE.)
STA. 61+00 TO STA. 88+00

FILE NAME =	USER NAME = becker.tom	DESIGNED -	REVISED -
c:\pwwork\pwwork\becker.tom\d0246251\0105411-sh-t-plan.dgn		DRAWN -	REVISED -
PLOT SCALE = 50.0000' / 1" =		CHECKED -	REVISED -
PLOT DATE = 10/17/2011		DATE -	REVISED -

**STATE OF ILLINOIS
DEPARTMENT OF TRANSPORTATION**

**IL 50 (CICERO AVENUE) (95TH ST. TO 127TH ST.)
EXISTING AND PROPOSED TYPICAL SECTIONS**

SCALE: SHEET NO. OF SHEETS STA. TO STA.

F.A.P. RTE.	SECTION	COUNTY	TOTAL SHEETS	SHEET NO.
350	3068A-RS-1	COOK	35	5
FED. ROAD DIST. NO. 1 ILLINOIS FED. AID PROJECT			CONTRACT NO. 60L87	