

**WEST EDGE OF PAVEMENT**

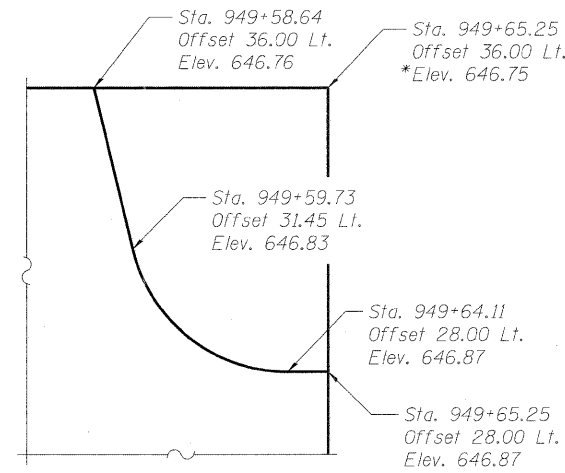
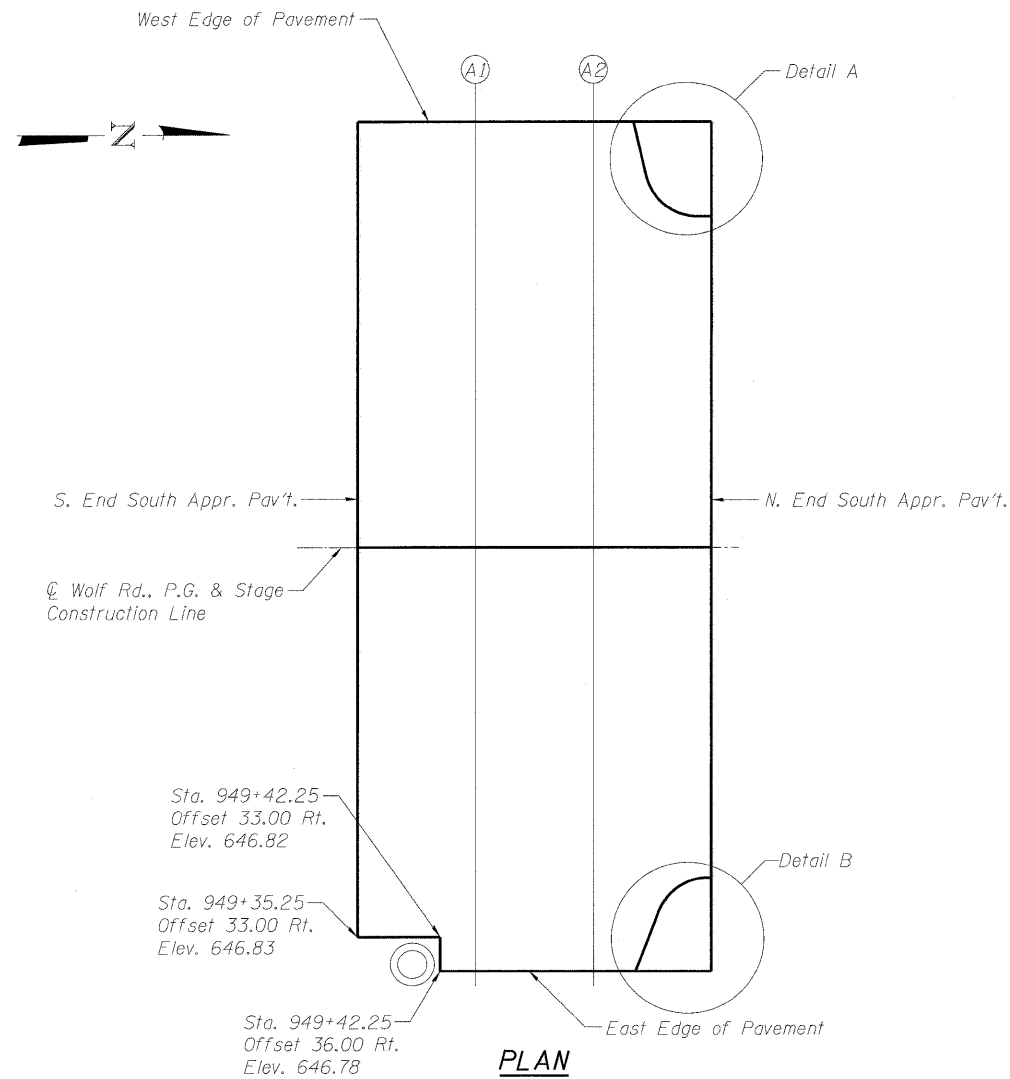
Location	Station	Offset	Theoretical Grade Elevations
S. End South Appr. Pav't.	949+35.25	-36.00	646.79
A1	949+45.25	-36.00	646.78
A2	949+55.25	-36.00	646.76
N. End South Appr. Pav't.	949+65.25	-36.00	646.75

**WOLF RD., P.G. & STAGE CONSTRUCTION LINE**

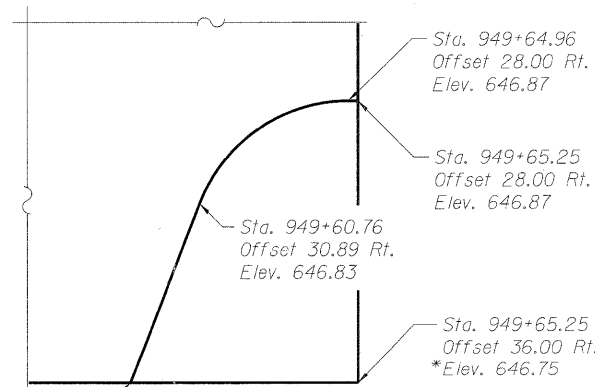
Location	Station	Offset	Theoretical Grade Elevations
S. End South Appr. Pav't.	949+35.25	0.00	647.33
A1	949+45.25	0.00	647.32
A2	949+55.25	0.00	647.30
N. End South Appr. Pav't.	949+65.25	0.00	647.29

**EAST EDGE OF PAVEMENT**

Location	Station	Offset	Theoretical Grade Elevations
A1	949+45.25	36.00	646.78
A2	949+55.25	36.00	646.76
N. End South Appr. Pav't.	949+65.25	36.00	646.75



**DETAIL A**



**DETAIL B**

\* Elevations beneath the sidewalk are given at the theoretical top of slab which is the projection of the roadway slope beneath the sidewalk.

FILE NAME = g:\p\projec\2102151\_007\cadd\structure\st\0166680-60M52-007-S Appr Elev.dgn



USER NAME = 2piemid	DESIGNED - BPS	REVISOR -
PLOT SCALE = N/A	CHECKED - BHS	REVISIONS -
PLOT DATE = 10/27/2011	DRAWN - BPS	REVISIONS -
	CHECKED - BHS	REVISIONS -

**STATE OF ILLINOIS  
DEPARTMENT OF TRANSPORTATION**

**TOP OF SOUTH APPROACH SLAB ELEVATIONS  
S.N. 016-0680**

SHEET NO. 57 OF 29 SHEETS

F.A.U. RTE. 2692	SECTION 1415B-1	COUNTY COOK	TOTAL SHEETS 72	SHEET NO. 42
			CONTRACT NO. 60M52	
ILLINOIS FED. AID PROJECT				