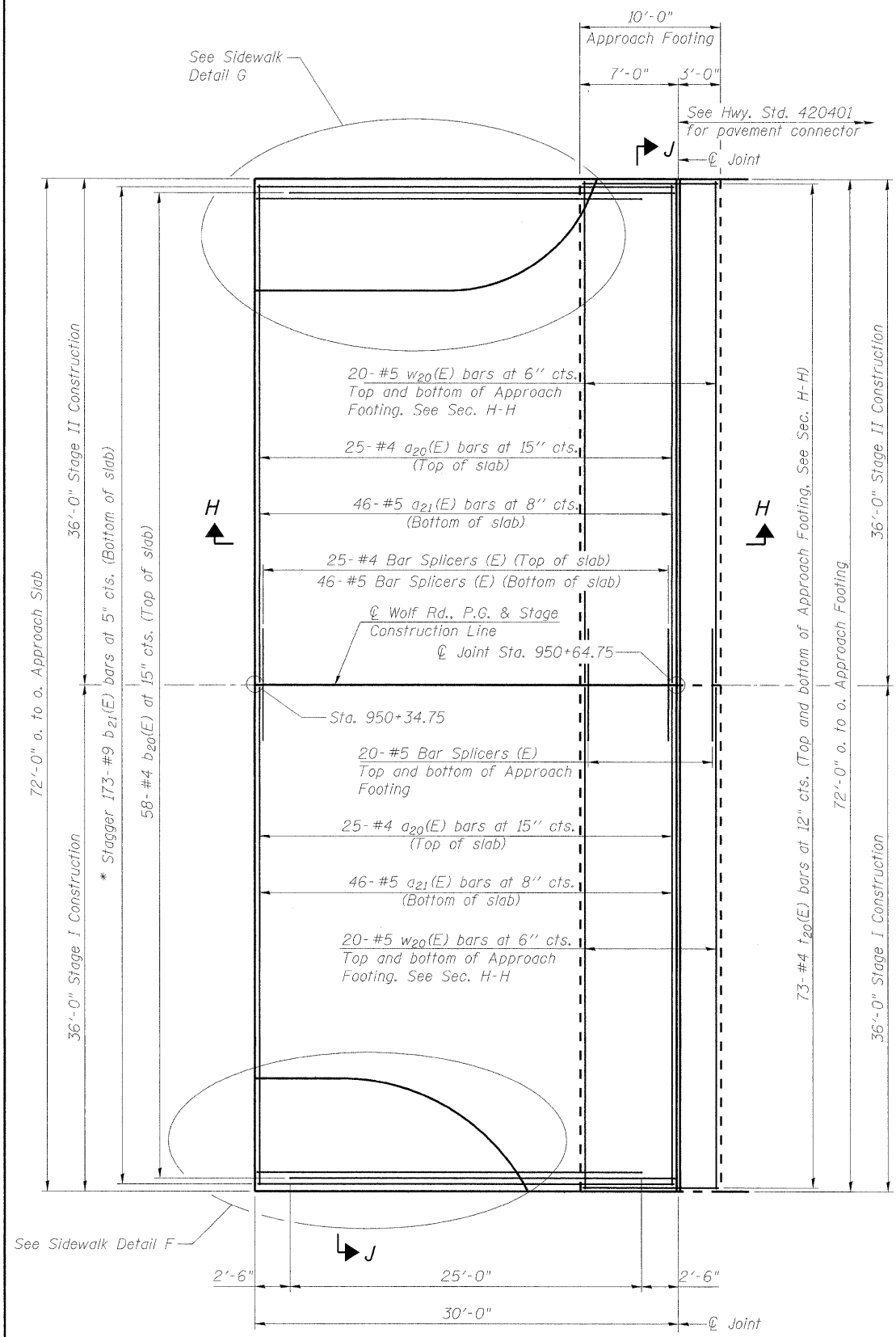
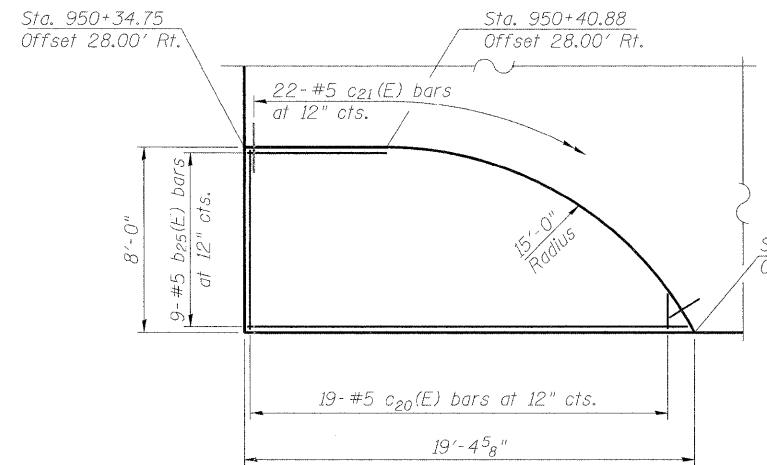
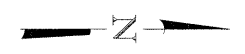


Notes:
 See Sheet S16 of 29 for Sections H-H & J-J.
 $a_{20}(E)$ and $a_{21}(E)$ bar spacings measured along C.R.
 Cut bars $b_{25}(E)$, $b_{26}(E)$ and $c_{20}(E)$ as required to fit sidewalk.

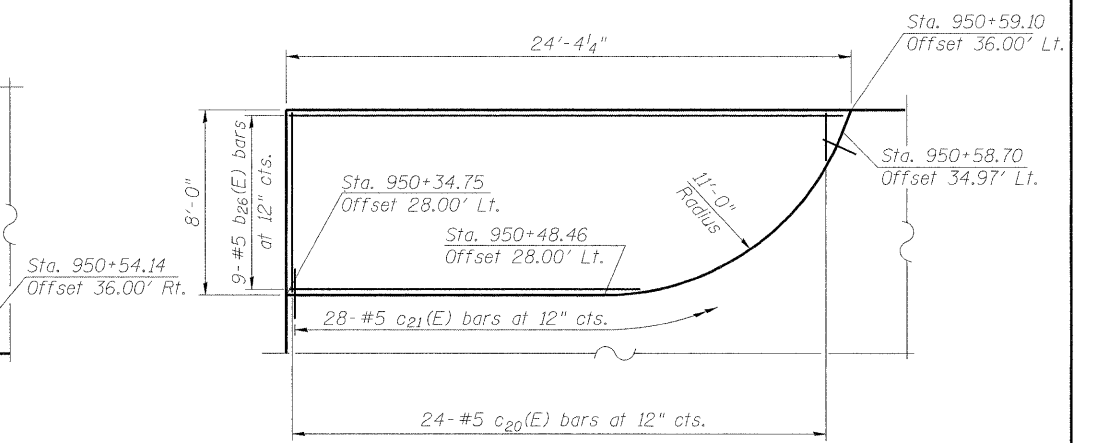


PLAN

* Tilt #9 $b_{21}(E)$ bars as required to maintain clearance.



SIDEWALK DETAIL F



SIDEWALK DETAIL G

FILE NAME = g:\projects\11202105_007\cadd\structure\sh\0166660-60452-015-N-Approach.dgn

	USER NAME = Zsayerb	DESIGNED - BPS	REVISED -	STATE OF ILLINOIS DEPARTMENT OF TRANSPORTATION	NORTH APPROACH SLAB S.N. 016-0680	F.A.U. RTE. 2692	SECTION 1415B-1	COUNTY COOK	TOTAL SHEETS 72	SHEET NO. 50
	PLOT SCALE = N/A	CHECKED - BHS	REVISED -			CONTRACT NO. 60M52				
	PLOT DATE = 11/30/2011	DRAWN - BPS	REVISED -			ILLINOIS FED. AID PROJECT				
	CHECKED - BHS	REVISED -	SHEET NO. S15 OF 29 SHEETS							