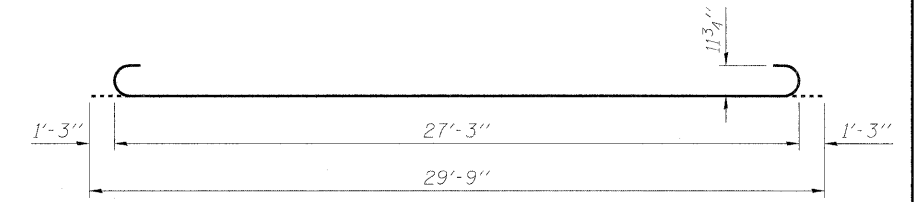
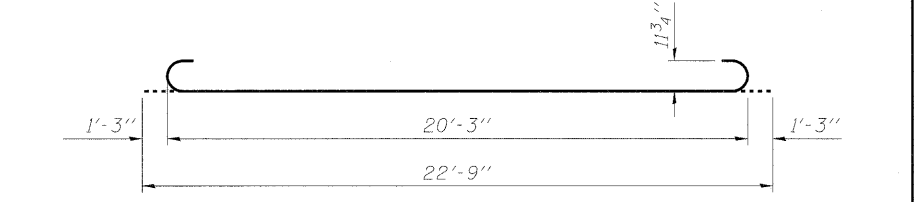


SECTION D-D

Notes:
 See Sheet S14 of 29 for Detail A.
 Approach slab shall be paid for as Concrete Superstructure.
 Approach footing concrete shall be paid for as Concrete Structures.
 Reinforcement shall be paid for as Reinforcement Bars, Epoxy Coated.
 For v(E) bar details, see Sheets S22 and S24 of 29.
 The approach footing maximum applied service bearing pressure (Qmax) = 2.0 ksf.
 For bar splicer details, see Sheet S25 of 29.
 Cost of excavation for approach footing included with Concrete Structures.
 For Porous Granular Embankment (Special) and drainage treatment details, see Sheet S2 of 29.



BAR b21(E)

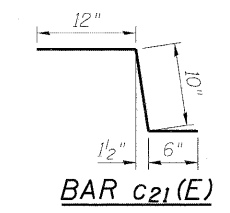


BAR b23(E)

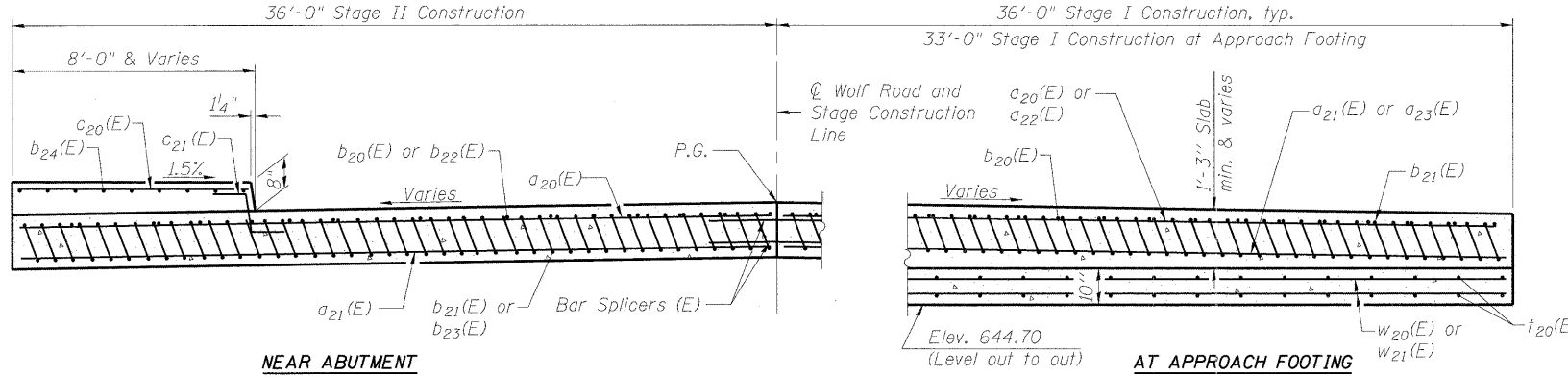
**TWO APPROACHES
 BILL OF MATERIAL**

Bar	No.	Size	Length	Shape
a20(E)	94	#4	35'-8"	—
a21(E)	173	#5	35'-8"	—
a22(E)	6	#4	32'-8"	—
a23(E)	11	#5	32'-8"	—
b20(E)	113	#4	29'-8"	—
b21(E)	339	#9	29'-9"	—
b22(E)	3	#4	22'-8"	—
b23(E)	7	#9	22'-9"	—
b24(E)	16	#5	6'-2"	—
b25(E)	9	#5	19'-0"	—
b26(E)	9	#5	24'-0"	—
c20(E)	55	#5	7'-8"	—
c21(E)	74	#5	2'-4"	⌒
t20(E)	286	#4	9'-8"	—
w20(E)	120	#5	35'-8"	—
w21(E)	40	#5	24'-0"	—
Concrete Superstructure		Cu. Yd.	220.9	
Concrete Structures		Cu. Yd.	43.5	
Reinforcement Bars, Epoxy Coated		Pound	55,090	

* Tilt #9 b21(E) or b23(E) bars as required to maintain clearance.
 *** Cost included with Concrete Superstructure.

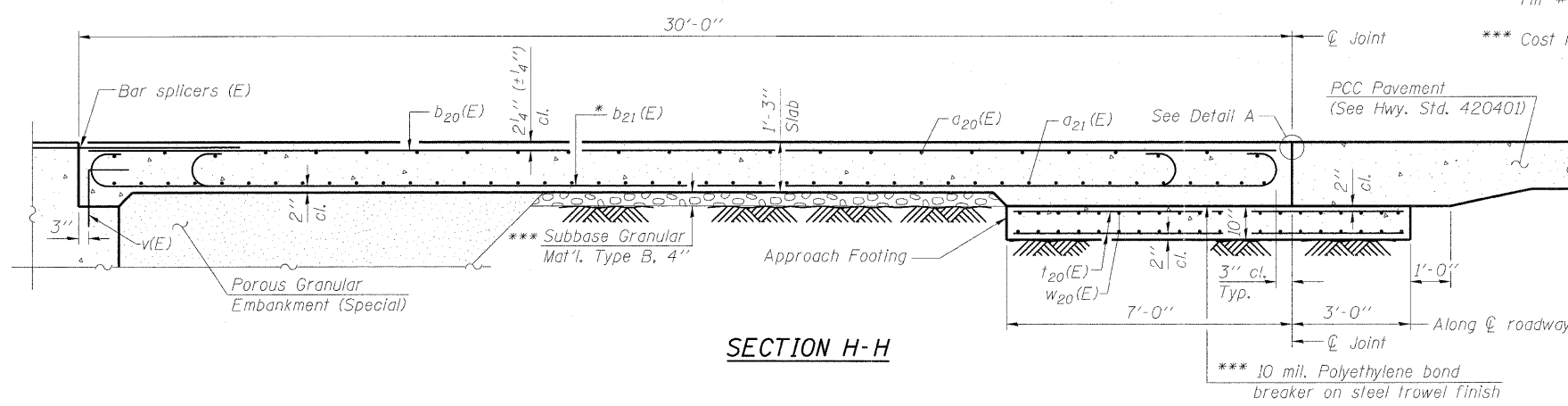


BAR c21(E)

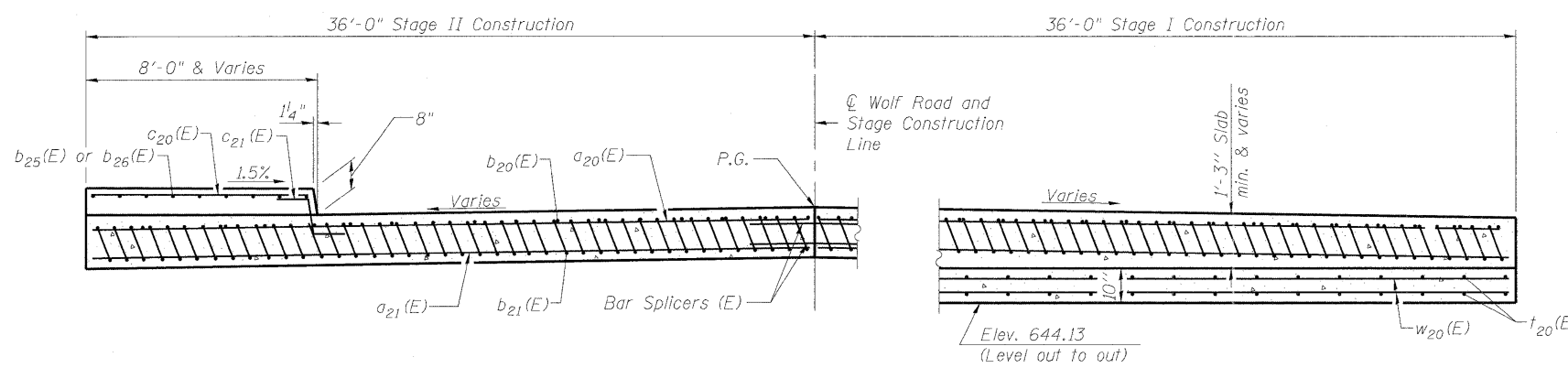


SECTION E-E

(See Plan for dimensions not shown)



SECTION H-H



SECTION J-J

(See Plan for dimensions not shown)

FILE NAME = g:\proj\est\2102155_009\cadd\structure\shs\0160650-60M52-016-Approach Detail.s.dgn