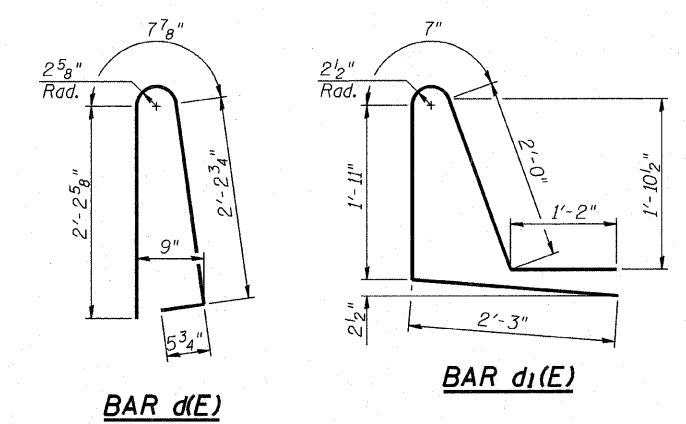
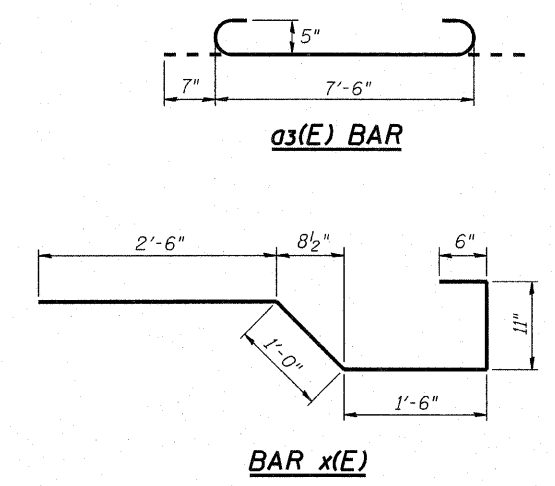


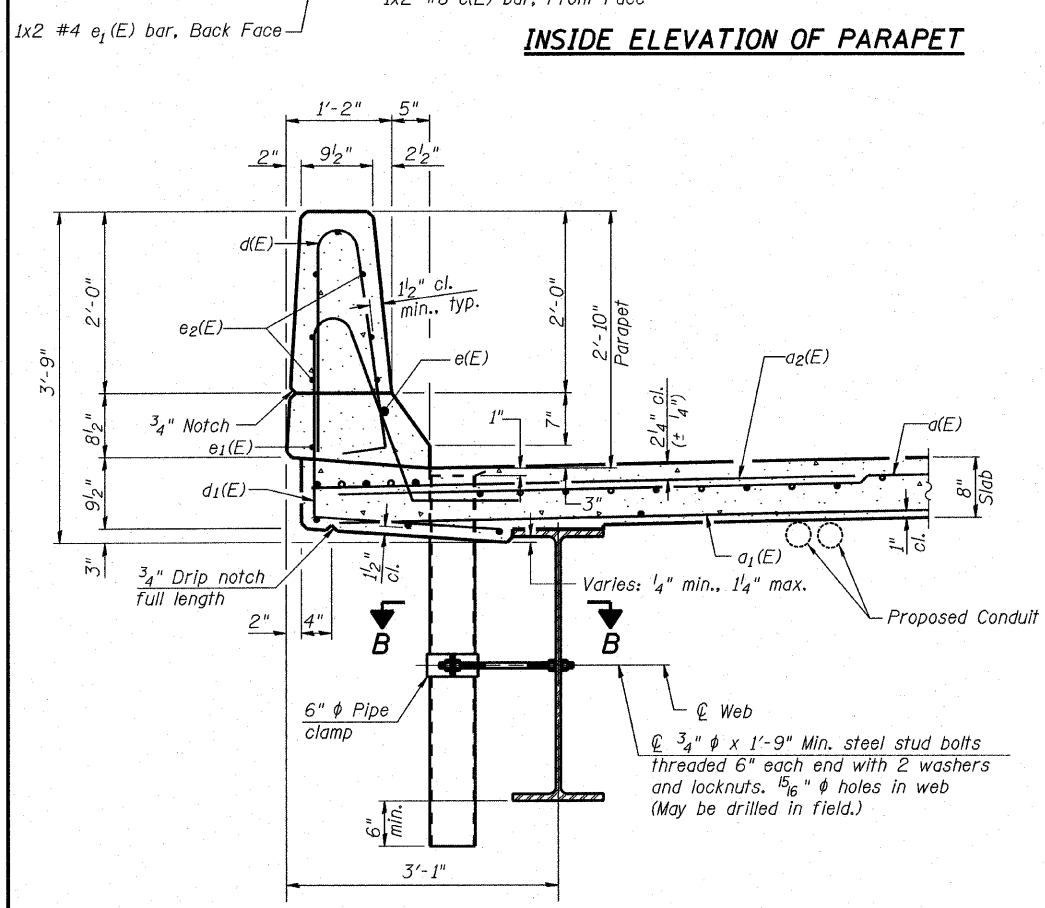
INSIDE ELEVATION OF PARAPET



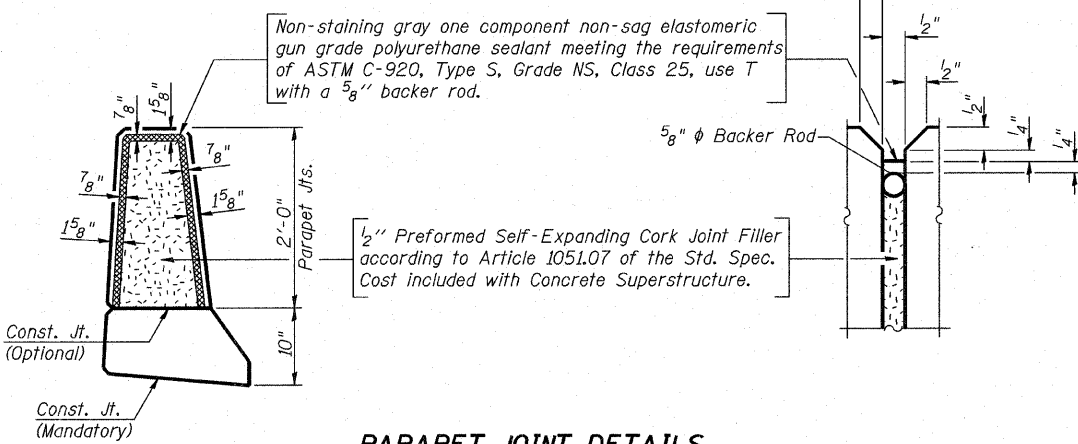
BAR d(E) BAR d1(E)



a3(E) BAR BAR x(E)

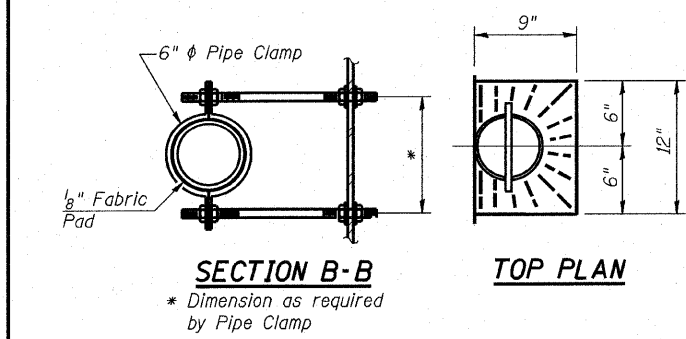


SECTION THRU PARAPET



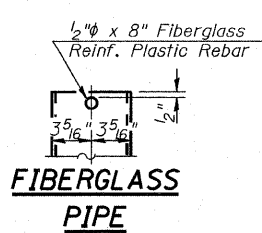
PARAPET JOINT DETAILS

Notes:
 Drains shall be located clear of all diaphragms.
 The exterior surfaces of the floor drains shall be painted with the finish coat as specified in the 2012 Illinois Department of Transportation Standard Specifications. The exterior surfaces of the drains shall be cleaned according to the Society of Protective Coating's Spec. SSPC-SP1 prior to painting.
 Fiberglass pipe shall conform to ASTM D 2996, with short-time rupture strength hoop tensile stress of 30,000 p.s.i. minimum.
 Galvanize clamping device according to AASHTO M232. Cost of clamping device and inserts is included with Floor Drains.

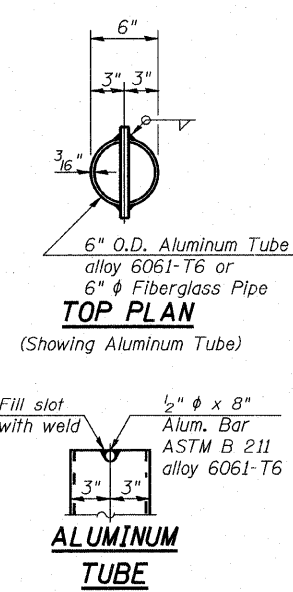


SECTION B-B
 * Dimension as required by Pipe Clamp

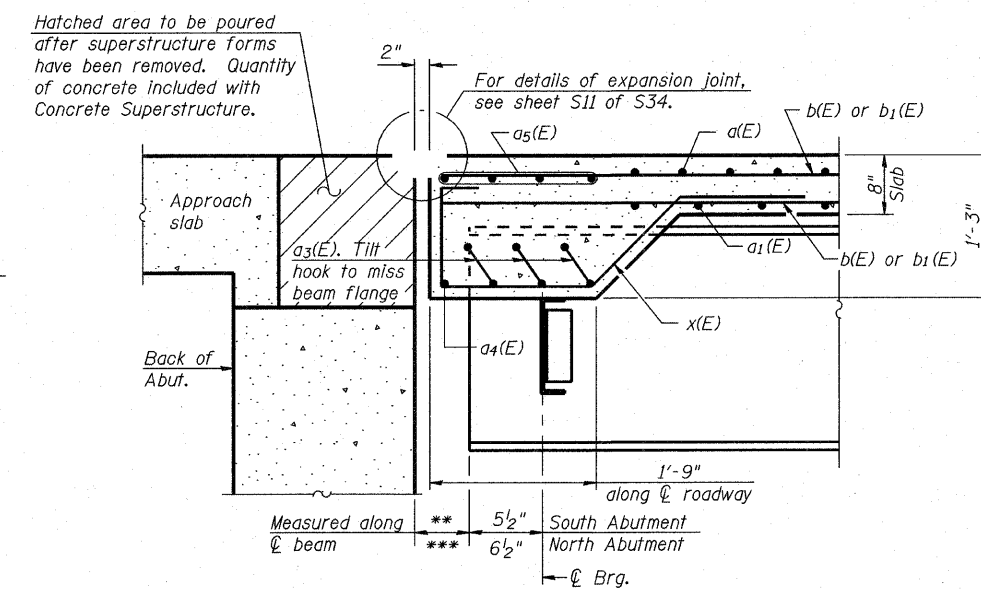
TOP PLAN



FIBERGLASS PIPE



ALUMINUM TUBE



SECTION A-A
 See Sheet S8 of S34

SUPERSTRUCTURE BILL OF MATERIAL

Bar	No.	Size	Length	Shape
a(E)	100	# 5	42'-6"	—
a1(E)	66	# 5	42'-2"	—
a2(E)	198	# 6	6'-6"	—
a3(E)	36	# 5	8'-8"	U
a4(E)	4	# 5	28'-8"	—
a5(E)	16	# 5	28'-10"	—
b(E)	82	# 5	36'-2"	—
b1(E)	82	# 5	21'-8"	—
d(E)	126	# 5	5'-7"	L
d1(E)	126	# 5	7'-11"	L
e(E)	4	# 8	30'-3"	—
e1(E)	4	# 4	28'-8"	—
e2(E)	42	# 4	18'-0"	—
x(E)	100	# 5	6'-5"	—
		Reinforcement Bars, Epoxy Coated	Pound	19,790
		Concrete Superstructure	Cu. Yds.	86.6
		Floor Drains	Each	6

Bars indicated thus 1 x 2 #8 etc. indicates 1 line of bars with 2 lengths per line.

MINIMUM BAR LAP
 (Parapet)
 #4 bar = 2'-0"
 #8 bar = 5'-2"