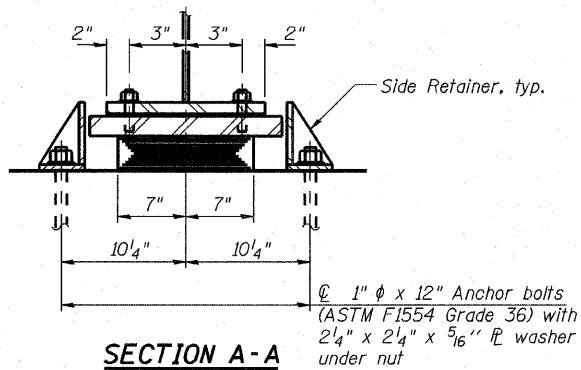
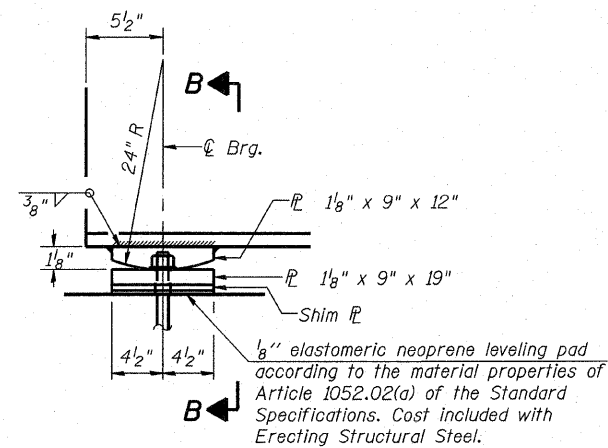


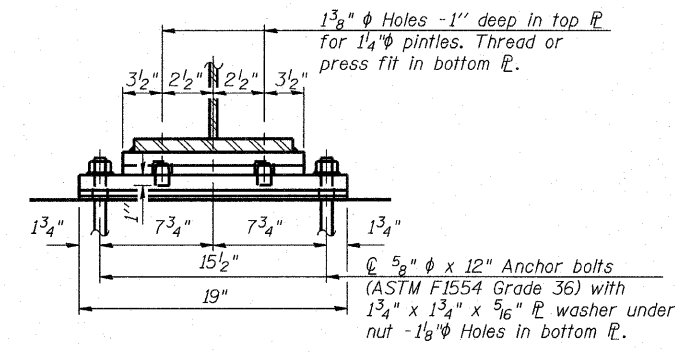
ELEVATION AT N. ABUT.



SECTION A-A



ELEVATION AT S. ABUT.



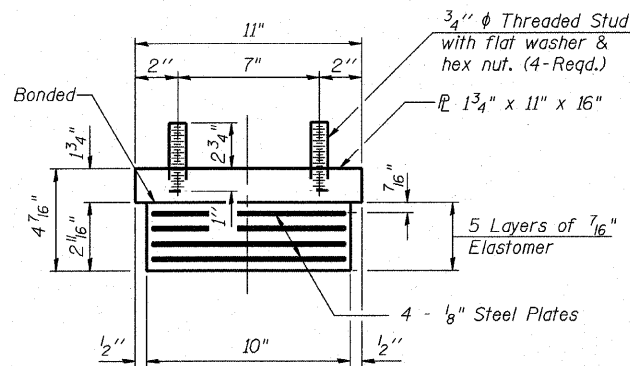
SECTION B-B

TYPE I ELASTOMERIC EXP. BRG.

The Structural Steel Plates of the Bearing Assembly shall conform to the requirements of AASHTO M270 Grade 50

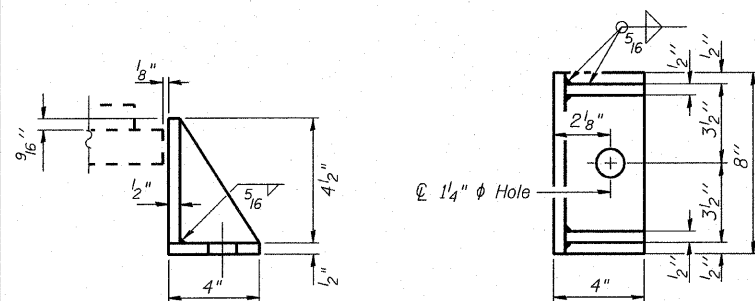
FIXED BEARING

The Structural Steel Plates of the Bearing Assembly shall conform to the requirements of AASHTO M270 Grade 50



BEARING ASSEMBLY

Note: Shim plates shall not be placed under Bearing Assembly.

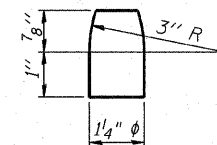


SIDE RETAINER

Equivalent rolled angle with stiffeners will be allowed in lieu of welded plates.

Notes:
Anchor bolts shall be ASTM F1554 all-thread (or an Engineer-approved alternate material) of the grade(s) and diameter(s) specified. The corresponding specified grade of AASHTO M314 anchor bolts may be used in lieu of ASTM F1554.
Anchor bolts at fixed bearings may be either cast in place or installed in holes drilled after the supported member is in place.
Anchor bolts for side retainers may be cast in place or installed in holes drilled before or after members are in place.
Drilled and set anchor bolts shall be installed according to Article 521.06 of the Standard Specifications.

Side retainers and other steel members required for the elastomeric bearing assembly shall be included in the cost of Furnishing Elastomeric Bearing Assembly, Type I.



PINTLE

For Information Only

BILL OF MATERIAL

Item	Unit	Total
Erecting Elastomeric Bearing Assembly Type I	Each	7
Anchor Bolts 5/8"	Each	14
Anchor Bolts 1"	Each	14

These plans are for the erection of the bridge. All work shown related to the Beam and Bearing Fabrication Contract is for information only. It is not included in this contract, and is identified as "Not Included in this Contract" or "For Information Only"