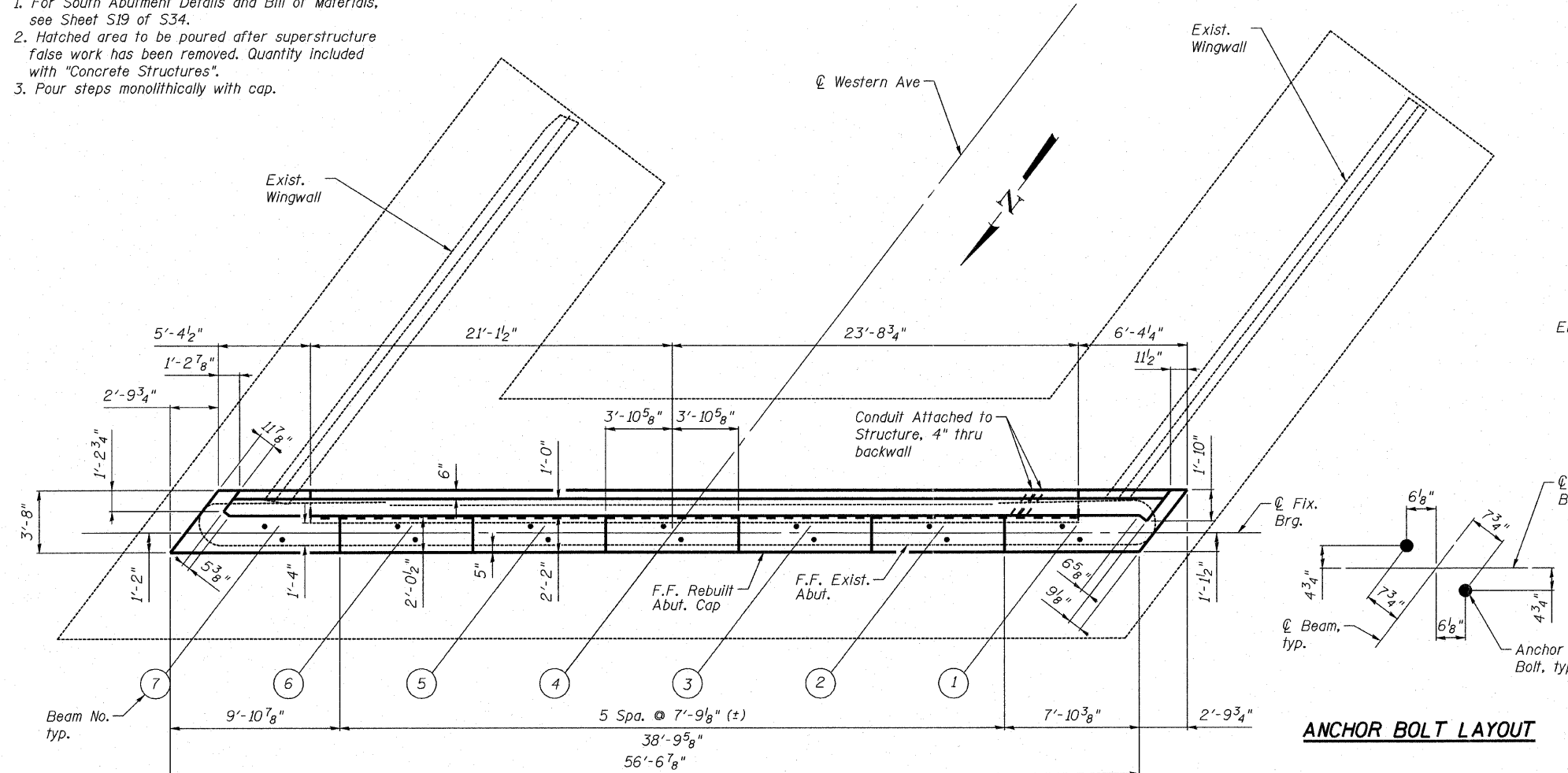
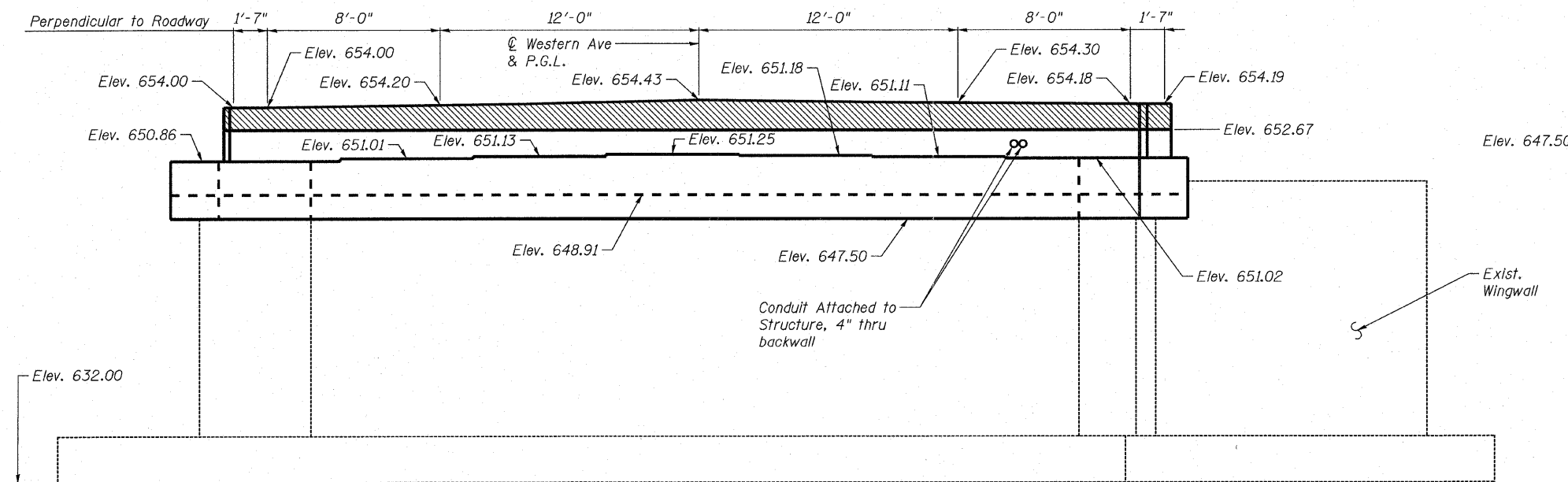


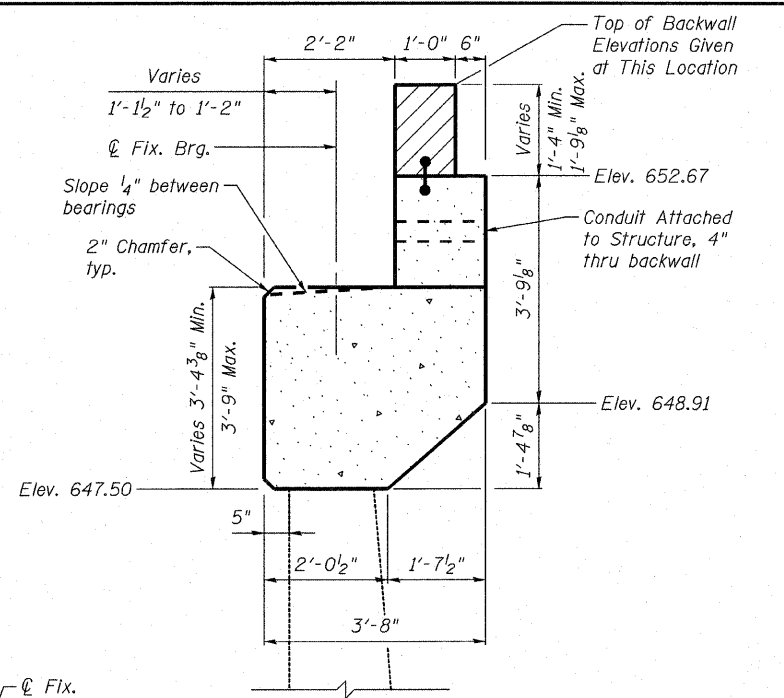
- Notes:
1. For South Abutment Details and Bill of Materials, see Sheet S19 of S34.
 2. Hatched area to be poured after superstructure false work has been removed. Quantity included with "Concrete Structures".
 3. Pour steps monolithically with cap.



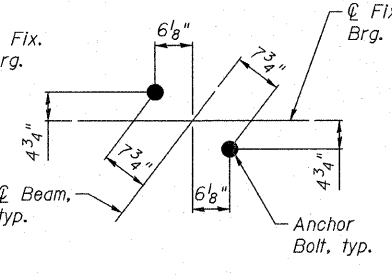
SOUTH ABUTMENT PLAN



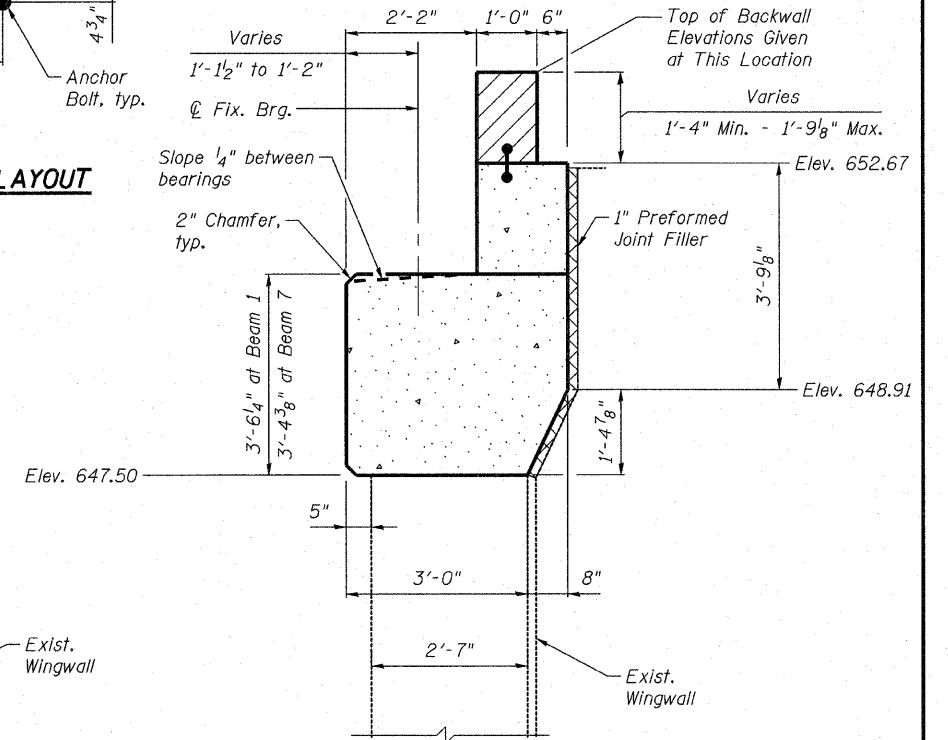
SOUTH ABUTMENT ELEVATION



SECTION THRU SOUTH ABUTMENT CAP



ANCHOR BOLT LAYOUT



SECTION THRU SOUTH ABUTMENT CAP AT WINGWALL

APEX
CONSULTING ENGINEERS, LLC
111 E. Wacker Drive, Suite 520
Chicago, IL 60601
Phone (312) 977-6660 Fax (312) 977-6661

USER NAME =
PLOT SCALE =
PLOT DATE = 12/8/2011

DESIGNED - HAA
CHECKED - RAD
DRAWN - HAA
CHECKED - RAD

REVISED
REVISED
REVISED
REVISED

STATE OF ILLINOIS
DEPARTMENT OF TRANSPORTATION

SOUTH ABUTMENT PLAN AND ELEVATION
STRUCTURE NO. 016-0772
SHEET NO. S18 OF S34 SHEETS

F.A.U. RTE. 2845	SECTION 0505-B	COUNTY COOK	TOTAL SHEETS 52	SHEET NO. 28
CONTRACT NO. 60M7B				
ILLINOIS FED. AID PROJECT				