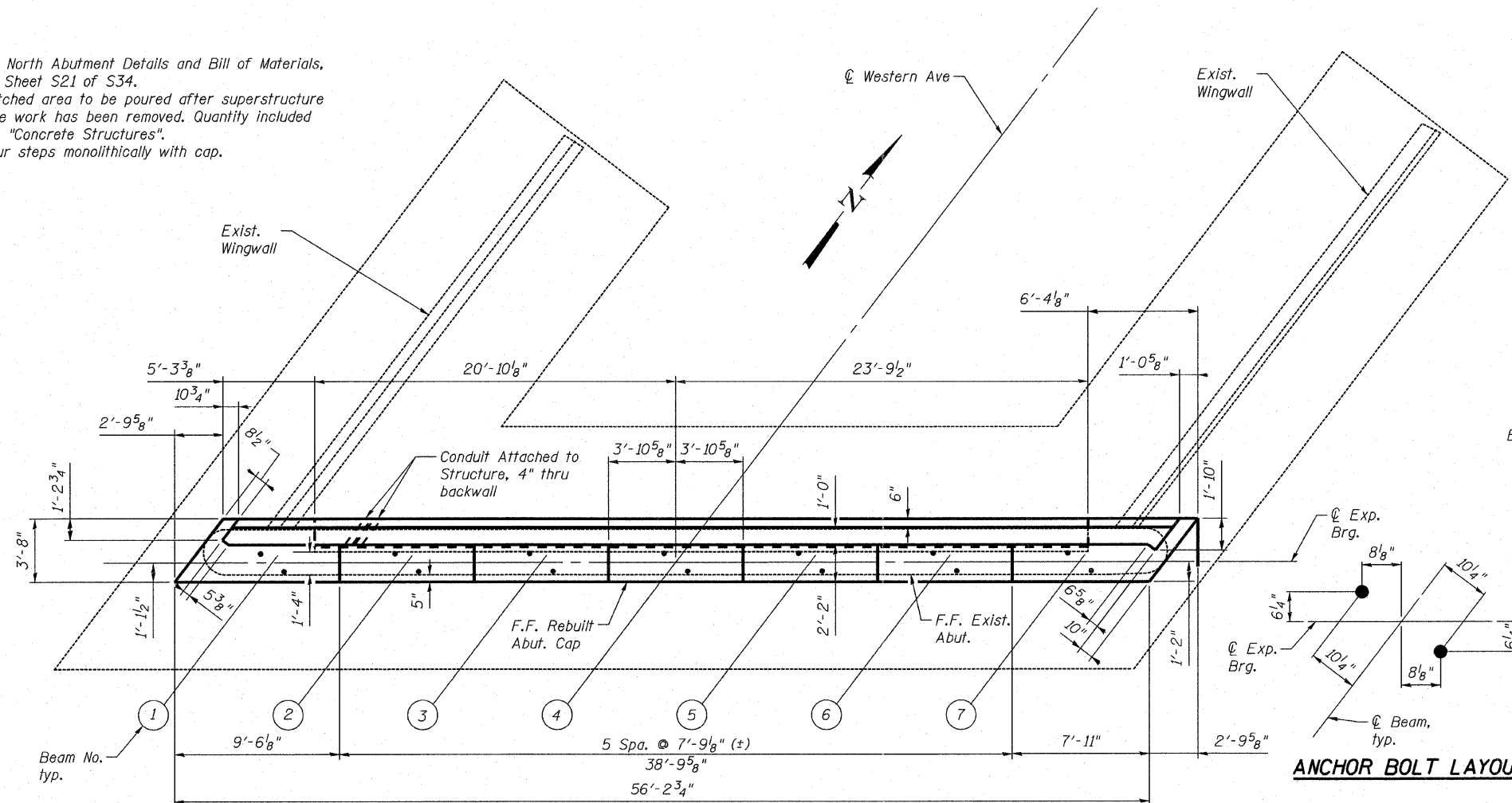
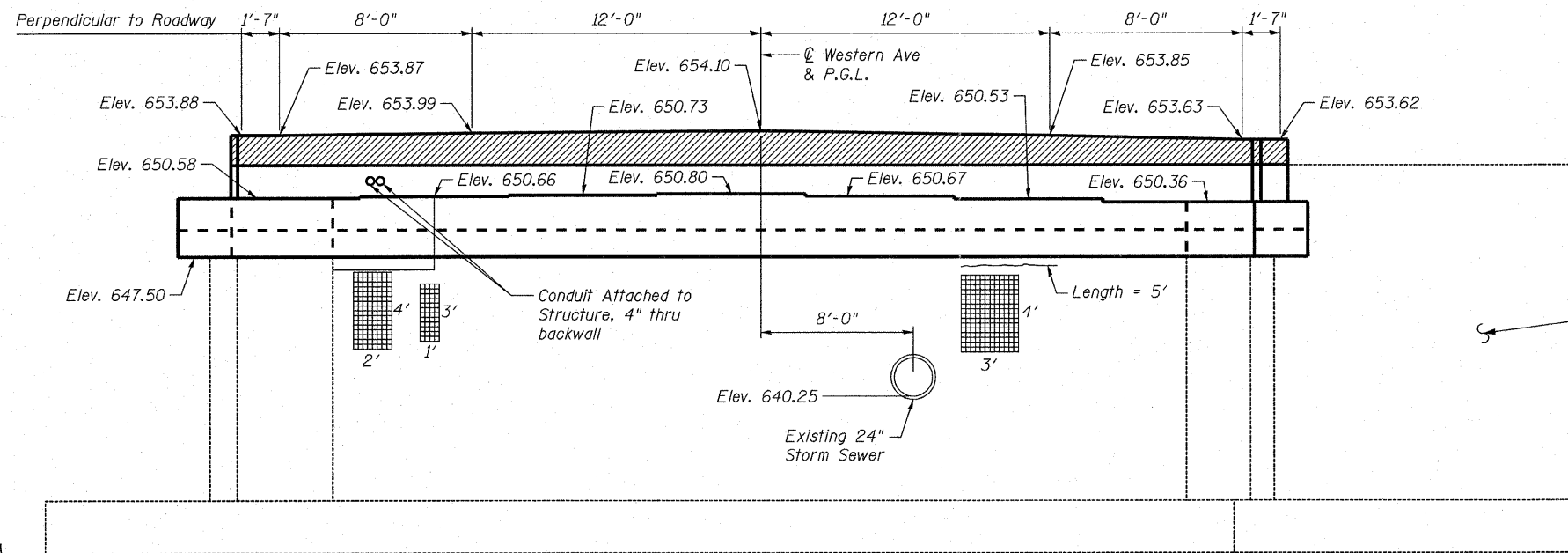


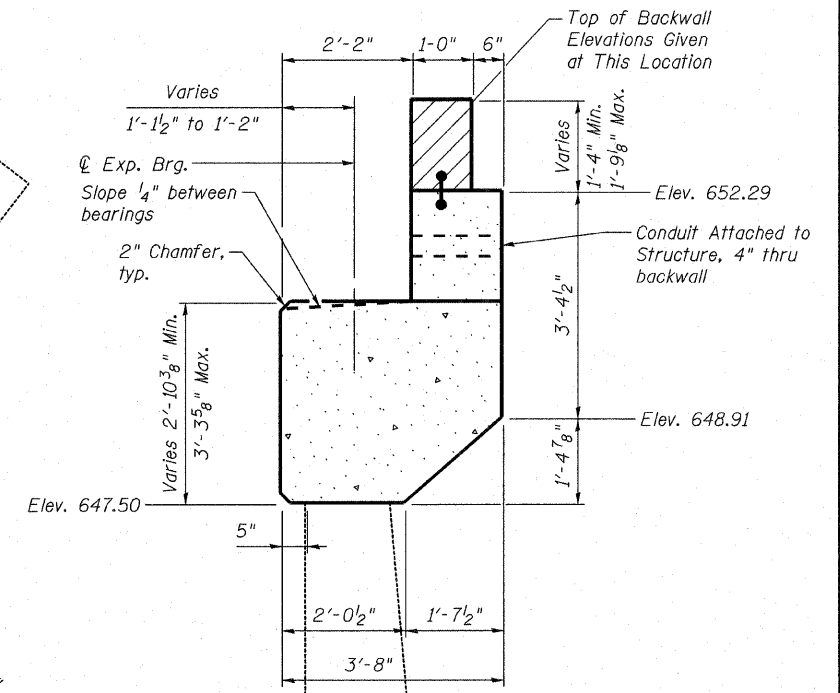
- Notes:
1. For North Abutment Details and Bill of Materials, see Sheet S21 of S34.
 2. Hatched area to be poured after superstructure false work has been removed. Quantity included with "Concrete Structures".
 3. Pour steps monolithically with cap.



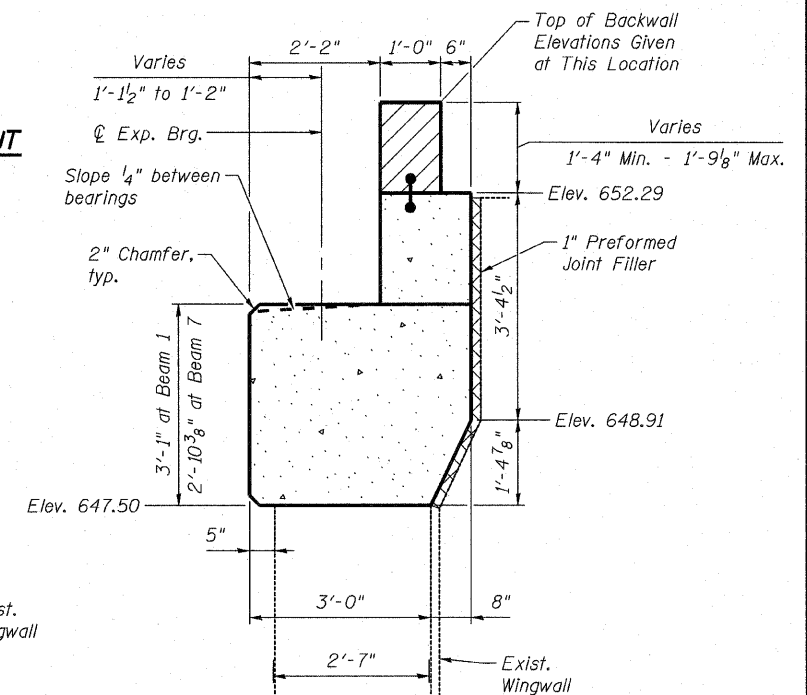
NORTH ABUTMENT PLAN



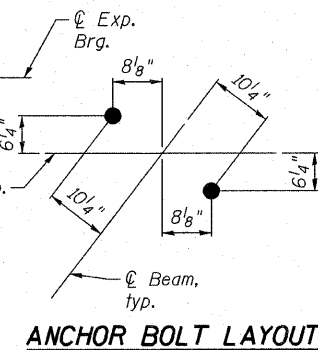
NORTH ABUTMENT ELEVATION



SECTION THRU NORTH ABUTMENT CAP

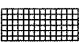
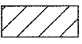



SECTION THRU NORTH ABUTMENT CAP AT WINGWALL



ANCHOR BOLT LAYOUT

Legend

-  Structural Repair of Concrete (Depth Less than 5")
-  Hatched area to be poured after superstructure false work has been removed
-  Epoxy Crack Injection

APEX
CONSULTING ENGINEERS, LLC
111 R. Wacker Drive, Suite 530
Chicago, IL 60601
Phone (312) 977-6960 Fax (312) 977-0681

USER NAME =
PLOT SCALE =
PLOT DATE = 12/8/2011

DESIGNED - HAA
CHECKED - RAD
DRAWN - HAA
CHECKED - RAD

REVISED
REVISED
REVISED
REVISED

STATE OF ILLINOIS
DEPARTMENT OF TRANSPORTATION

NORTH ABUTMENT PLAN AND ELEVATION
STRUCTURE NO. 016-0772

SHEET NO. S20 OF S34 SHEETS

F.A.U. RTE.	SECTION	COUNTY	TOTAL SHEETS	SHEET NO.
2845	0505-B	COOK	52	30

CONTRACT NO. 60M78
ILLINOIS FED. AID PROJECT