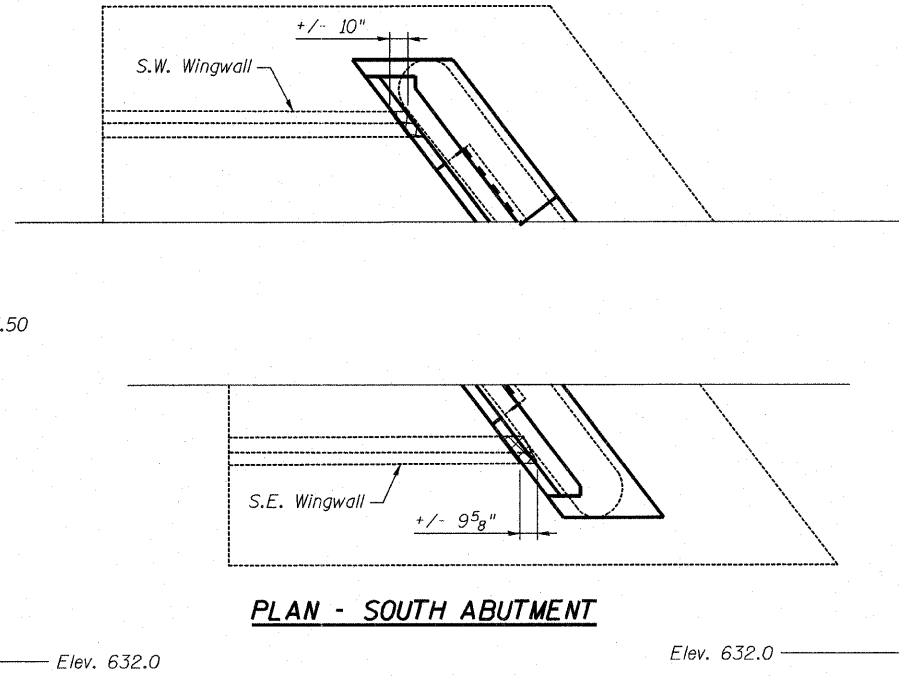
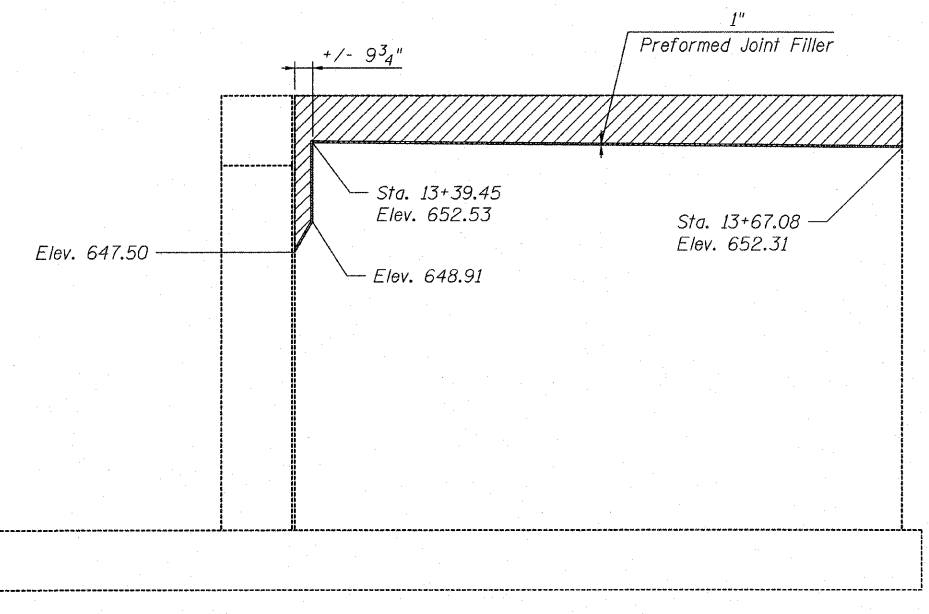


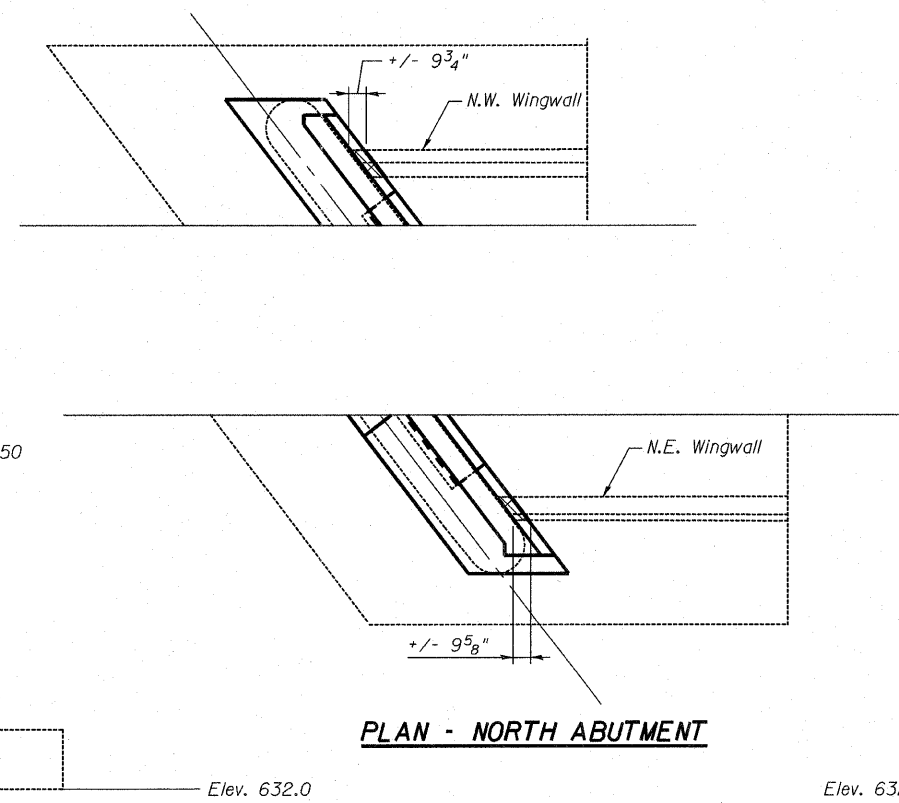
SOUTH WEST WINGWALL - ELEVATION
(Elevations taken along F.F. / Wingwall U.N.O.)



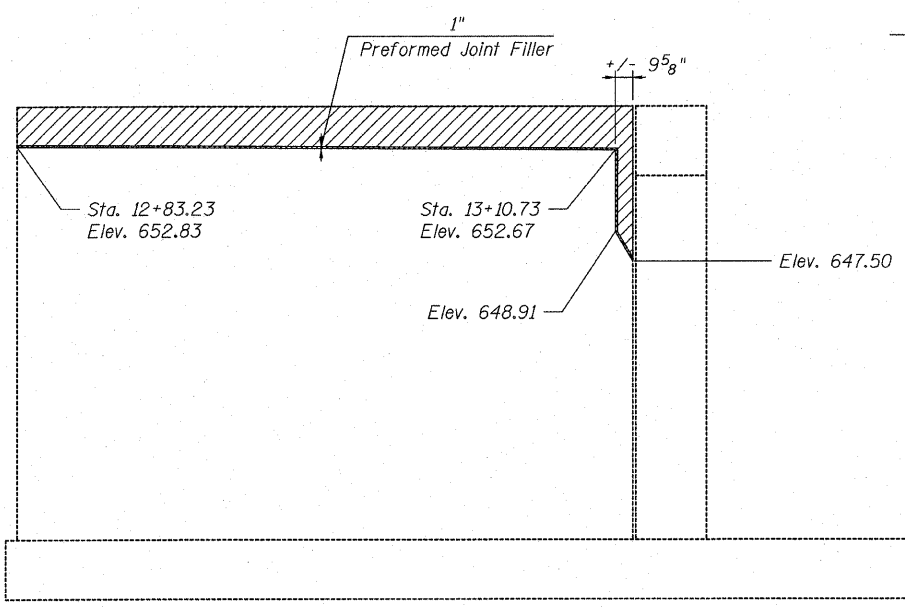
PLAN - SOUTH ABUTMENT



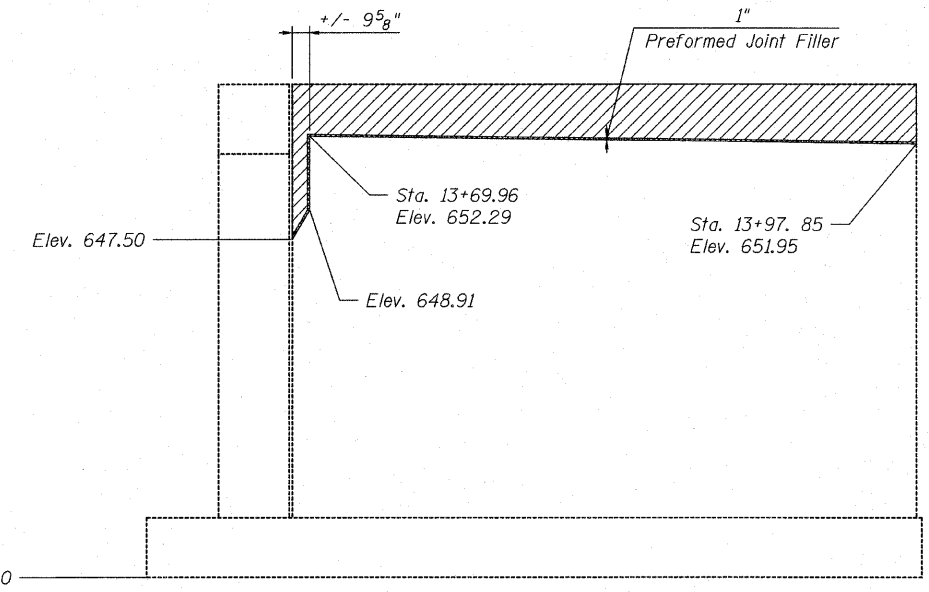
NORTH WEST WINGWALL - ELEVATION
(Elevations taken along F.F. / Wingwall U.N.O.)



PLAN - NORTH ABUTMENT



SOUTH EAST WINGWALL - ELEVATION
(Elevations taken along F.F. / Wingwall U.N.O.)



NORTH EAST WINGWALL - ELEVATION
(Elevations taken along F.F. / Wingwall U.N.O.)

APEX
CONSULTING ENGINEERS, LLC
111 E. Wacker Drive, Suite 820
Chicago, IL 60601
Phone (312) 977-0990 Fax (312) 977-0681

USER NAME =	DESIGNED - HAA	REVISED
PLOT SCALE =	CHECKED - RAD	REVISED
PLOT DATE = 12/08/2011	DRAWN - HAA	REVISED
	CHECKED - RAD	REVISED

STATE OF ILLINOIS
DEPARTMENT OF TRANSPORTATION

WING WALLS ELEVATION AND DETAILS
S.N. 016-0772
SHEET NO. S22 OF S34 SHEETS

F.A.U. RTE.	SECTION	COUNTY	TOTAL SHEETS	SHEET NO.
2845	0505-B	COOK	52	32
CONTRACT NO. 60M7B			ILLINOIS FED. AID PROJECT	