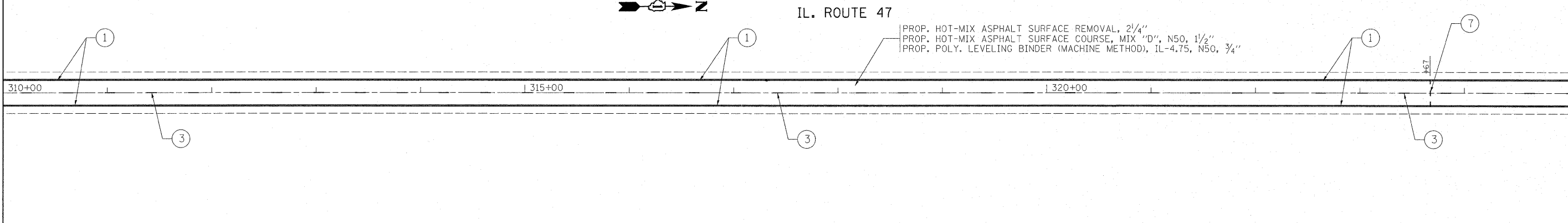


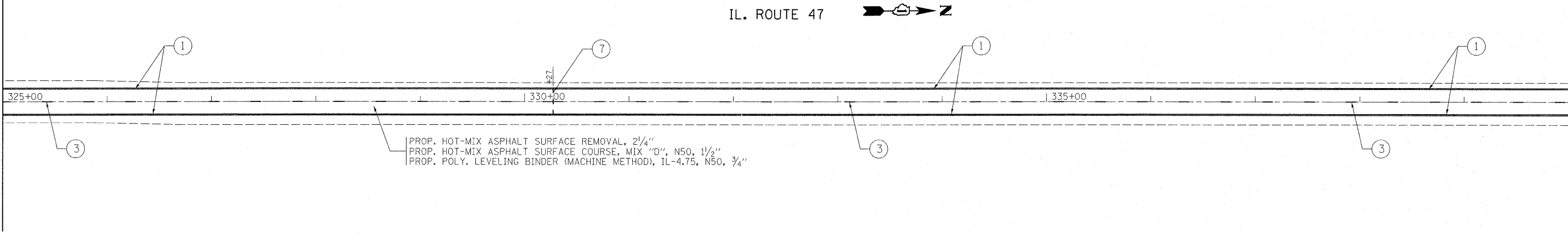
MATCHLINE STA. 310+00



MATCHLINE STA. 325+00

- ① PROP. THERMOPLASTIC PVMT. MARKING 4", LINE, WHITE (TYP.)
- ② PROP. THERMOPLASTIC PVMT. MARKING 4", DOUBLE YELLOW (TYP.)
- ③ PROP. THERMOPLASTIC PVMT. MARKING 4", SKIP DASH, YELLOW (TYP.)
- ④ PROP. THERMOPLASTIC PVMT. MARKING 6", TURN LANE, WHITE (TYP.)
- ⑤ PROP. THERMOPLASTIC PVMT. MARKING 8", DIAGONALS, WHITE (TYP.)
- ⑥ PROP. THERMOPLASTIC PVMT. MARKING 12", DIAGONALS, YELLOW (TYP.)
- ⑦ PROP. THERMOPLASTIC PVMT. MARKING 24", STOP BAR, WHITE (TYP.)

MATCHLINE STA. 325+00



MATCHLINE STA. 340+00

FILE NAME = D138911-shtr-plan.dgn	USER NAME = midyja	DESIGNED -	REVISED -	STATE OF ILLINOIS DEPARTMENT OF TRANSPORTATION	IL. ROUTE 47 (WARE ROAD TO PRICE ROAD) PAVEMENT MARKING SHEET			F.A.P. RTE. 326	SECTION 104-RS-11	COUNTY McHENRY	TOTAL SHEETS 29	SHEET NO. 15
	PLOT SCALE = 50,0000' / in.	CHECKED -	REVISED -		SCALE: 1"= 50'	SHEET NO. OF SHEETS	STA. 310+00.00 TO STA. 340+00.00	CONTRACT NO. 60N39				
	PLOT DATE = 10/20/2011	DATE -	REVISED -		ILLINOIS FED. AID PROJECT							