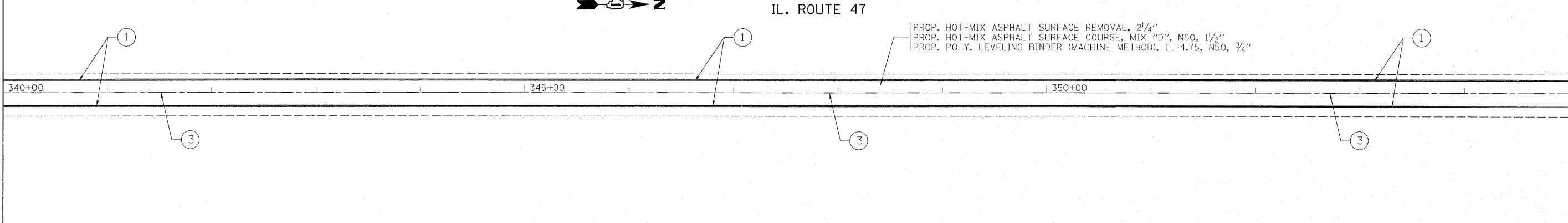


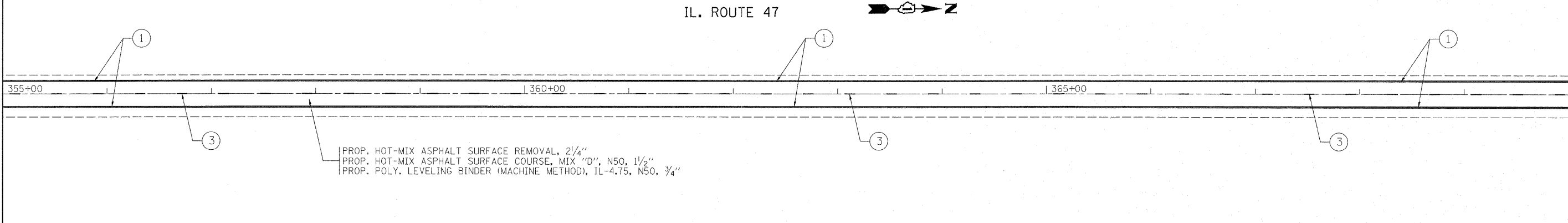
MATCHLINE STA. 340+00



MATCHLINE STA. 355+00

- ① PROP. THERMOPLASTIC PVMT. MARKING 4", LINE, WHITE (TYP.)
- ② PROP. THERMOPLASTIC PVMT. MARKING 4", DOUBLE YELLOW (TYP.)
- ③ PROP. THERMOPLASTIC PVMT. MARKING 4", SKIP DASH, YELLOW (TYP.)
- ④ PROP. THERMOPLASTIC PVMT. MARKING 6", TURN LANE, WHITE (TYP.)
- ⑤ PROP. THERMOPLASTIC PVMT. MARKING 8", DIAGONALS, WHITE (TYP.)
- ⑥ PROP. THERMOPLASTIC PVMT. MARKING 12", DIAGONALS, YELLOW (TYP.)
- ⑦ PROP. THERMOPLASTIC PVMT. MARKING 24", STOP BAR, WHITE (TYP.)

MATCHLINE STA. 355+00



MATCHLINE STA. 370+00

FILE NAME =
D138911-shr-plen.dgn

USER NAME = midjje
PLOT SCALE = 50.0000' / 1" =
PLOT DATE = 10/20/2011

DESIGNED -
DRAWN -
CHECKED -
DATE -

REVISED -
REVISED -
REVISED -
REVISED -

STATE OF ILLINOIS
DEPARTMENT OF TRANSPORTATION

IL. ROUTE 47 (WARE ROAD TO PRICE ROAD)
PAVEMENT MARKING SHEET

SCALE: 1" = 50' SHEET NO. OF SHEETS STA. 340+00.00 TO STA. 370+00.00

F.A.P. RTE.	SECTION	COUNTY	TOTAL SHEETS	SHEET NO.
326	104-RS-11	McHENRY	29	16
CONTRACT NO. 60N39				
ILLINOIS FED. AID PROJECT				