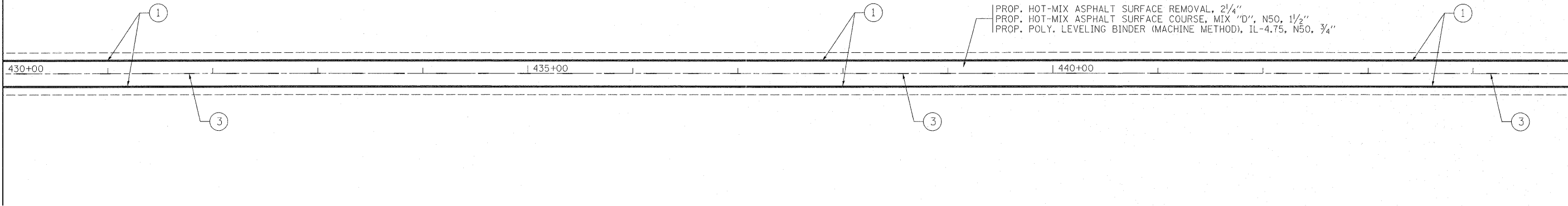


MATCHLINE STA. 430+00

IL. ROUTE 47

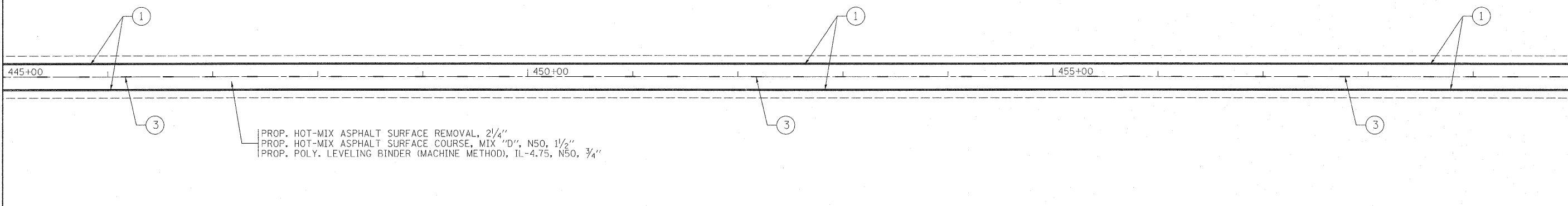


MATCHLINE STA. 445+00

- ① PROP. THERMOPLASTIC PVMT. MARKING 4", LINE, WHITE (TYP.)
- ② PROP. THERMOPLASTIC PVMT. MARKING 4", DOUBLE YELLOW (TYP.)
- ③ PROP. THERMOPLASTIC PVMT. MARKING 4", SKIP DASH, YELLOW (TYP.)
- ④ PROP. THERMOPLASTIC PVMT. MARKING 6", TURN LANE, WHITE (TYP.)
- ⑤ PROP. THERMOPLASTIC PVMT. MARKING 8", DIAGONALS, WHITE (TYP.)
- ⑥ PROP. THERMOPLASTIC PVMT. MARKING 12", DIAGONALS, YELLOW (TYP.)
- ⑦ PROP. THERMOPLASTIC PVMT. MARKING 24", STOP BAR, WHITE (TYP.)

MATCHLINE STA. 445+00

IL. ROUTE 47



MATCHLINE STA. 460+00

FILE NAME =  
0130911-sht-plen.dgn

USER NAME = msdyjs  
PLOT SCALE = 50.0000' / in.  
PLOT DATE = 10/20/2011

DESIGNED -  
DRAWN -  
CHECKED -  
DATE -

REVISED -  
REVISED -  
REVISED -  
REVISED -

STATE OF ILLINOIS  
DEPARTMENT OF TRANSPORTATION

IL. ROUTE 47 (WARE ROAD TO PRICE ROAD)  
PAVEMENT MARKING SHEET

SCALE: 1"= 50' SHEET NO. OF SHEETS STA. 430+00.00 TO STA. 460+00.00

F.A.P. RTE.	SECTION	COUNTY	TOTAL SHEETS	SHEET NO.
326	104-RS-11	McHENRY	29	19
CONTRACT NO. 60N39				
ILLINOIS FED. AID PROJECT				