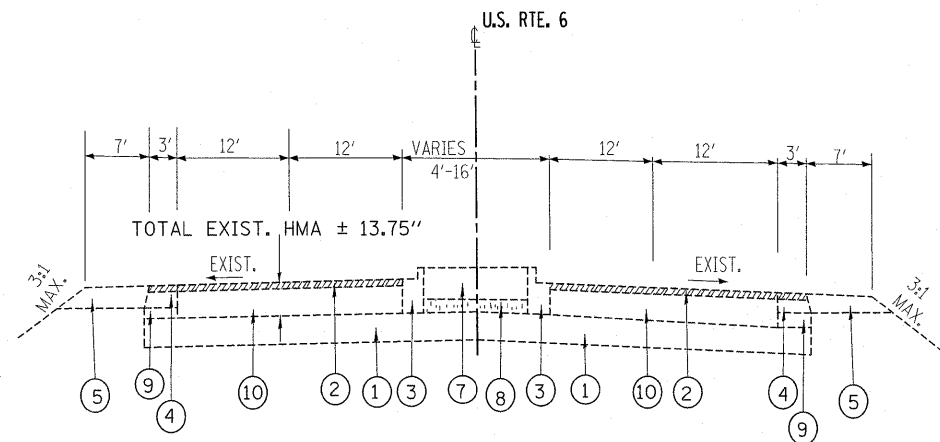


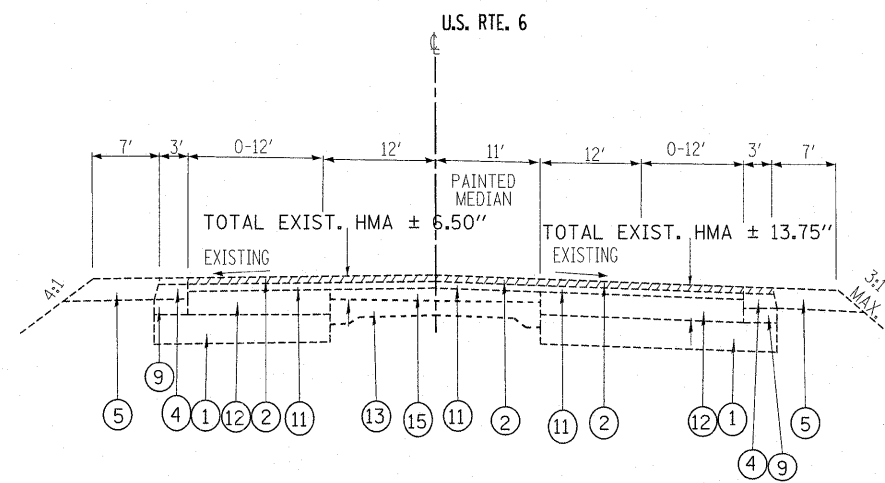
LEGEND

- ① EXIST. AGGREGATE SUBGRADE- 12"
- ② EXIST. HOT-MIX ASPHALT SURFACE REMOVAL - 2 1/4"
- ③ EXIST. COMBINATION CONCRETE CURB AND GUTTER TYPE M-2.12
- ④ EXIST. HMA SHOULDER- 8"
- ⑤ EXIST. AGGREGATE SHOULDER
- ⑥ PROP. AGGREGATE WEDGE SHOULDER
- ⑦ EXIST. STABILIZED MEDIAN SURFACE- 12"
- ⑧ EXIST. SAND FILL
- ⑨ EXIST. AGGREGATE SUBGRADE
- ⑩ EXIST. REMAINING HMA AFTER MILLING, (±) 11.5"
- ⑪ EXIST. REMAINING HMA AFTER MILLING (±) 0.75"
- ⑫ EXIST. HMA BINDER COURSE- 10 3/4"
- ⑬ EXIST. CONCRETE BASE COURSE- 8"
- ⑭ EXIST. P.C.C. PAVEMENT
- ⑮ EXIST. HMA BINDER COURSE
- ⑯ EXIST. BITUMINOUS SHOULDER
- ⑰ PROP. HOT-MIX ASPHALT SURFACE COURSE, MIX "D", N70, 1/2"
- ⑱ PROP. LEVELING BINDER (MACHINE METHOD), IL-4.75, N50, 3/4"



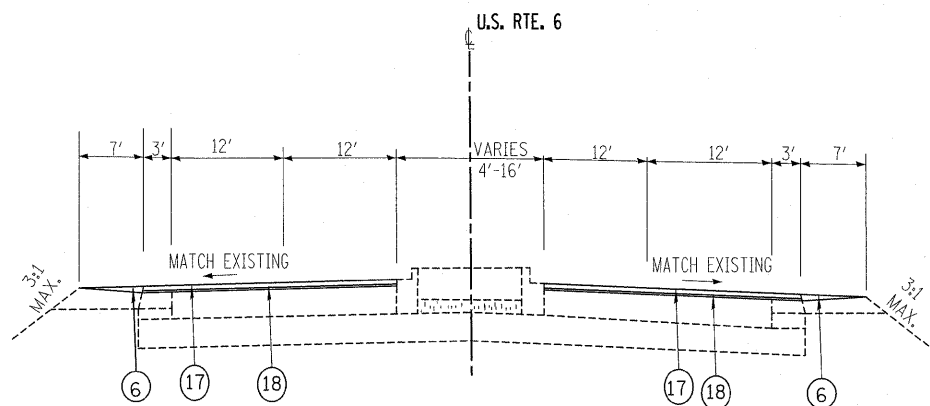
**EXISTING TYPICAL SECTION
U.S. ROUTE 6**

STA. 22+7.90 TO 24+55



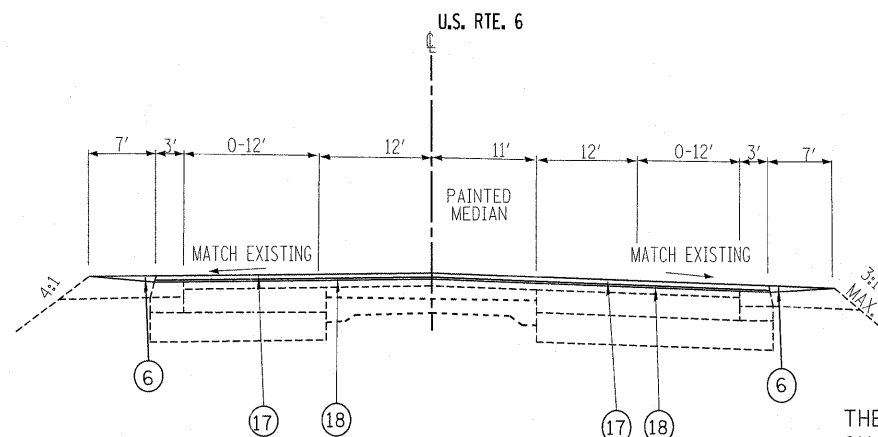
**EXISTING TYPICAL SECTION
U.S. ROUTE 6**

STA. 24+55 TO STA 35+92



**PROPOSED TYPICAL SECTION
U.S. ROUTE 6**

STA. 22+7.90 TO 24+55



**PROPOSED TYPICAL SECTION
U.S. ROUTE 6**

STA. 24+55 TO STA 35+92

HOT-MIX ASPHALT MIXTURE REQUIREMENTS

MIXTURE USE	AIR VOIDS @ NDES
HMA SURFACE COURSE, MIX "D", N70 (IL 9.5 mm)	4% @ 70 Gyr.
POLY. LEVELING BINDER (MM), IL-4.75, N50	4% @ 50 Gyr.
CLASS D PATCH (HMA BINDER IL-19 mm)	4% @ 70 Gyr.
HMA REPLACEMENT OVER PATCHES (HMA BINDER IL-19 mm)	4% @ 70 Gyr.

THE UNIT WEIGHT USED TO CALCULATE ALL HMA SURFACE MIXTURE QUANTITIES IS 112 LBS/SQYD/IN.

THE "AC TYPE" FOR POLYMERIZED HMA MIXES SHALL BE "SBS/SBR PG 76-22" AND FOR NON-POLYMERIZED HMA THE "AC TYPE" SHALL BE "PG 64 -22" UNLESS MODIFIED BY DISTRICT ONE SPECIAL PROVISIONS. FOR "PERCENT OF RAP" SEE DISTRICT ONE SPECIAL PROVISIONS.

**"THE CONTRACTOR SHALL MILL FIRST PRIOR TO PATCHING."
(STA. 22 + 7.90 TO STA. 35 + 92)**