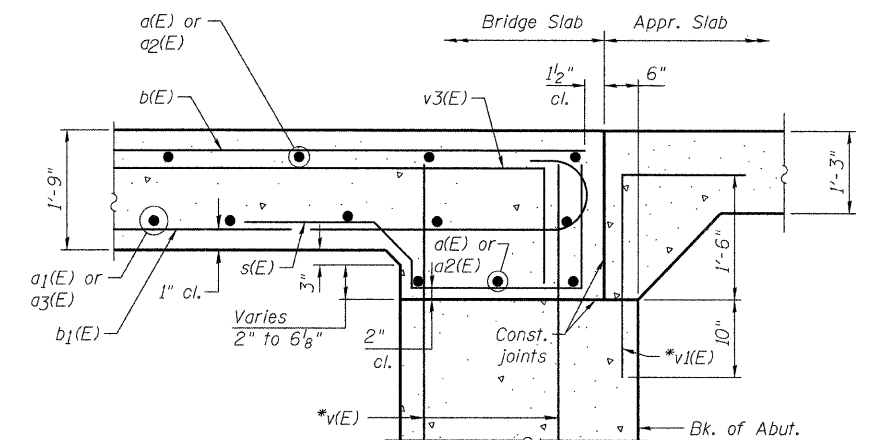


**PLAN**



**SECTION A-A**

Pour bridge slab before pouring approach slab.

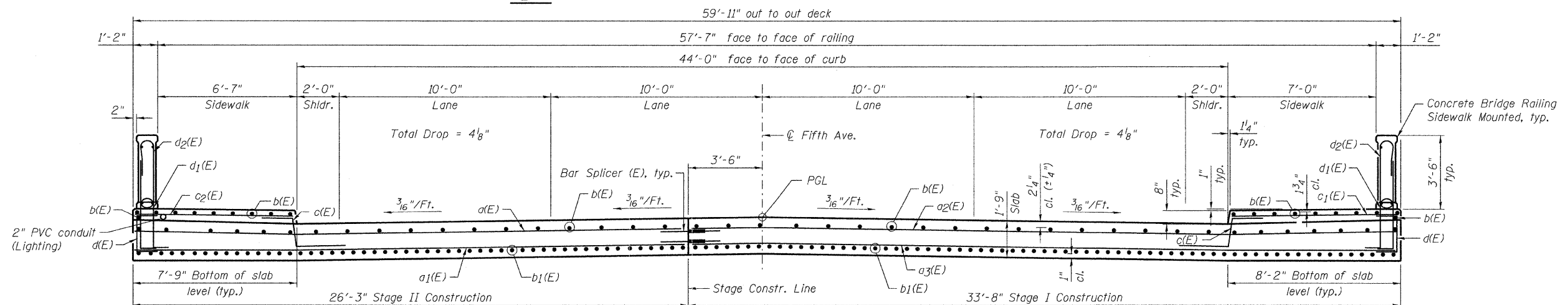
\*v(E) and v1(E) bars included with the abutments on sheet S-13.

**MINIMUM BAR LAP**

#5 Bars = 2'-11"

**NOTES:**

1. See sheet S-10 for Superstructure details and Bill of Material.
2. Bars indicated thus 20x3 - #5 etc. indicates 20 lines of bars with 3 lengths per line.
3. See sheet S-9 for sidewalk details and bridge rail reinforcement.



**CROSS SECTION**

(Looking North)

N:\PROJ\0003377\00\0023377\06\Design\Structural\CAD\016-2818\_08 Deck and Cross Section.dgn



USER NAME = bsauter	DESIGNED BWS	REVISED -
DESIGNED BWS	CHECKED LVH	REVISED -
PLOT SCALE = 5/4 1' / in.	DRAWN RD	REVISED -
PLOT DATE = 12/5/2011	CHECKED AMK	REVISED -

**STATE OF ILLINOIS  
DEPARTMENT OF TRANSPORTATION**

**SUPERSTRUCTURE PLAN AND CROSS SECTION  
STRUCTURE NO. 016-2818**

SHEET NO. S-8 OF S-17 SHEETS

F.A.U. RTE.	SECTION	COUNTY	TOTAL SHEETS	SHEET NO.
2742	3222-W-BR	COOK	51	33
CONTRACT NO. 62116			ILLINOIS FED. AID PROJECT	