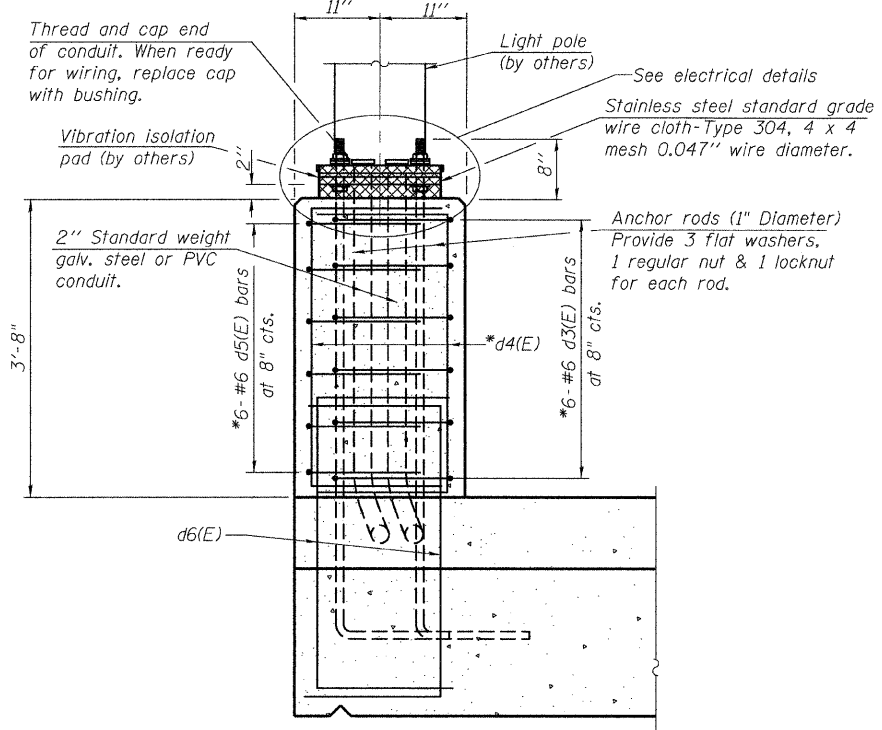
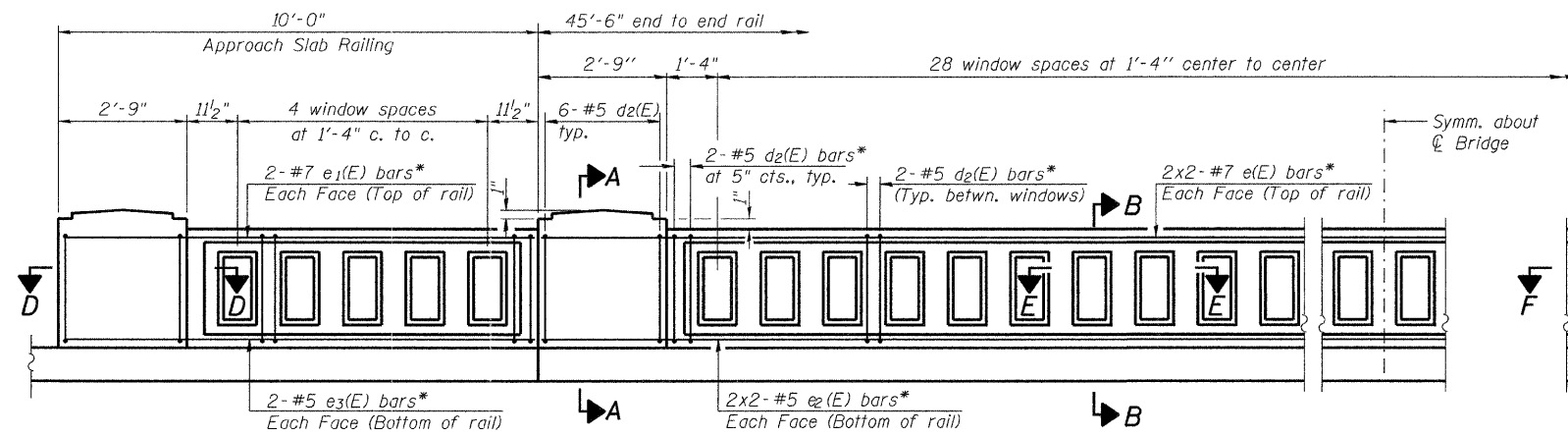


**SECTION A-A**



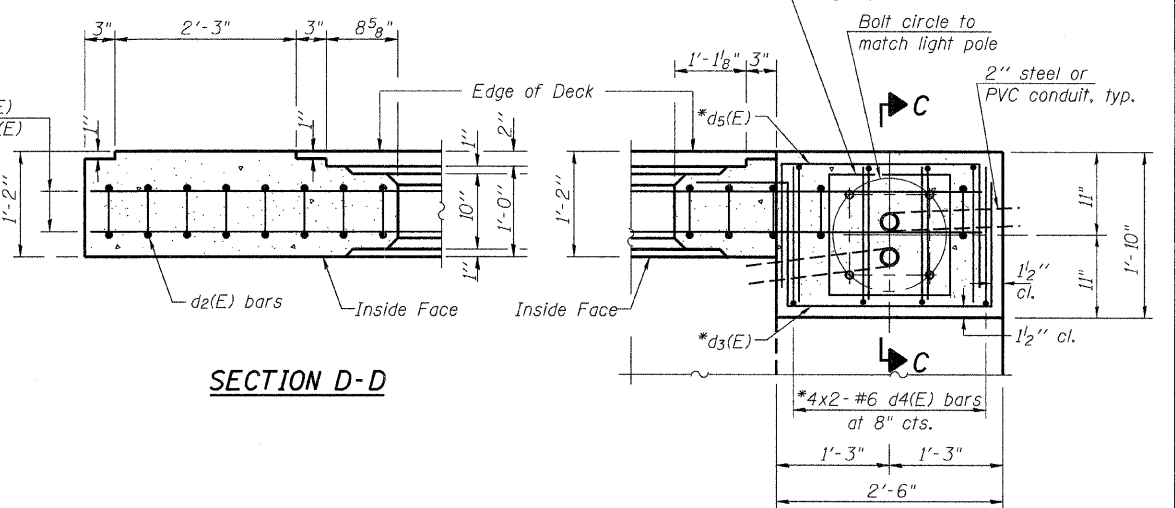
**SECTION C-C**

Rebars shown in Section A-A omitted for clarity



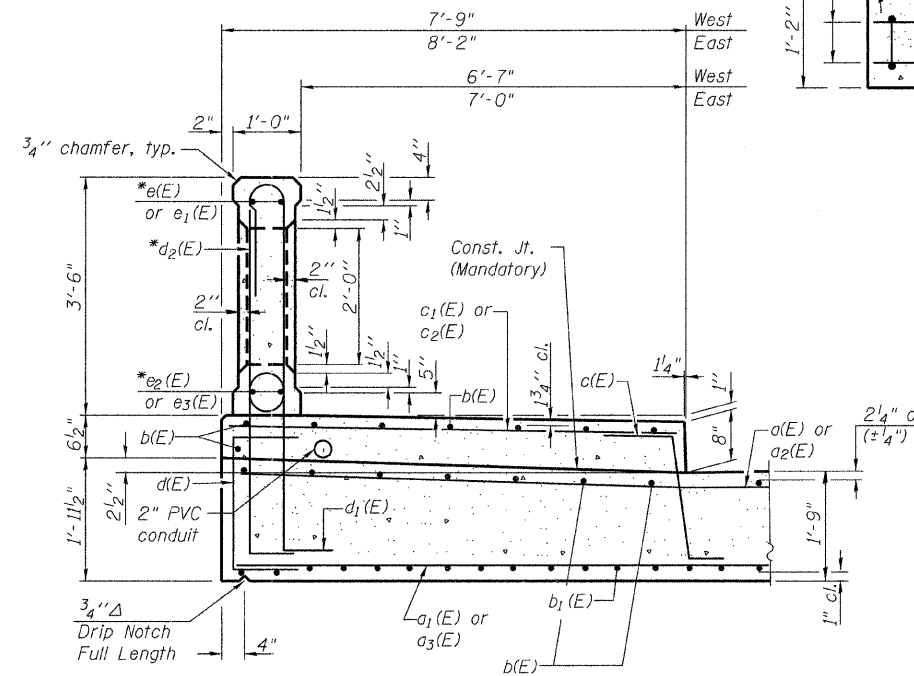
**INSIDE ELEVATION OF RAIL**

Omit Approach Slab Railing on Northwest corner



**SECTION D-D**

**SECTION F-F**

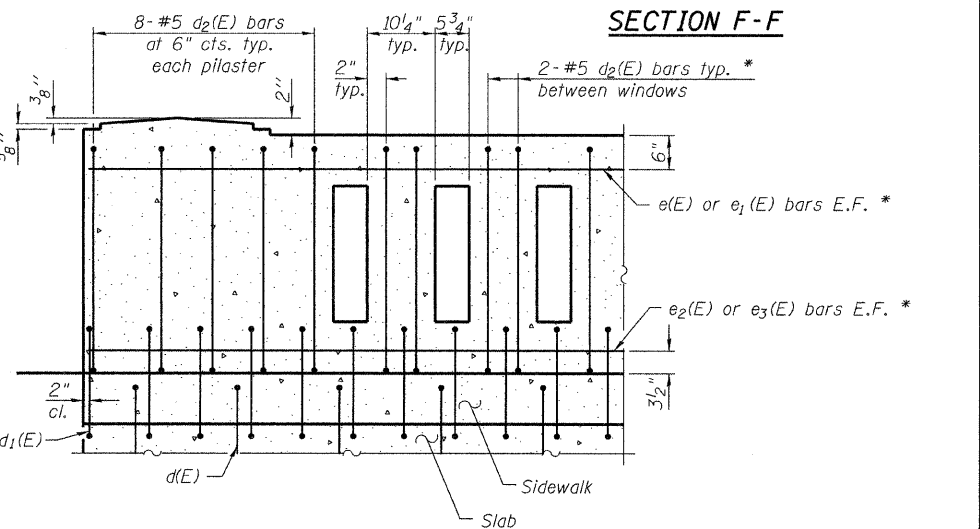


**SECTION B-B**

\*Bars e(E) thru e3(E), d2(E), d3(E), d4(E), and d5(E) are included in the cost of Concrete Bridge Railing, Sidewalk Mounted.

**NOTES:**

- All concrete for railing wall shall be Class BS according to Article 1020.04 of the Standard Specifications. Surface of railing shall receive a rubbed finish according to Article 503.15(b) of the Standard Specifications.
- All parts of the railing including concrete and reinforcing will be paid for at the contract unit price per foot for Concrete Bridge Railing, Sidewalk Mounted.
- Holes and recesses must be formed or cored. Drilling is not permitted.
- Cost of anchor rods and conduit is included with Concrete Superstructure. See sheet S-10 for Anchor Rod details.
- For Section E-E see sheet S-10.



**TYPICAL REINFORCEMENT PLACEMENT**  
(Inside Face)

**BAR LIST**

For Information Only

Bar	No.	Size	Length	Shape
d2(E)	198	# 5	8'-8"	U
d3(E)	6	# 6	5'-11"	U
d4(E)	8	# 6	6'-4"	U
d5(E)	6	# 6	5'-2"	U
e(E)	8	# 7	25'-6"	—
e1(E)	6	# 7	9'-8"	—
e2(E)	8	# 5	24'-3"	—
e3(E)	6	# 5	9'-8"	—

For bar details see sheet S-10.

**MINIMUM BAR LAP**

#5 Bars = 3'-3"  
#7 Bars = 5'-10"

\\svr202\Public\PROJ\00023377\00\0003377\06\Design\Structural\016-2818\_09 Bridge Railing Details.dgn



USER NAME = bsauter	DESIGNED BWS	REVISED -
CHECKED LVH	REVISED -	
DRAWN RD	REVISED -	
CHECKED AMK	REVISED -	
PLOT SCALE = 0.083333 1/16"		
PLOT DATE = 12/5/2011		

**STATE OF ILLINOIS**  
**DEPARTMENT OF TRANSPORTATION**

**CONCRETE BRIDGE RAILING SIDEWALK MOUNTED**  
**STRUCTURE NO. 016-2818**

SHEET NO. S-9 OF S-17 SHEETS

F.A.U. RTE. 2742	SECTION 3222-W-BR	COUNTY COOK	TOTAL SHEETS 51	SHEET NO. 34
CONTRACT NO. 62116			ILLINOIS FED. AID PROJECT	