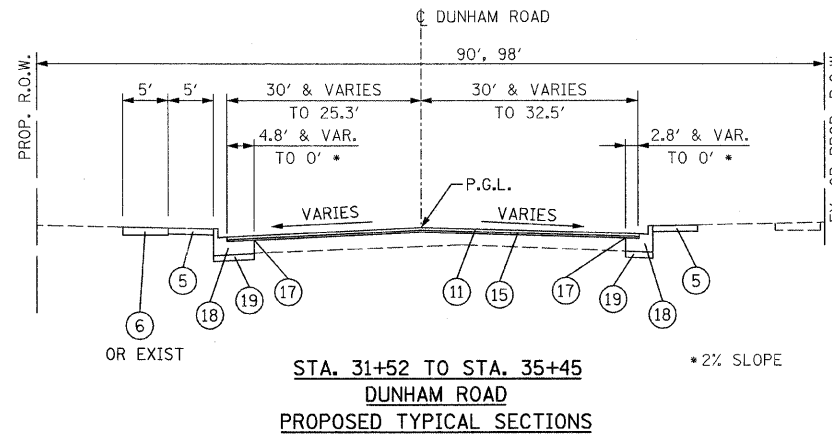
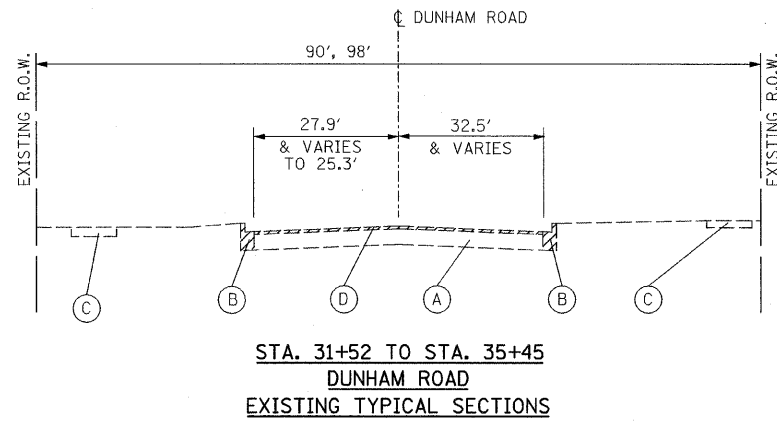
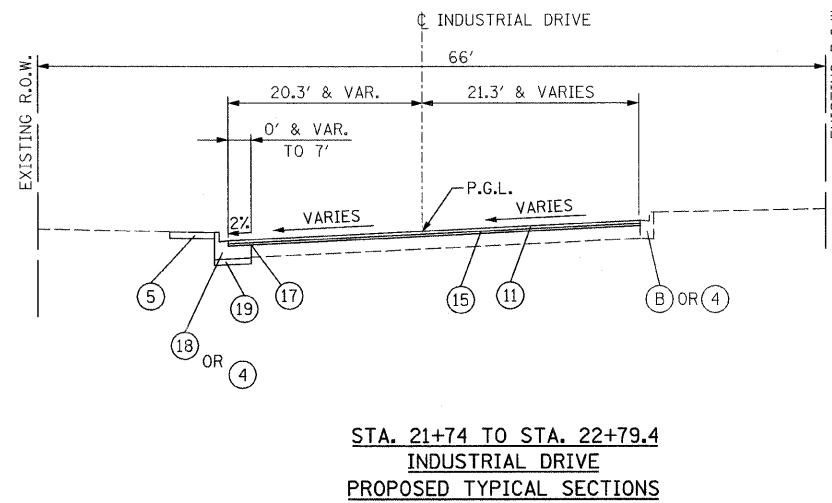
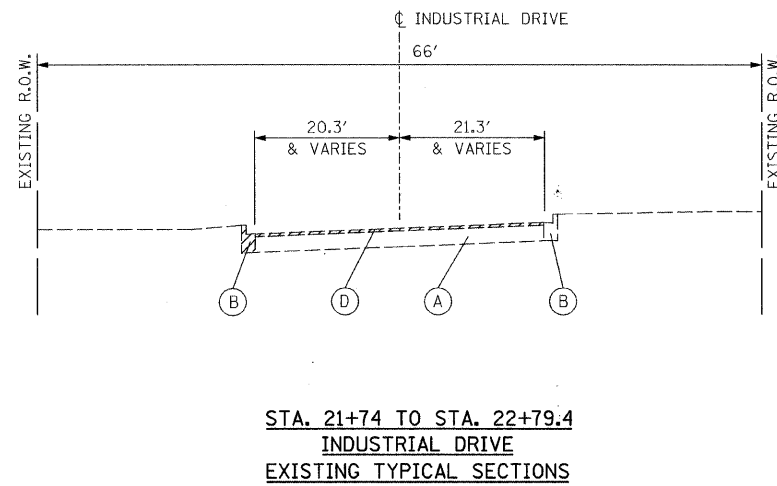


F.A.P. RTE.	SECTION	COUNTY	TOTAL SHEETS	SHEET NO.
307	129-R-2	KANE	243	18
STA.		TO STA.		
FED. ROAD DIST. NO. 1		ILLINOIS FED. AID PROJECT		
CONTRACT NO. 62195				



- EXISTING LEGEND**
- (A) EXISTING BITUMINOUS PAVEMENT
 - (B) EXISTING COMBINATION CURB AND GUTTER
 - (C) EXISTING SIDEWALK
 - (D) HMA SURFACE REMOVAL, 2 1/2"
- REMOVAL ITEMS



- LEGEND**
- (1) P.C.C. PAVEMENT, 9 3/4" (JOINTED) (EXTENDED LIFE PAVEMENT)
 - (2) AGGREGATE SUBGRADE, 12"
 - (2A) AGGREGATE SUBGRADE, SPECIAL (12" THICKNESS, EXTENDED LIFE PAVEMENT)
 - (3) COMB. CONCRETE CURB AND GUTTER, TYPE B-6.24 (SEE NOTE 4)
 - (4) COMB. CONCRETE CURB AND GUTTER, TYPE B-6.12 (SEE NOTE 4)
 - (5) SODDING (SALT TOLERANT) & TOPSOIL FURNISH AND PLACE, 4"
 - (6) P.C.C. SIDEWALK, 5"
 - (7) NOT USED
 - (8) NO. 6 EPOXY-COATED TIE BARS @ 24" C-C. AND 24" LONG, DRILLED AND GROUTED (COST WILL BE INCLUDED IN P.C.C. PAVEMENT)
 - (9) LONGITUDINAL CONSTRUCTION JOINT WITH #8 EPOXY COATED DEFORMED TIE BARS @ 24" C-C. AND 24" LONG, DRILLED AND GROUTED (INCLUDED IN THE COST OF P.C.C. PAVEMENT)
 - (10) SAWED LONGITUDINAL JOINT WITH #6 EPOXY COATED DEFORMED TIE BARS @ 30" C-C, 30" LONG (INCLUDED IN THE COST OF P.C.C. PAVEMENT)
 - (11) POLYMERIZED HOT-MIX ASPHALT SURFACE COURSE, MIX "F", N90, 1 3/4"
 - (12) STABILIZED SUBBASE - HOT-MIX ASPHALT, 4 1/2" (EXTENDED LIFE PAVEMENT)
 - (13) HOT-MIX ASPHALT BASE COURSE, 10 3/4"
 - (14) POLYMERIZED HOT-MIX ASPHALT BINDER COURSE, IL-19.0, N90, 2 1/4" MIN. & VARIES
 - (15) POLYMERIZED LEVELING BINDER, (MACHINE METHOD), IL-4.75, N50, 3/4"
 - (16) COMB. CONCRETE CURB AND GUTTER, TYPE B-6.24 (SPECIAL) (SEE TYP. SECTION NOTES 4 & 5)
 - (17) NOT USED
 - (18) COMB. CONCRETE CURB AND GUTTER, TYPE B-6.12 (SPECIAL) (SEE TYP. SECTION NOTES 4 & 5)
 - (19) SUBBASE GRANULAR MATERIAL, TYPE B, 6"

FILE NAME = r:\62195\dunham\typ.dgn
PLOT DATE = 10/26/2011
PLOT SCALE = 1/8" = 1' IN.

CR & A
CHRISTIAN-ROGE & ASSOCIATES, INC.
ENGINEERS-PLANNERS-SURVEYORS
211 WEST WACKER DRIVE
CHICAGO, ILLINOIS 60606
1-312-372-2023 FAX: 1-312-372-5274

REVISIONS	
NAME	DATE

ILLINOIS DEPARTMENT OF TRANSPORTATION

TYPICAL SECTIONS
DUNHAM ROAD AND
INDUSTRIAL DRIVE

SCALE: 1" = 50'
DATE: OCTOBER 26, 2011

DRAWN BY B.K.
CHECKED BY S.J.P.