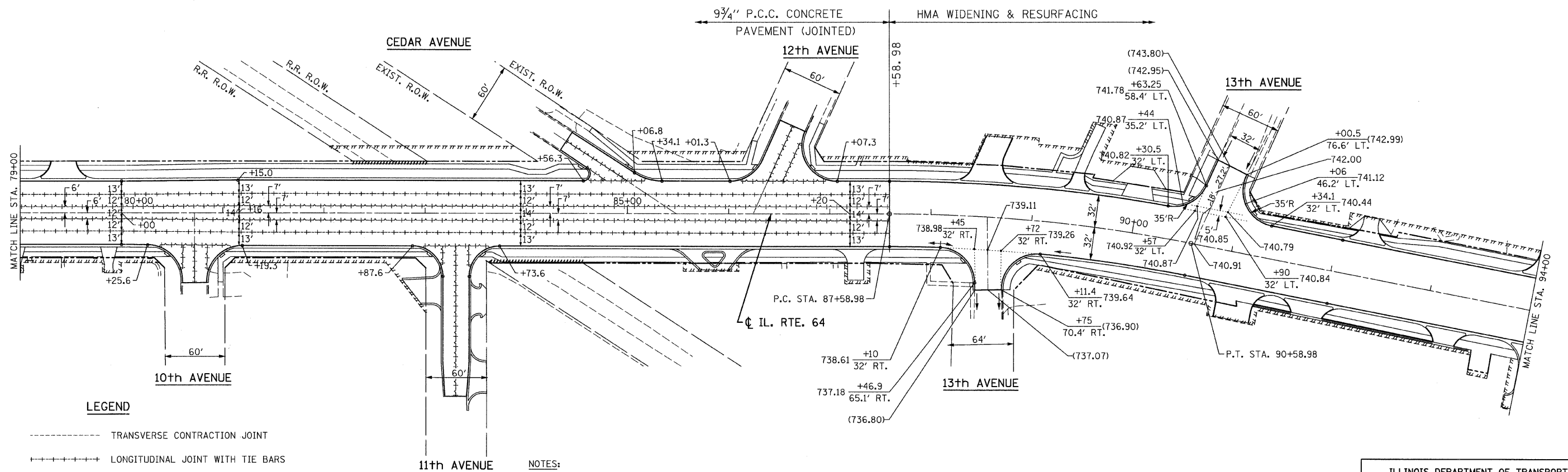
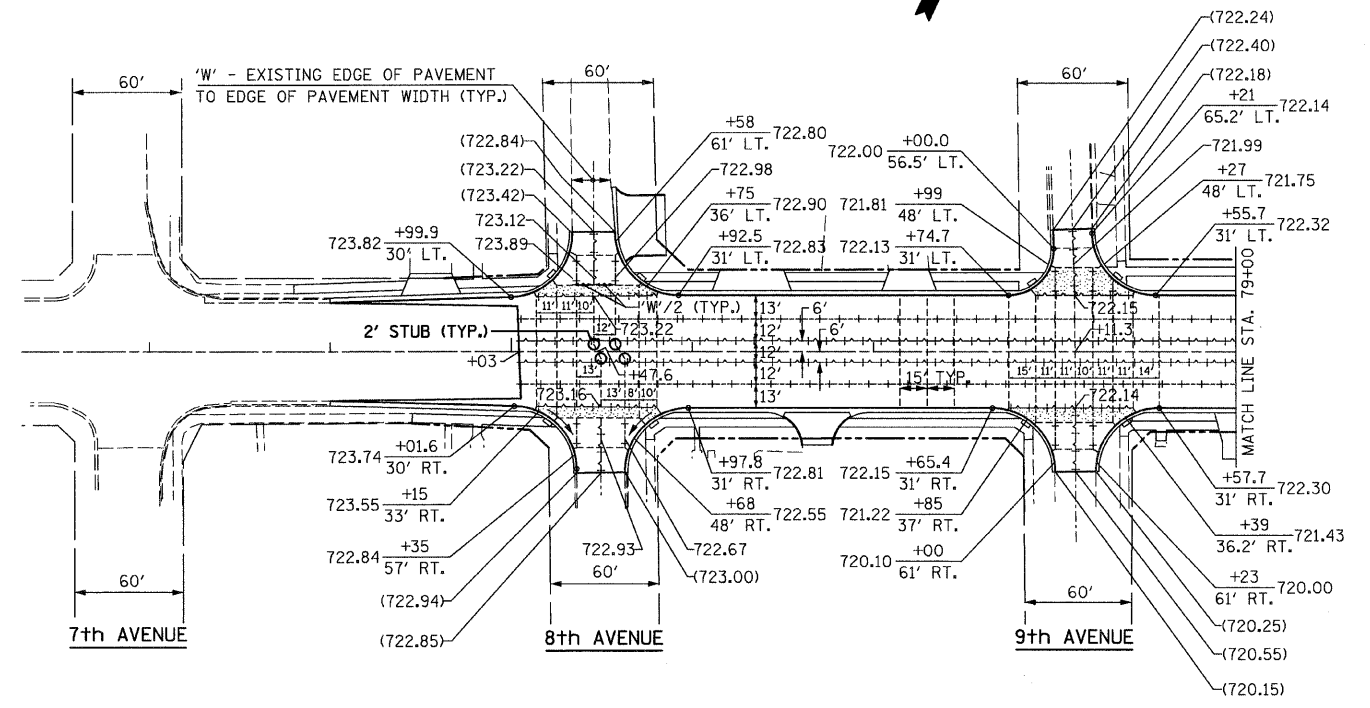
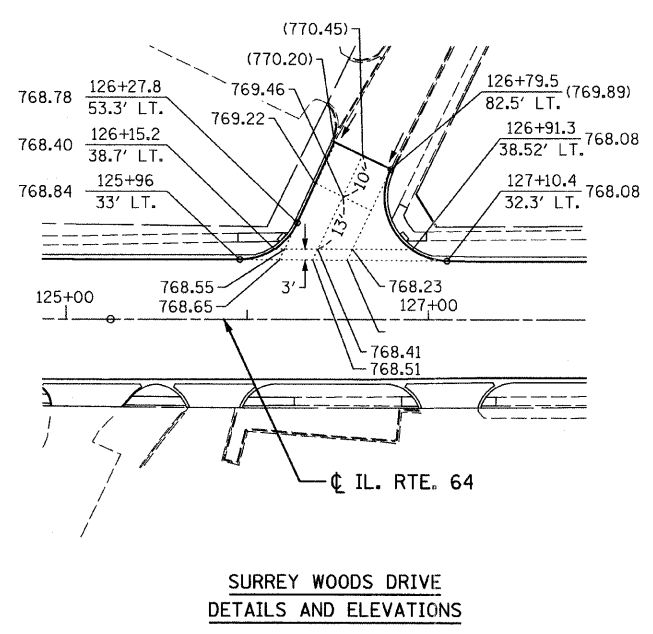
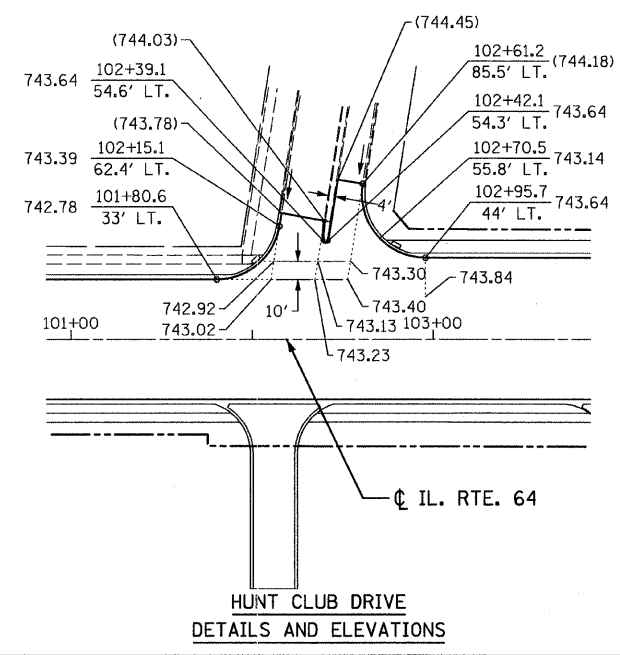


F.A.P. RTE.	SECTION	COUNTY	TOTAL SHEETS	SHEET NO.
307	129-R-2	KANE	243	55
STA.		TO STA.		
FED. ROAD DIST. NO. 1		ILLINOIS FED. AID PROJECT		
CONTRACT NO. 62195				



CITY OF ST. CHARLES



LEGEND

- TRANSVERSE CONTRACTION JOINT
- +++++ LONGITUDINAL JOINT WITH TIE BARS
- LONGITUDINAL JOINT WITH TIE BARS
- (722.85) EXISTING ELEVATION
- 722.84 +35 / 57' RT. PROPOSED STATION, OFFSET & ELEVATION
- TRANSITION PANEL WITH DOWEL BARS ON ALL FOUR SIDES

NOTES:

1. ALL PAVEMENT STUBS SHALL BE 2' MINIMUM.
2. FOR ADDITIONAL JOINTING NOTES, SEE STANDARD 420001 - PAVEMENT JOINTS.
3. FOR ADDITIONAL JOINTING NOTES, SEE STANDARD 420101 - 24' (7.2m) JOINTED PCC PAVEMENT.
4. FOR ADDITIONAL JOINTING NOTES, SEE DISTRICT ONE SPECIAL PROVISION - DETAIL OF PAVEMENT SEPARATION JOINT FOR JOINTED PCC PAVEMENTS AT INTERSECTIONS.

**CR & A**  
**CHRISTIAN-ROGE & ASSOCIATES, INC.**  
 ENGINEERS-PLANNERS-SURVEYORS  
 211 WEST WACKER DRIVE  
 CHICAGO, ILLINOIS 60606  
 1-312-372-2023 FAX: 1-312-372-5274

REVISIONS	
NAME	DATE

ILLINOIS DEPARTMENT OF TRANSPORTATION  
**P.C.C. PAVEMENT JOINTS AND SIDE ROAD DETAILS**  
 ILLINOIS ROUTE 64  
 SCALE: 1" = 50'  
 DATE: OCTOBER 26, 2011  
 DRAWN BY B.K.  
 CHECKED BY S.J.P.

FILE NAME = jointed.dgn  
 PLOT DATE = 10/26/2011  
 PLOT SCALE = 50.000000 Ft. / IN.