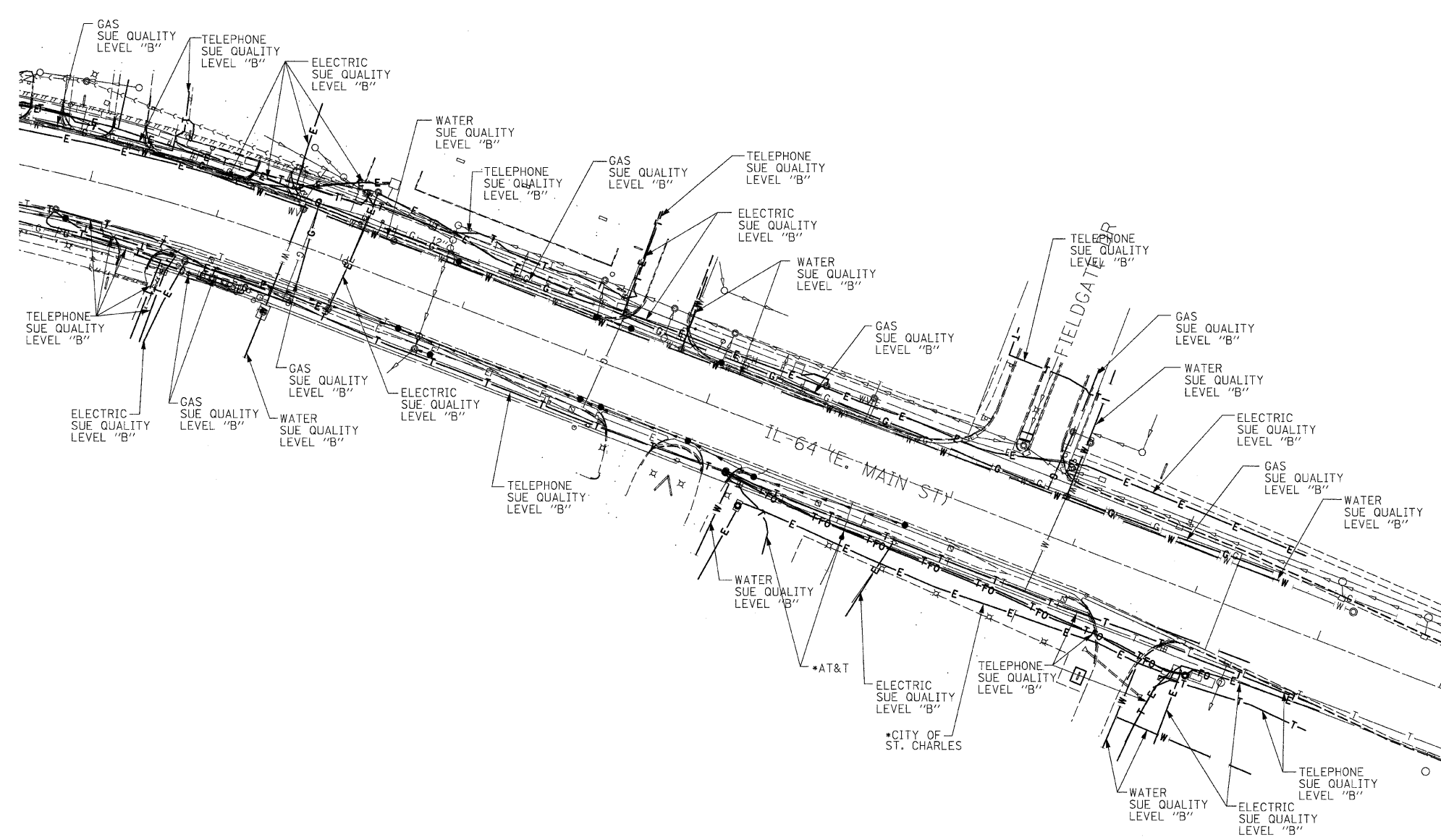
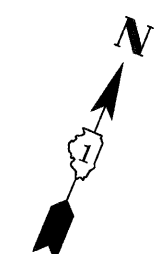



F.A. RTE.	SECTION	COUNTY	TOTAL SHEETS	SHEET NO.
	129R-2	KANE	243	63
STA. 139+50		TO STA. 151+00		
FED. ROAD DIST. NO.	ILLINOIS	FED. AID PROJECT		



TBE GROUP, INC.
 CIVIL ENGINEERING * TRANSPORTATION * ENVIRONMENTAL
 * PLANNING * UTILITY ENGINEERING/LOCATING
 SOUTHERN REGION: FL, GA, SC, NC
 NORTHERN REGION: IL, IN, MI, OH, MD, NJ, NY
 PA, VA, CANADA
 WESTERN REGION: AZ, NV, NM, TX, CA, OR, UT, WA
 IL09500149, IL09510422
 TBE SUE PAGE NO: 7 of 7
 Checked by: _____
 SUE Quality Level "A" : Test Holes
 SUE Quality Level "B" : Designating

— T — T —	TELEPHONE
— W — W —	WATER
— G — G —	GAS
— CTV — CTV —	CABLE TELEVISION
— FO — FO —	FIBER OPTIC
— E — E —	ELECTRIC
⊙	TEST HOLE

Utilities shown on these plans as depicted in the legend have been investigated by TBE Group, Inc in accordance with SUE Industry Standards. All other information shown has been provided to TBE Group, Inc by others. Additional utilities labeled with utility owner investigated by TBE 10/22/10 - 10/28/10 depicted by *.


 205 W. WACKER DRIVE
 SUITE 1020
 CHICAGO, IL 60606
 (312) 704-1970

REVISIONS	
NAME	DATE
UPDATED DESIGNATING	11/01/10

ILLINOIS DEPARTMENT OF TRANSPORTATION
 SUE Investigation of Underground Utilities
 IL RTE. 64 (E MAIN STREET)
 FROM 7TH AVENUE TO DUNHAM ROAD
 Contract No. : 62195 DRAWN BY : KLC
 DATE SQL "B" : 6/11/03 SCALE : 1" = 50'

