

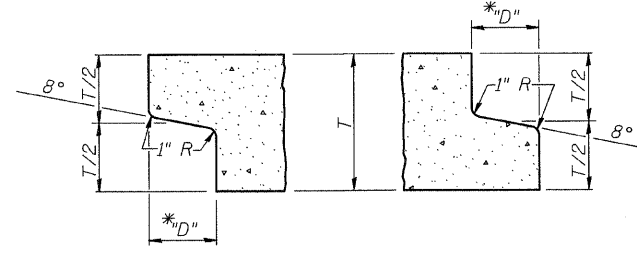
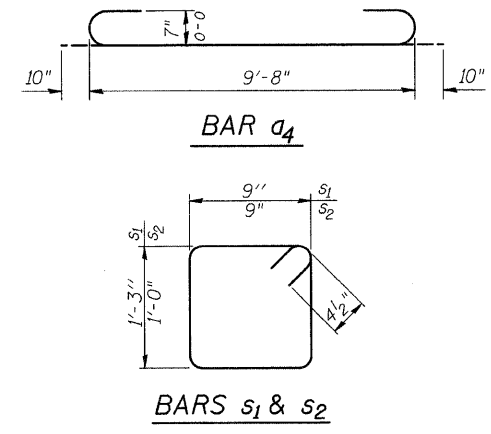
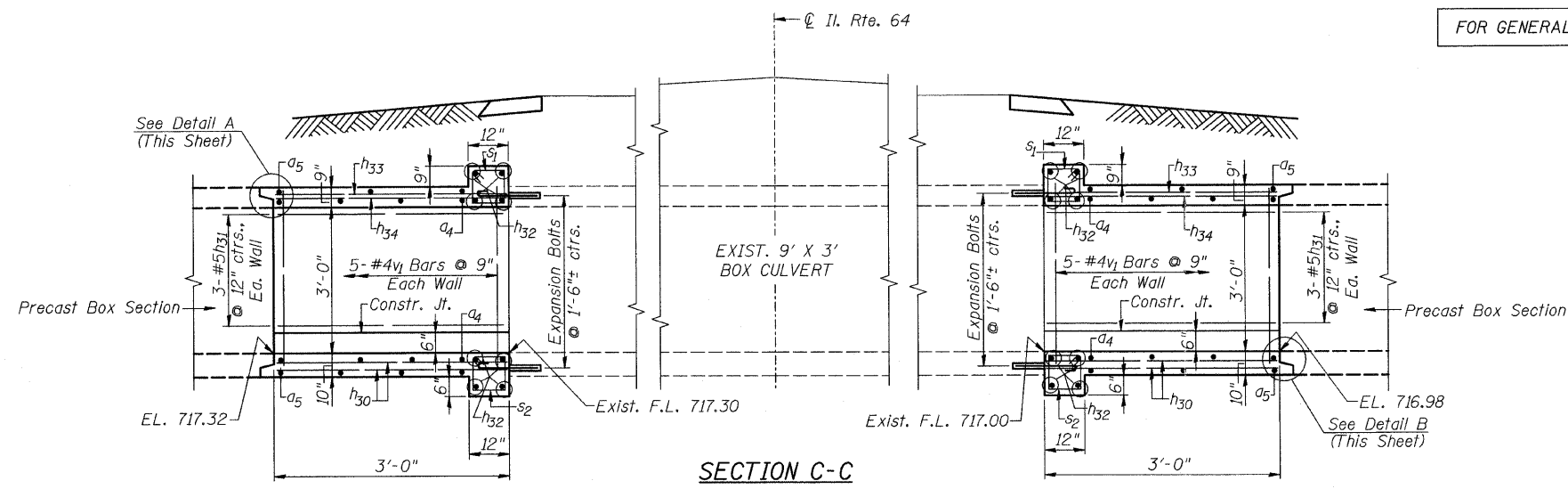
F.A.P. RTE.	SECTION	COUNTY	TOTAL SHEETS	SHEET NO.
307	129-R-2	KANE	243	78
STA.		TO STA.		
FED. ROAD DIST. NO. 1		ILLINOIS	FED. AID PROJECT	

CONTRACT NO. 62195

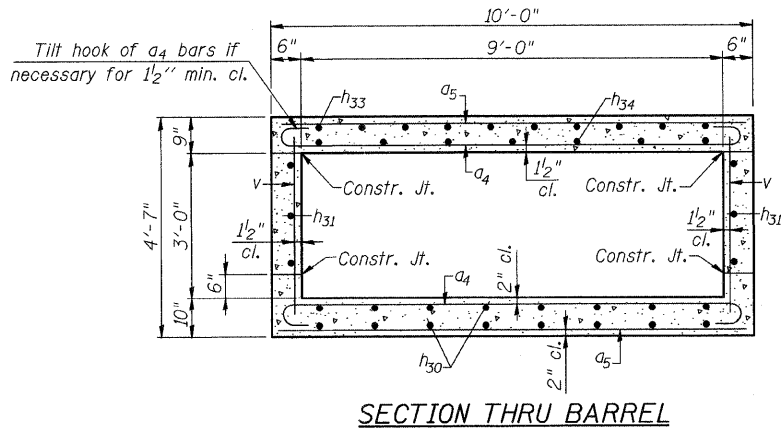
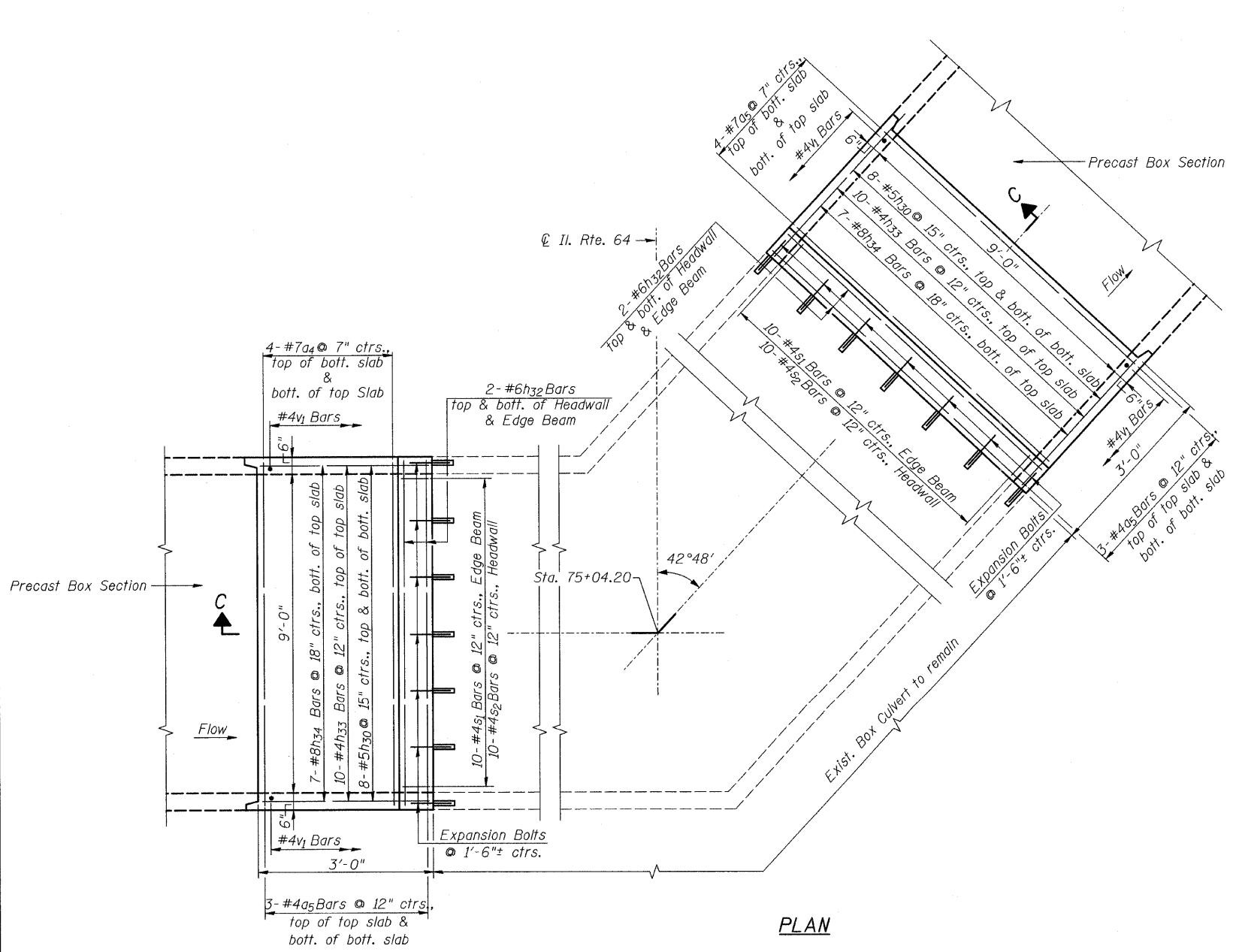
FOR GENERAL NOTES, SEE SHT. 1

BILL OF MATERIAL
(2 EXTENSIONS)

Bar	No.	Size	Length	Shape
a ₄	16	#7	11'-4"	
a ₅	12	#5	9'-8"	—
h ₃₀	32	#5	2'-9"	—
h ₃₁	12	#5	2'-9"	—
h ₃₂	16	#6	9'-8"	—
h ₃₃	20	#4	2'-9"	—
h ₃₄	14	#8	2'-9"	—
s ₁	20	#4	4'-9"	
s ₂	20	#4	4'-3"	
v ₁	20	#4	4'-3"	—
Concrete Box Culverts			Cu. Yds.	6.1
Reinforcement Bars			Lbs.	1,170
Expansion Bolts 3/4 Inch x 15 Inch			Each	36



DETAIL A (Typ. Inlet End)**
DETAIL B (Typ. Outlet End)**
The "D" dimension shall conform to the Manufacturer's Standards.
** Inlet and Outlet Ends shall be compatible.



SHEET 2 OF 2

ILLINOIS DEPARTMENT OF TRANSPORTATION

CAST-IN-PLACE
9'x3' BOX CULVERT
EXTENSION DETAILS
STATION 75+04.20
KANE COUNTY

REVISIONS	
NAME	DATE

SCALE: 1/2"=1'-0"
DATE: AUGUST 10, 2011
DRAWN BY: F.M.
CHECKED BY: B.N.S.
CHRISTIAN-ROGE & ASSOC., INC.
CHICAGO ILLINOIS

FILE NAME = r4e64 culvert3.dgn
PLOT DATE = 9/12/2011
PLOT SCALE = 3/32" = 1' / IN.