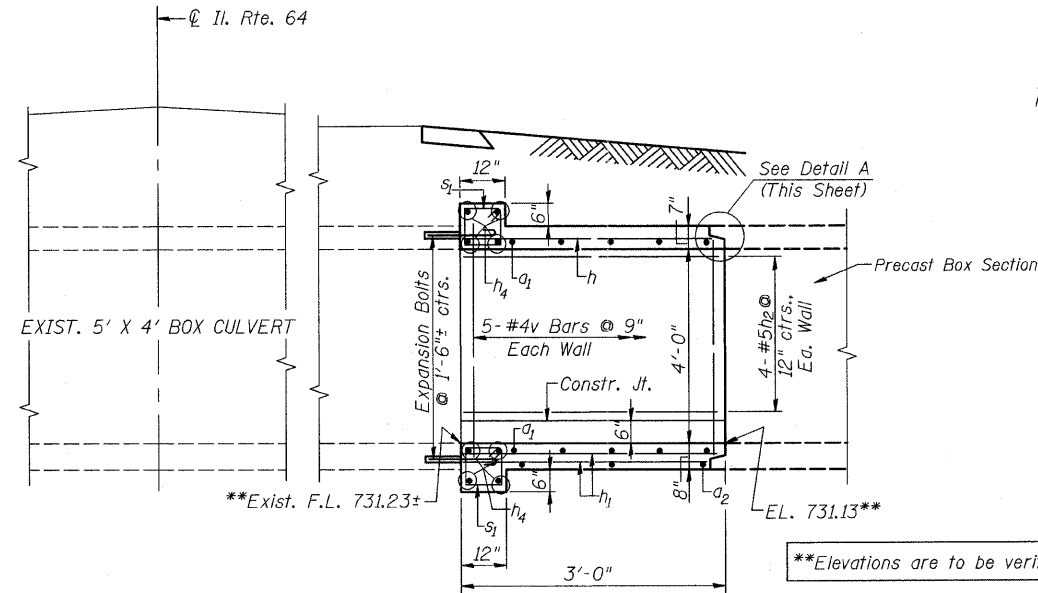


F.A.P. RTE.	SECTION	COUNTY	TOTAL SHEETS	SHEET NO.
307	129-R-2	KANE	243	80
STA.		TO STA.		
FED. ROAD DIST. NO. 1		ILLINOIS	FED. AID PROJECT	

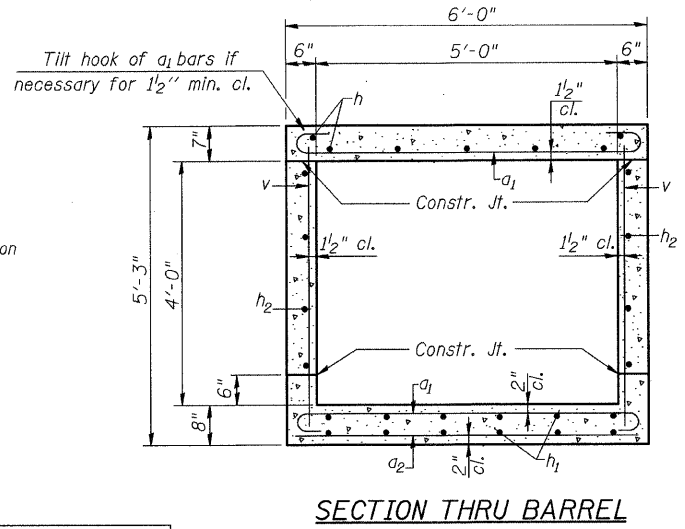
CONTRACT NO. 62195

GENERAL NOTES

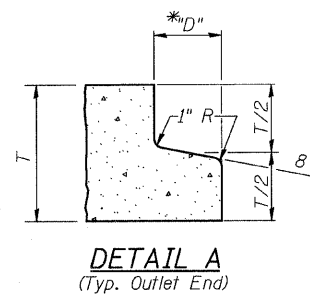
1. The $*D$ " dimension shall conform to the Manufacturer's Standards.
2. Bell and Spigot ends may be cast in place against the precast section or may be formed to match the precast section.
3. Exposed edges shall be beveled $\frac{3}{4}$ ".
4. Reinforcement Bars shall be in accordance with Section 508 of The Standard Specifications.
5. Expansion Bolts shall be in accordance with Section 706.09 of The Standard Specifications.
6. For backfilling and embankment see the applicable portions of Section 542 of The Standard Specifications.
7. The Cast-In-Place extension shall be of Class SI Concrete.



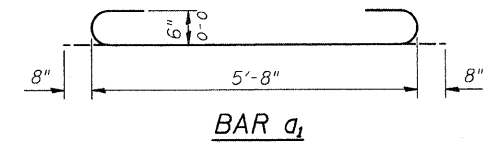
ELEVATION



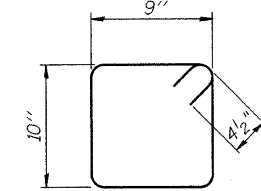
SECTION THRU BARREL



DETAIL A
(Typ. Outlet End)



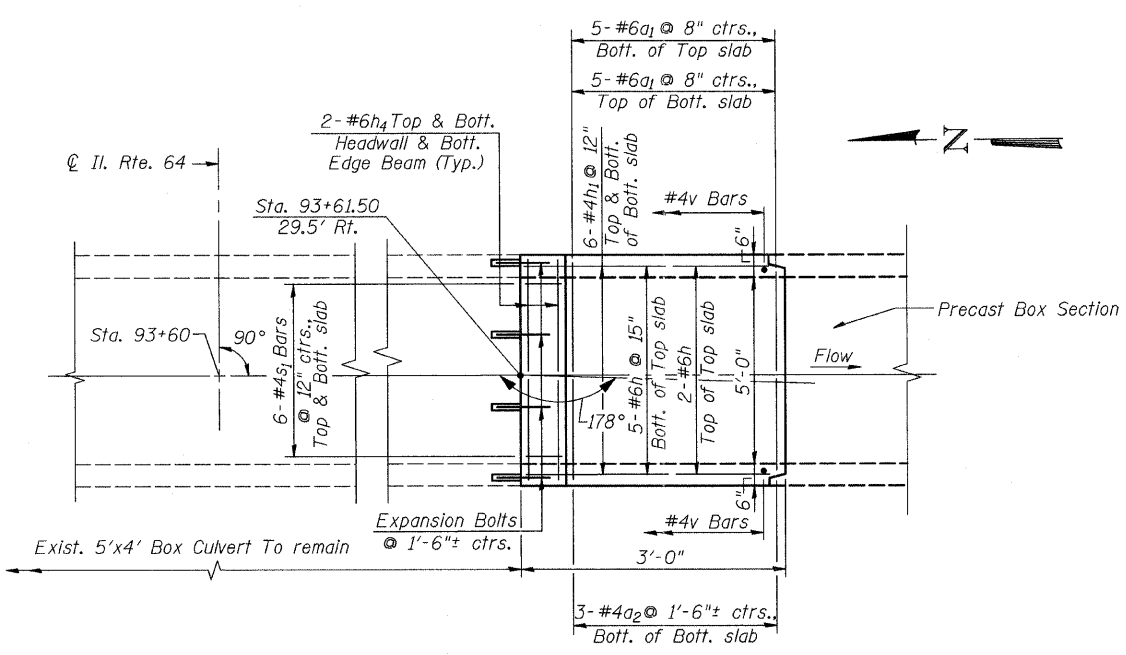
BAR a1



BAR s1

BILL OF MATERIAL
(1 EXTENSION)

Bar	No.	Size	Length	Shape
a1	10	#6	7'-0"	
a2	3	#4	5'-8"	
h	7	#6	2'-9"	
h1	12	#4	2'-9"	
h2	8	#5	2'-9"	
h4	8	#6	5'-8"	
s1	12	#4	3'-11"	
v	10	#4	4'-11"	
Concrete Box Culverts			Cu. Yds.	1.5
Reinforcement Bars			Lbs.	330
Expansion Bolts $\frac{3}{4}$ Inch x 15 Inch			Each	12



PLAN

DESIGN STRESSES
 $T_y = 60,000$ psi
 $f'_c = 3,500$ psi
LOADING
 HS 20-44 & Alt.

REVISIONS	
NAME	DATE

ILLINOIS DEPARTMENT OF TRANSPORTATION

CAST-IN-PLACE

5'x4' BOX CULVERT

EXTENSION DETAILS

STATION 93+61.50

KANE COUNTY

SCALE: $\frac{1}{2}$ "=1'-0"

DATE: AUGUST 10, 2011

DRAWN BY: F.M.

CHECKED BY: B.N.S.

CHRISTIAN-ROGE & ASSOC., INC.

CHICAGO ILLINOIS

FILE NAME: r-rte64 culvert.dgn
 PLOT DATE: 9/12/2011
 PLOT SCALE: 320/800 = 1/4" = 1'