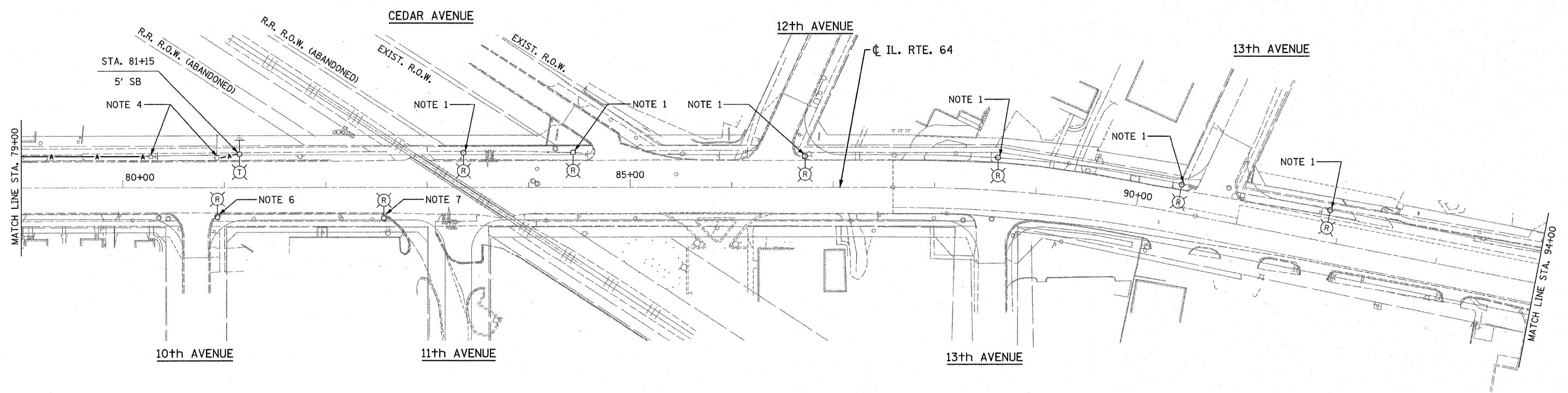
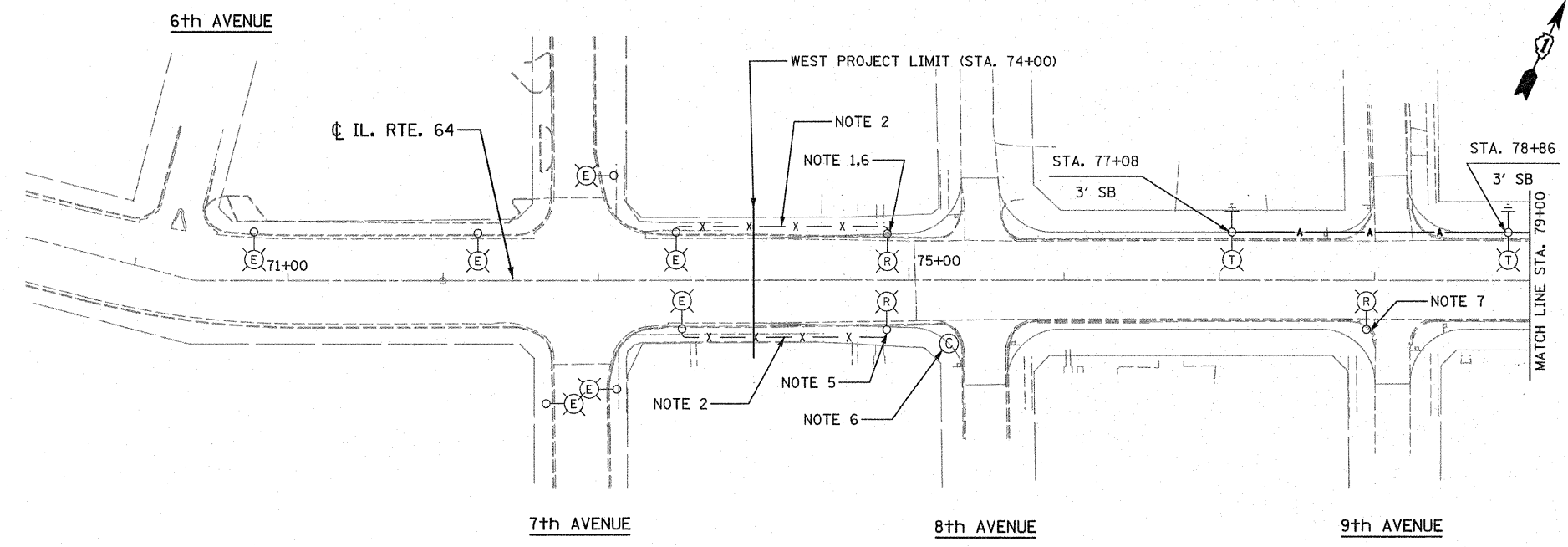


F.A.P. RTE.	SECTION	COUNTY	TOTAL SHEETS	SHEET NO.
307	129 R-2	KANE	243	150
STA.		TO STA.		
FED. ROAD DIST. NO. 1		ILLINOIS FED. AID PROJECT		

NOTES

- EXISTING LIGHTING UNIT AND ASSOCIATED CABLES AND WOOD POLES TO BE REMOVED AFTER STAGE 1 CONSTRUCTION IS COMPLETE AND PROPOSED LIGHT UNITS ON THE SOUTH SIDE OF ILLINOIS ROUTE 64 ARE OPERATIONAL. CONTRACTOR SHALL REMOVE ALL WOOD POLES ASSOCIATED WITH TEMPORARY LIGHTING, INCLUDING THOSE WOOD POLES WITH ONLY AERIAL CABLES BUT NO LUMINAIRES. LUMINAIRES, MAST ARMS AND POLES SHALL BE RETURNED TO SCEU FOR SALVAGE. COORDINATE REMOVAL WITH SCEU. CONTACT MR. GARY SITTLER, PHONE (630) 377-4407.
- EXISTING OVERHEAD DISTRIBUTION LINES ON THE NORTH SIDE OF ILLINOIS ROUTE 64 WILL BE REMOVED BY SCEU PRIOR TO THE START OF CONSTRUCTION. EXISTING AERIAL CABLES ON POLE FOR STREET LIGHTS TO REMAIN UNTIL STAGE ONE CONSTRUCTION IS COMPLETE AND PROPOSED LIGHT UNITS ON THE SOUTH SIDE OF ILLINOIS ROUTE 64 ARE OPERATIONAL.
- ATTACH AERIAL CABLES AT HEIGHTS THAT WILL PROVIDE CLEARANCE TO GROUND PER NATIONAL ELECTRICAL CODE, SECTION 225.18.
- SCEU WILL TERMINATE THE AERIAL CABLES AT THEIR 240-VOLT SECONDARY. CONTACT MR. GARY SITTLER, PHONE (630) 377-4407.
- LIGHT UNIT TO BE REMOVED BY CITY OF SAINT CHARLES. CONTRACTOR TO REMOVE FOUNDATION.
- EXISTING WOOD POLE TO BE RELOCATED BY CITY OF SAINT CHARLES.
- STREET LIGHT TO BE REMOVED BY CITY OF SAINT CHARLES.

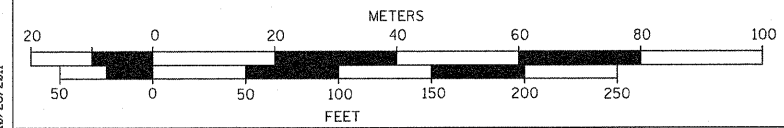
CITY OF ST. CHARLES



LT-06

10/26/2011 12:51:13 PM

GRAPHIC SCALE



SPAAN Tech, Inc.
 311 South Wacker Drive, Suite 2400
 Chicago, IL 60606
 phone: 312.277.8800
 fax: 312.277.8808
 web: www.SpaanTech.com

CHRISTIAN-ROGE & ASSOCIATES, INC.
 ENGINEERS-PLANNERS-SURVEYORS
 211 WEST WACKER DRIVE
 CHICAGO, ILLINOIS 60606
 1-312-372-2023 FAX: 1-312-372-5274

REVISIONS	
NAME	DATE

ILLINOIS DEPARTMENT OF TRANSPORTATION

ILLINOIS ROUTE 64
 EXISTING AND TEMPORARY LIGHTING PLAN
 STA. 71+00 TO STA. 94+00

SCALE: VERT.: N.A.
 HORIZ.: 1" = 50'
 DATE: SEPT. 2010

DRAWN BY: M. J./D. L.
 CHECKED BY: I. B.