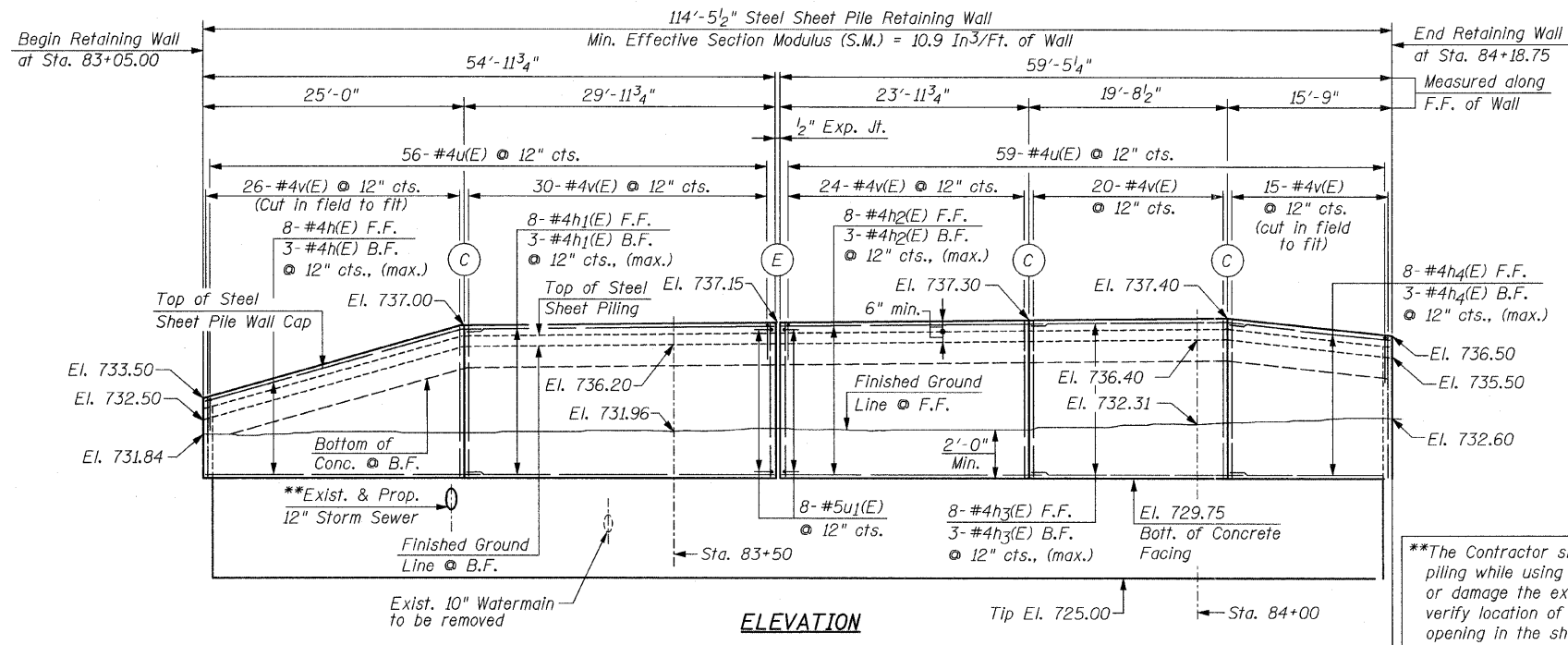
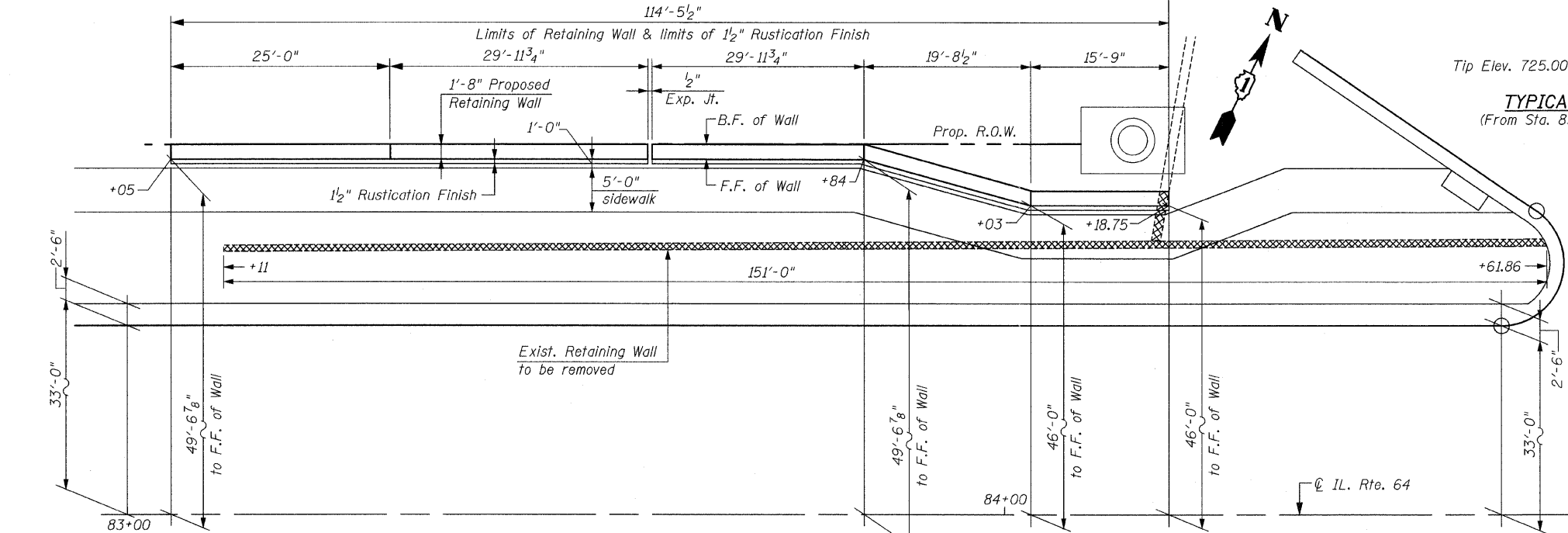


F.A.P. RTE.	SECTION	COUNTY	TOTAL SHEETS	SHEET NO.
307	129-R-2	KANE	243	162
STA. TO STA.		ILLINOIS FED. AID PROJECT		
FED. ROAD DIST. NO. 1		CONTRACT NO. 62195		



**ELEVATION**

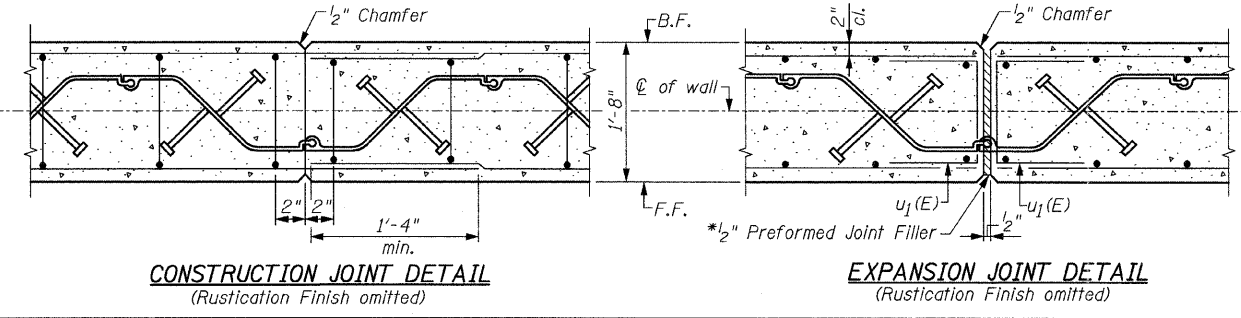


**PLAN OF WALL**

**SHEET PILE RETAINING WALL (RW-2)**

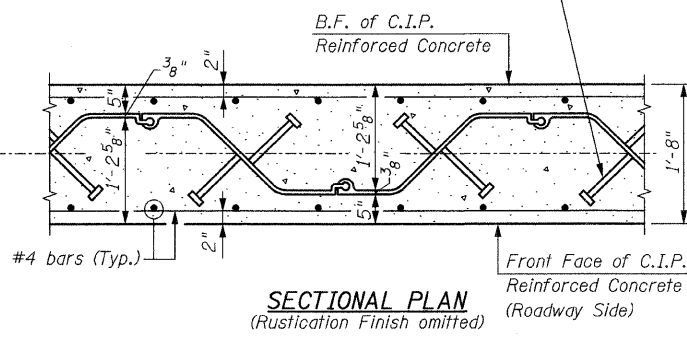
NOTE: The Contractor is responsible for coordinating utility relocation and adjustment before driving Sheet Pile Retaining Wall

\*Cost included with Concrete Structures

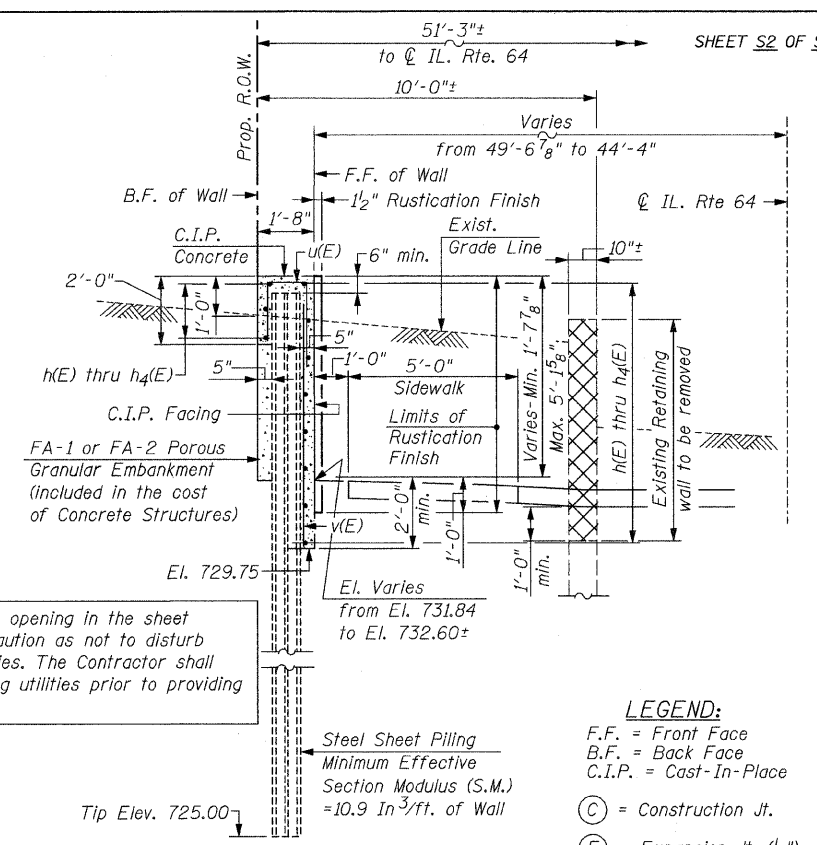


**CONSTRUCTION JOINT DETAIL**  
(Rustication Finish omitted)

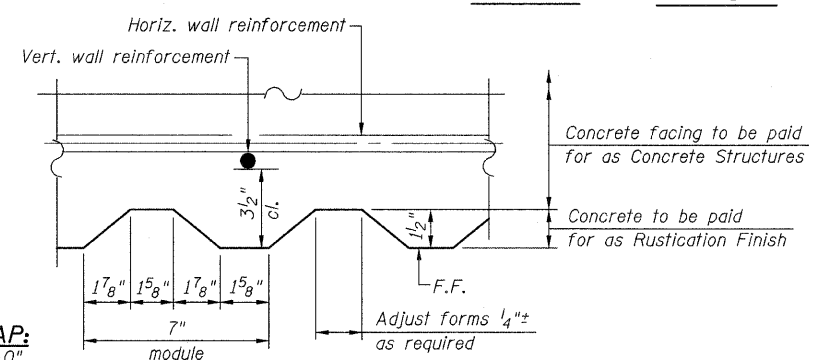
**EXPANSION JOINT DETAIL**  
(Rustication Finish omitted)



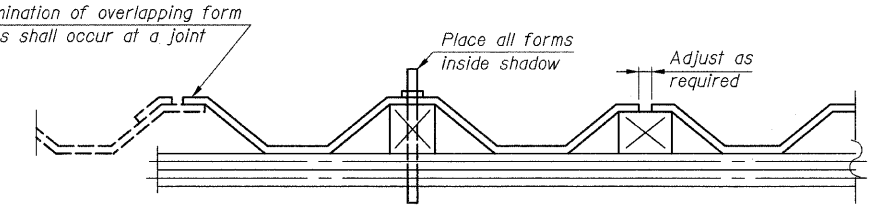
**SECTIONAL PLAN**  
(Rustication Finish omitted)



**TYPICAL WALL SECTION**  
(From Sta. 83+05.00 To Sta. 84+18.75)  
(Looking East)



**SECTION THRU WALL**  
SHOWING RUSTICATION FINISH



**SUGGESTED FORMWORK DETAIL**

**BILL OF MATERIAL**

Bar	No.	Size	Length	Shape
h(E)	11	#4	27'-0"	
h1(E)	11	#4	29'-9"	
h2(E)	11	#4	26'-0"	
h3(E)	11	#4	21'-9"	
h4(E)	11	#4	15'-6"	
u(E)	115	#4	5'-3"	□
u1(E)	16	#5	4'-8"	□
v(E)	115	#4	6'-10"	
Concrete Structures			Cu. Yd.	37.0
Reinforcement Bars, Epoxy Coated			Pound	1,890
Structure Excavation			Cu. Yd.	72
Stud Shear Connectors			Each	597
Concrete Removal			Cu. Yd.	31.0
Permanent Steel Sheet Piling			Sq. Yd.	1,290
Form Liner Textured Surface			Sq. Ft.	630

**LEGEND:**  
F.F. = Front Face  
B.F. = Back Face  
C.I.P. = Cast-In-Place  
C = Construction Jt.  
E = Expansion Jt. (1/2")

**BAR u(E)**      **BAR u1(E)**

REVISIONS	
NAME	DATE

ILLINOIS DEPARTMENT OF TRANSPORTATION  
REINFORCEMENT DETAILS  
SHEET PILE RETAINING WALL (RW-2)  
F.A.P. RTE. 307 (IL. RTE. 64)  
SECTION 129-R-2  
STA. 83+05.00 TO STA. 84+18.75  
KANE COUNTY  
STRUCTURE NO. 045-W002  
SCALE: 1/8"=1'-0"  
DATE: AUGUST 10, 2011  
DRAWN BY: F.M.  
CHECKED BY: B.N.S.  
**CHRISTIAN-ROGE & ASSOC., INC.**  
CHICAGO ILLINOIS

FILE NAME = r-1064-rw2.dgn  
PLOT DATE = 8/12/2011  
PLOT SCALE = 6:000 1/2 IN.