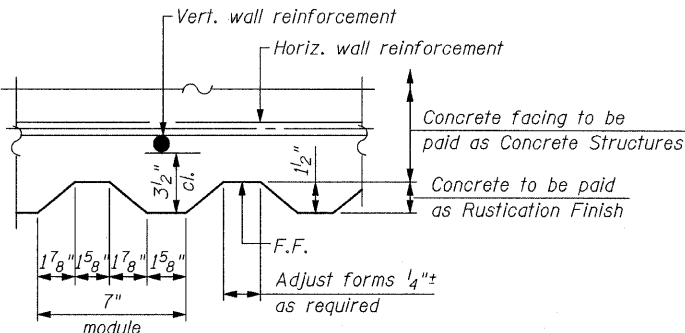


F.A.P. RTE.	SECTION	COUNTY	TOTAL SHEETS	SHEET NO.
307	129-R-2	KANE	243	166
STA.		TO STA.		
FED. ROAD DIST. NO. 1		ILLINOIS		FED. AID PROJECT

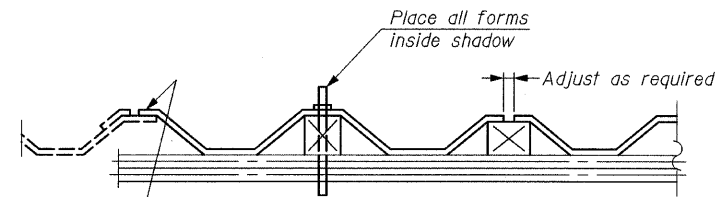
CONTRACT NO. 62195

**STUD SPACING TABLE**

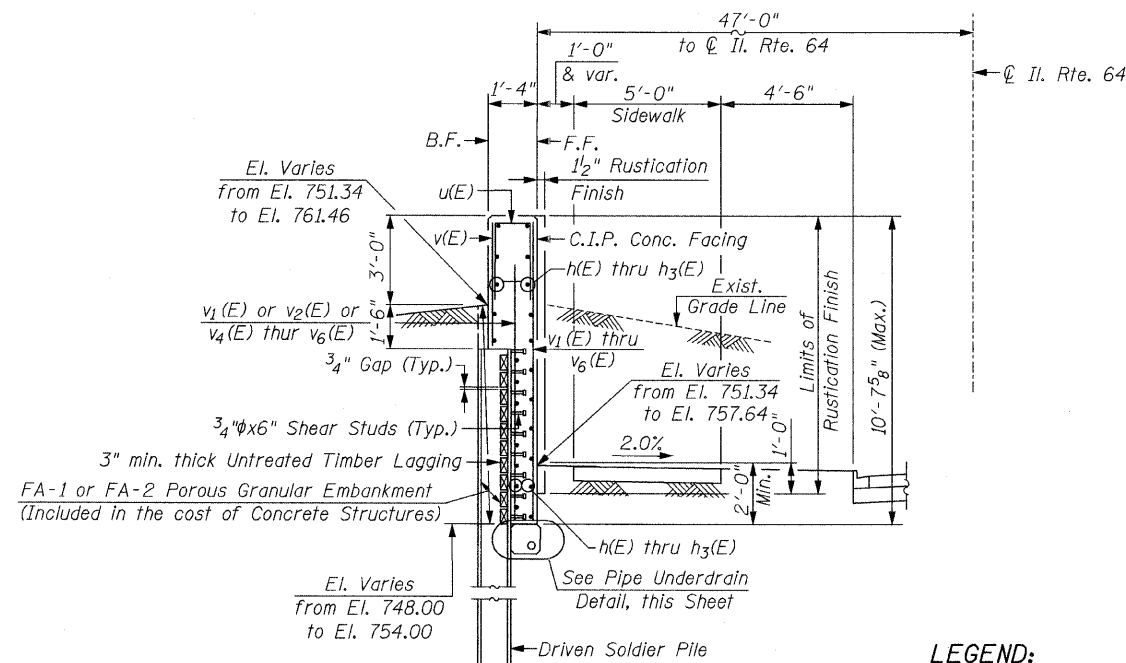
PILE NO.	TOP/PILE	TIP/PILE	APPROX. PILE LENGTH (FT.)	NO. STUD PER PILE	SPACING
1	751.24	733.22	18.02	2 x 8 = 16	7 Spa. @ 3.75 in = 1'-6 3/4"
2	752.39	733.85	18.55	2 x 9 = 18	8 Spa. @ 4.25 in = 2'-1 1/2"
3	753.55	734.47	19.08	2 x 11 = 22	10 Spa. @ 4.25 in = 2'-5 3/4"
4	754.70	735.10	19.60	2 x 12 = 24	11 Spa. @ 4.00 in = 3'-2 1/4"
5	755.46	735.48	19.99	2 x 13 = 26	12 Spa. @ 4.25 in = 3'-2 1/4"
6	756.04	735.73	20.31	2 x 14 = 28	13 Spa. @ 4.25 in = 3'-6 1/2"
7	756.61	735.98	20.63	2 x 15 = 30	14 Spa. @ 4.25 in = 3'-10 3/4"
8	757.18	736.23	20.95	2 x 15 = 30	14 Spa. @ 4.25 in = 4'-3"
9	757.48	736.48	21.00	2 x 15 = 30	14 Spa. @ 4.25 in = 4'-7 1/4"
10	757.78	736.73	21.05	2 x 16 = 32	15 Spa. @ 4.25 in = 4'-7 1/4"
11	758.08	736.97	21.10	2 x 16 = 32	15 Spa. @ 4.25 in = 4'-11 1/2"
12	758.35	737.22	21.12	2 x 16 = 32	15 Spa. @ 4.25 in = 5'-3 3/4"
13	758.55	737.47	21.08	2 x 16 = 32	15 Spa. @ 4.25 in = 5'-3 3/4"
14	758.75	737.71	21.03	2 x 16 = 32	15 Spa. @ 4.25 in = 5'-3 3/4"
15	758.95	737.96	20.99	2 x 15 = 30	14 Spa. @ 4.25 in = 4'-11 1/2"
16	759.19	738.21	20.98	2 x 15 = 30	14 Spa. @ 4.25 in = 4'-11 1/2"
17	759.44	738.45	20.99	2 x 15 = 30	14 Spa. @ 4.25 in = 4'-11 1/2"
18	759.70	738.69	21.00	2 x 16 = 32	15 Spa. @ 4.25 in = 5'-3 3/4"
19	759.95	738.94	21.02	2 x 16 = 32	15 Spa. @ 4.25 in = 5'-3 3/4"
20	759.88	739.18	20.70	2 x 15 = 30	14 Spa. @ 4.25 in = 4'-11 1/2"
21	759.80	739.43	20.37	2 x 14 = 28	13 Spa. @ 4.25 in = 4'-7 1/4"
22	759.72	739.67	20.05	2 x 13 = 26	12 Spa. @ 4.25 in = 4'-3"
23	759.58	739.89	19.69	2 x 12 = 24	11 Spa. @ 4.25 in = 3'-10 3/4"
24	759.31	740.05	19.26	2 x 11 = 22	10 Spa. @ 4.25 in = 3'-2 1/4"
25	759.04	740.20	18.83	2 x 10 = 20	9 Spa. @ 4.25 in = 2'-5 3/4"
26	758.59	740.06	18.53	2 x 9 = 18	8 Spa. @ 4.00 in = 2'-1 1/2"
27	757.97	739.60	18.36	2 x 9 = 18	8 Spa. @ 4.25 in = 1'-9 1/4"
28	757.34	739.15	18.20	2 x 8 = 16	7 Spa. @ 4.25 in = 1'-9 1/4"
<b>TOTAL</b>				<b>740</b>	



**SECTION THRU WALL  
SHOWING RUSTICATION FINISH**



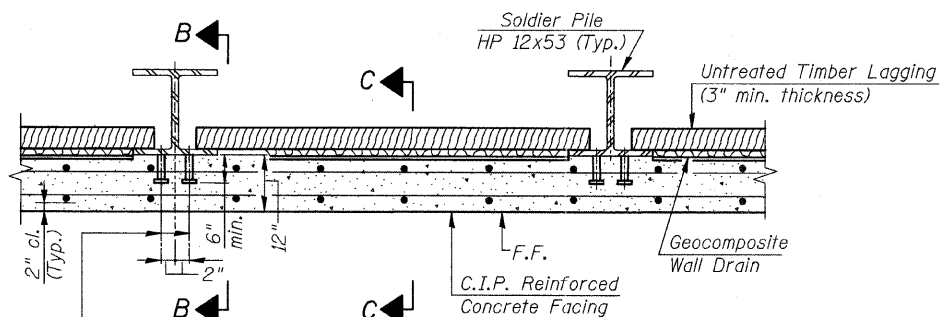
**SUGGESTED FORMWORK DETAIL**



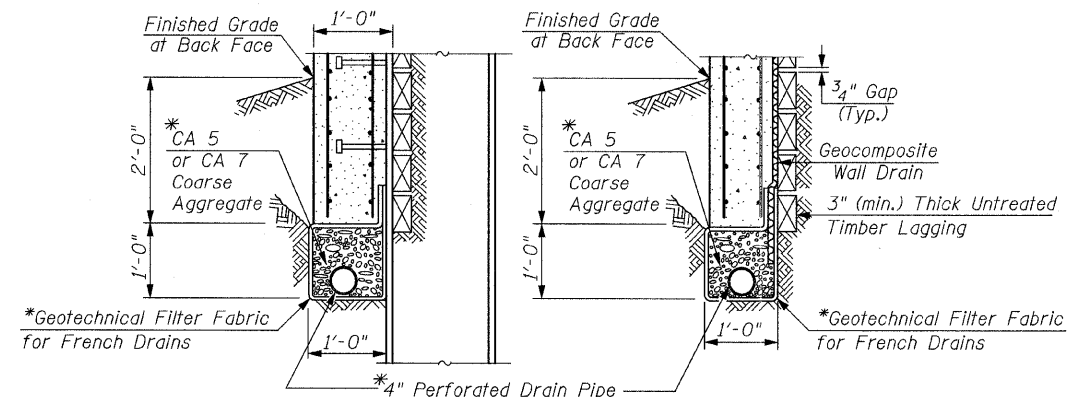
**DRIVEN SOLDIER PILE  
(From Sta. 106+14.00 To Sta. 108+40.00)  
(Looking East)**

**TYPICAL WALL SECTION**

**LEGEND:**  
F.F. = Front Face  
B.F. = Back Face  
C.I.P. = Cast-In-Place

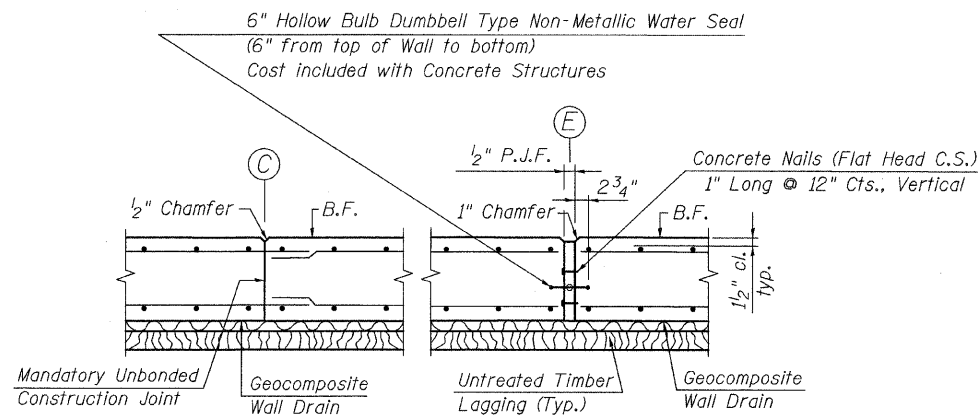


**TYPICAL SECTION THRU SOLDIER PILE WALL  
(Rustication Finish omitted)**



**SECTION B-B SECTION C-C  
AT SOLDIER PILES BETWEEN SOLDIER PILES  
PIPE UNDERDRAIN DETAIL  
(Rustication Finish omitted)**

\*Cost included with Pipe Underdrains for Structures 4"



**CONSTRUCTION JOINT EXPANSION JOINT**

**END OF PANEL DETAILS  
(Rustication Finish omitted)**

REVISIONS	
NAME	DATE

ILLINOIS DEPARTMENT OF TRANSPORTATION  
**SECTIONS & DETAILS OF SOLDIER PILES  
 SOLDIER PILE RETAINING WALL (RW-3)  
 F.A.P. RTE. 307 (IL. RTE. 64)  
 SECTION 129-R-2  
 STA. 106+14.00 TO STA. 108+40.00  
 KANE COUNTY  
 STRUCTURE NO. 045-W009**  
 SCALE: 1/4"=1'-0"  
 DATE: AUGUST 10, 2011  
 DRAWN BY: F.M.  
 CHECKED BY: B.N.S.  
**CHRISTIAN-ROGE & ASSOC., INC.**  
 CHICAGO ILLINOIS

FILE NAME: r464resurf38.dgn  
 PLOT DATE: 9/12/2011  
 PLOT SCALE: 1/8"=1'-0"