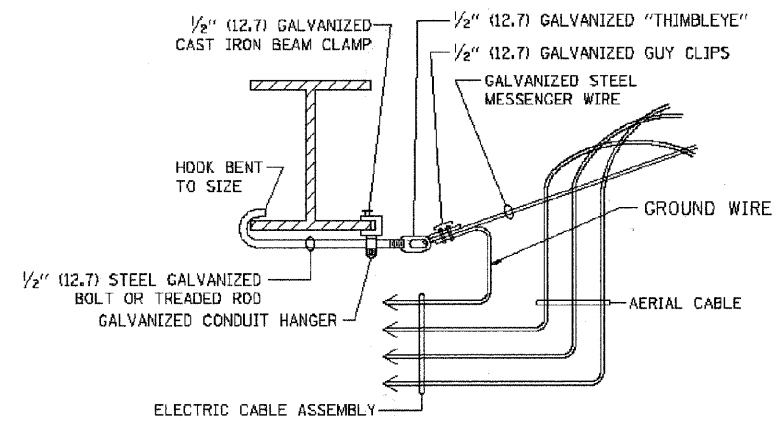


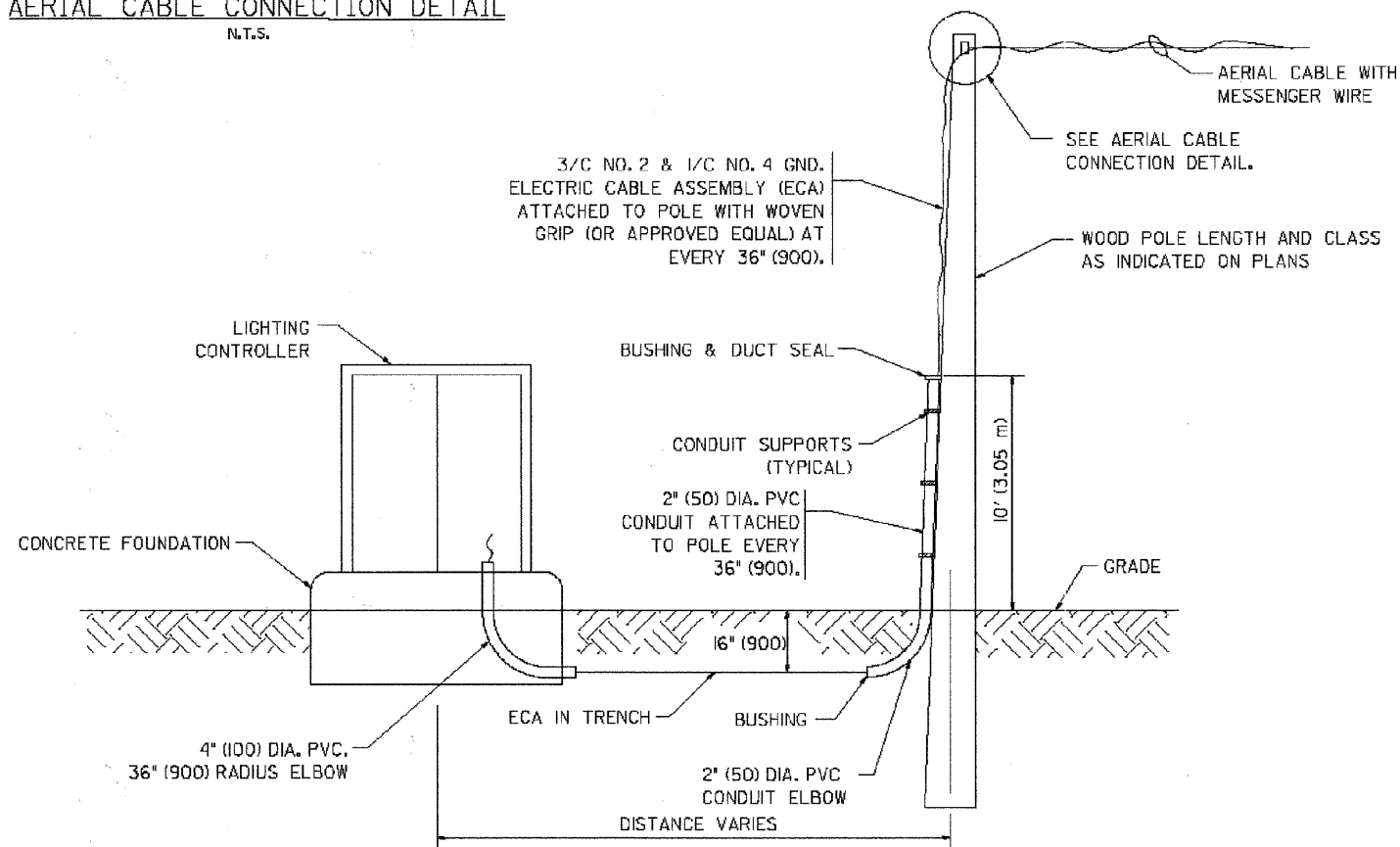
AERIAL CABLE CONNECTION DETAIL
N.T.S.



AERIAL CABLE ATTACHED TO STRUCTURE
NOT TO SCALE

NOTES:

1. ALL DIMENSIONS IN INCHES (MILLIMETERS) UNLESS OTHERWISE INDICATED.
2. SEE PROPOSED LIGHTING PLAN FOR CONDUIT, CABLE AND ROUTING.
3. THE CONTRACTOR SHALL PROVIDE INTERMEDIATE SUPPORTS TO MAINTAIN MINIMUM CLEARANCES. REFER TO AERIAL AERIAL CABLE ATTACHED TO STRUCTURE DETAIL.
4. COST OF SPLICES AND MOUNTING HARDWARE SHALL BE INCLUDED IN THE UNIT PRICE FOR AERIAL CABLE.



WOOD POLE TO LIGHTING CONTROLLER WIRING CONNECTION DETAIL
N.T.S.

FILE NAME = W:\distsd\122\31\be381.dgn	USER NAME = geglionobt	DESIGNED	REVISED - 08/08/03	STATE OF ILLINOIS DEPARTMENT OF TRANSPORTATION	DISTRICT ONE - TEMPORARY AERIAL CABLE INSTALLATION	F.A.P. RTE.	SECTION	COUNTY	TOTAL SHEETS	SHEET NO.
	PLOT SCALE = 20,000 ' / IN.	DRAWN	REVISED -			350	00-00243-00-CH	COOK	142	102
	PLOT DATE = 11/4/2011	CHECKED	REVISED -			BE-801		CONTRACT NO. 63566		
		DATE	REVISED -			SCALE: N.T.S.	SHEET NO. 12 OF 12 SHEETS	STA.	TO STA.	FED. ROAD DIST. NO. 7 ILLINOIS FED. AID PROJECT