

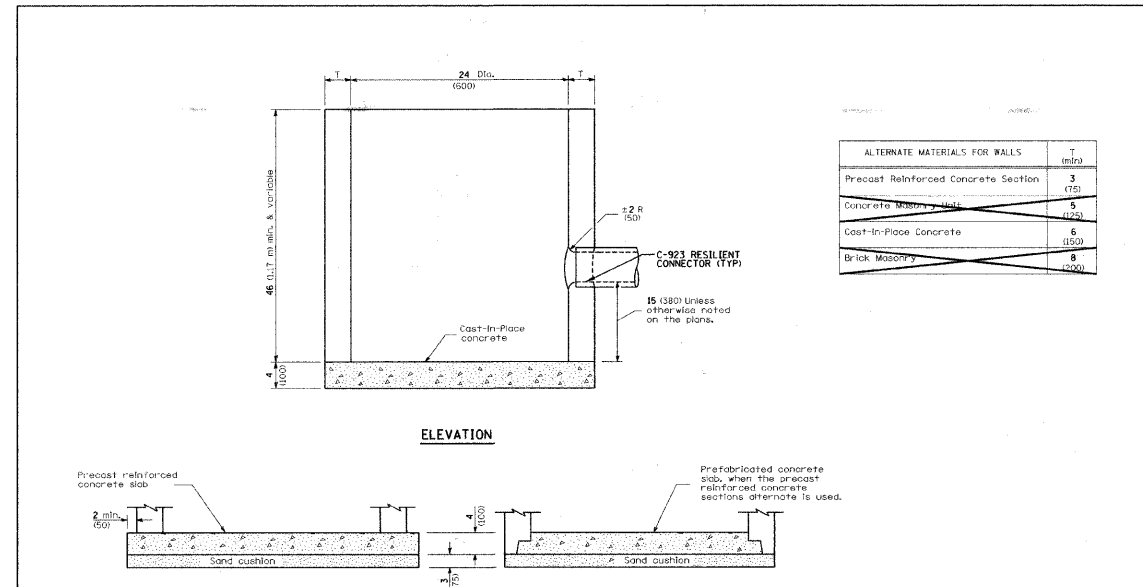
ALTERNATE MATERIALS FOR WALLS	D	C*	T
Concrete Masonry Unit	4'-0" (1219 mm)	30 (762)	5 (125)
Brick Masonry	4'-0" (1219 mm)	30 (762)	5 (125)
Precast Reinforced Concrete Section	4'-0" (1219 mm)	30 (762)	5 (125)
Cast-in-place Concrete	4'-0" (1219 mm)	30 (762)	5 (125)

* For precast reinforced concrete sections, dimension "C" may vary from the dimension given to plus 6 (150).

GENERAL NOTES

All catch basins shall be 4'-0" (1219 mm) in diameter unless otherwise noted on the plans.
See Standard 602501 for optional precast reinforced concrete flat slab top.
See Standard 602701 for details of steps.
All dimensions are in inches (millimeters) unless otherwise shown.

CATCH BASIN TYPE A

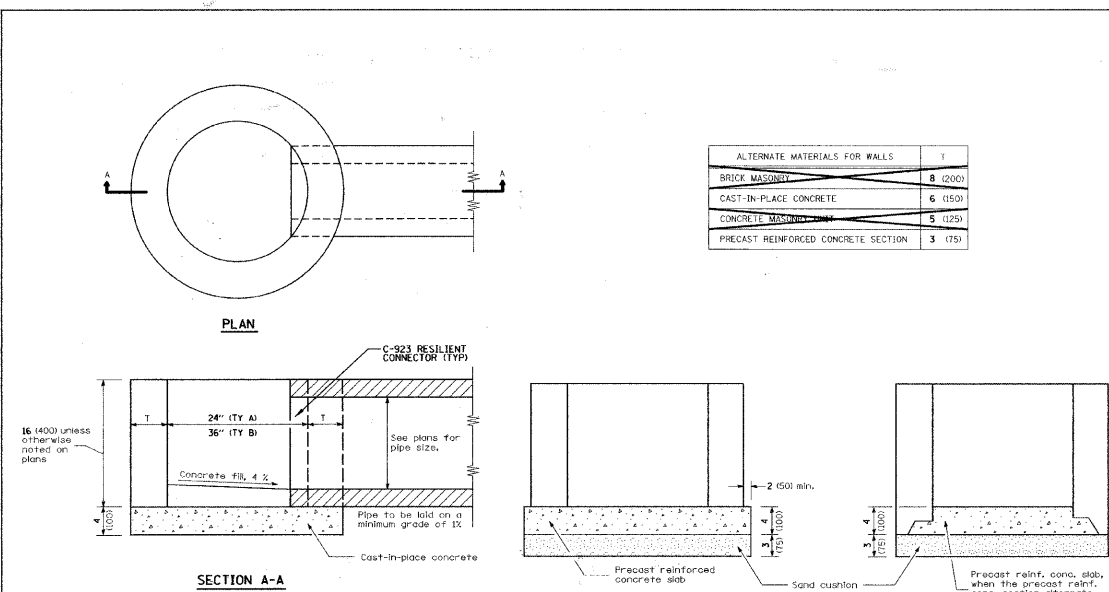


ALTERNATE MATERIALS FOR WALLS	D	C*	T
Precast Reinforced Concrete Section	4'-0" (1219 mm)	30 (762)	5 (125)
Concrete Masonry Unit	4'-0" (1219 mm)	30 (762)	5 (125)
Cast-in-place Concrete	4'-0" (1219 mm)	30 (762)	5 (125)
Brick Masonry	4'-0" (1219 mm)	30 (762)	5 (125)

NOTES:
THE COST OF THE C-923 RESILIENT CONNECTOR WILL BE INCLUDED IN THE COST OF THE CATCH BASIN, TYPE C.

All dimensions are in inches (millimeters) unless otherwise shown.

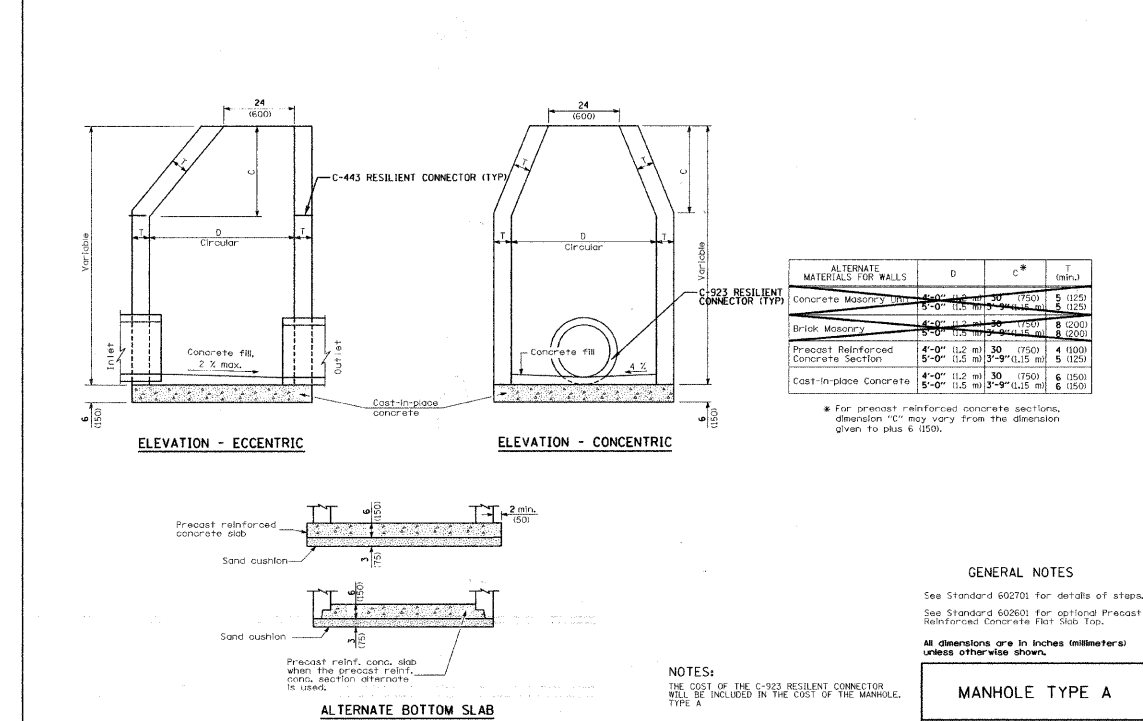
CATCH BASIN TYPE C



ALTERNATE MATERIALS FOR WALLS	D	C*	T
Brick Masonry	4'-0" (1219 mm)	30 (762)	8 (200)
Cast-in-place Concrete	4'-0" (1219 mm)	30 (762)	6 (150)
Concrete Masonry Unit	4'-0" (1219 mm)	30 (762)	5 (125)
Precast Reinforced Concrete Section	4'-0" (1219 mm)	30 (762)	3 (75)

NOTES:
THE COST OF THE C-923 RESILIENT CONNECTOR WILL BE INCLUDED IN THE COST OF THE INLET OF THE TYPE SPECIFIED.

INLET - TYPE A AND TYPE B



ALTERNATE MATERIALS FOR WALLS	D	C*	T
Concrete Masonry Unit	4'-0" (1219 mm)	30 (762)	5 (125)
Brick Masonry	4'-0" (1219 mm)	30 (762)	8 (200)
Precast Reinforced Concrete Section	4'-0" (1219 mm)	30 (762)	4 (100)
Cast-in-place Concrete	4'-0" (1219 mm)	30 (762)	6 (150)

* For precast reinforced concrete sections, dimension "C" may vary from the dimension given to plus 6 (150).

GENERAL NOTES

See Standard 602701 for details of steps.
See Standard 602601 for optional Precast Reinforced Concrete Flat Slab Top.

All dimensions are in inches (millimeters) unless otherwise shown.

MANHOLE TYPE A

FILE NAME = g:\v\08\045\road\sheet\MM00GC_DETAILS.SHT

USER NAME = CEC\com
PLOT SCALE = 50,0000 Ft / IN.
PLOT DATE = 6/3/2011

DESIGNED CEC
DRAWN CEC
CHECKED DWB
DATE 06/03/2011

REVISED -
REVISED -
REVISED -
REVISED -

**STATE OF ILLINOIS
DEPARTMENT OF TRANSPORTATION**

**U.S. ROUTE 41 (SKOKIE BOULEVARD)
MWRDGC DETAILS**

SCALE: NOT TO SCALE SHEET NO. 1 OF 1 SHEETS STA. TO STA.

F.A.P. RTE.	SECTION	COUNTY	TOTAL SHEETS	SHEET NO.
350	00-00243-00-CH	COOK	142	106
CONTRACT NO. 63566			ILLINOIS FED. AID PROJECT	