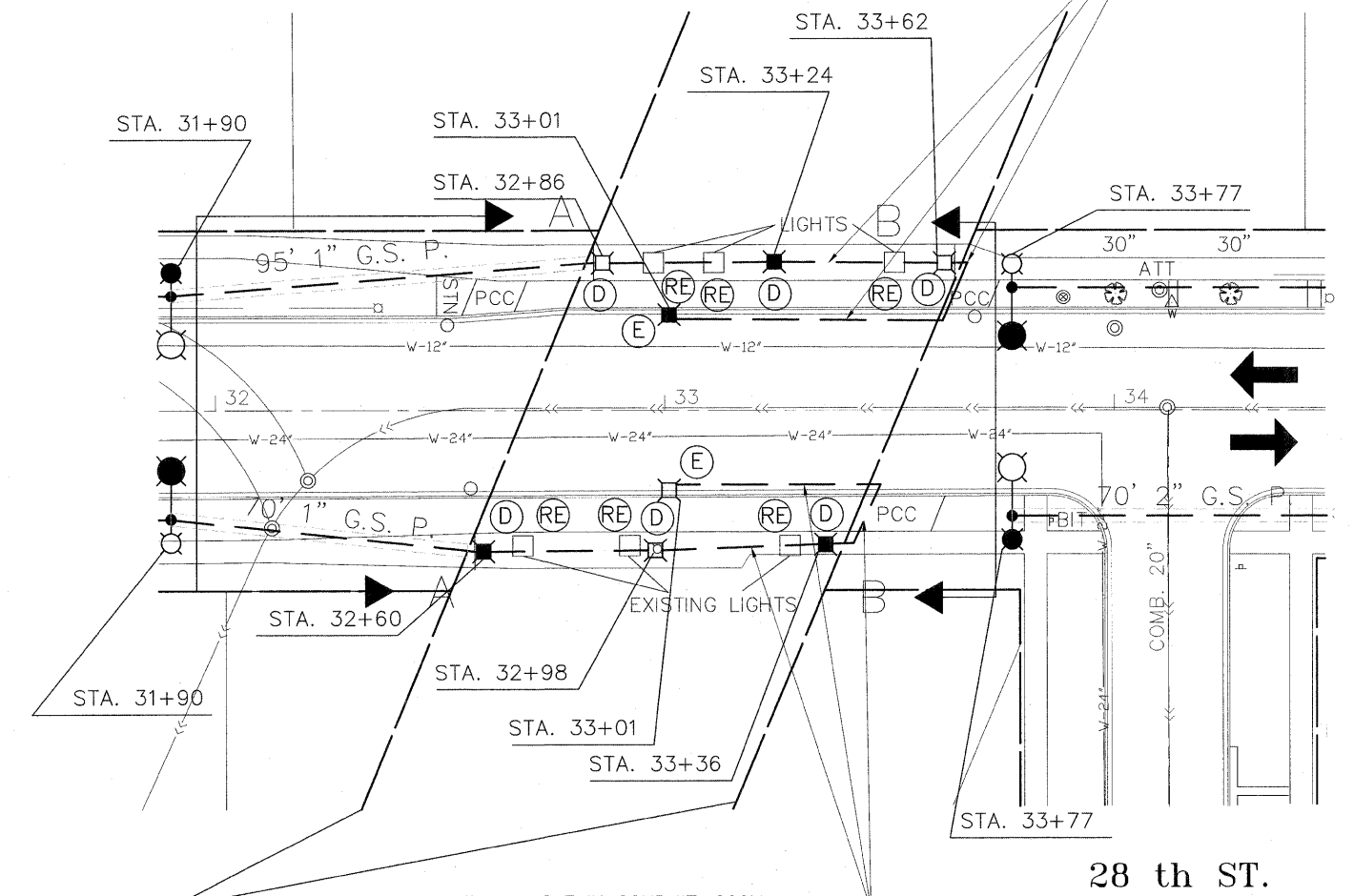


ELECTRIC CABLE IN CONDUIT, 600V
(XLP TYPE USE), 3 1/C No. 8, 1/C No. 8 GROUND
CONDUIT ATTACHED TO STRUCTURE
RIGID STEEL, 1" DIA. (TYPICAL)



UNDERPASS LIMITS

ELECTRIC CABLE IN CONDUIT, 600V
(XLP TYPE USE), 3 1/C No. 8, 1/C No. 8 GROUND
CONDUIT ATTACHED TO STRUCTURE
RIGID STEEL, 1" DIA. (TYPICAL)

NOTES:

- SEE SHEET 22 FOR SECTIONS A-A & B-B.
JUNCTION BOX LOCATIONS CAN BE FOUND IN THESE SECTIONS.

UNDERPASS DETAILS

FILE NAME = FAU 2775 (OAK PARK AVENUE) FAP 0311 (OGDEN AVENUE) TO FAU 3734 (34TH STREET) FAU 1468 (31ST STREET TO FAU 1453 (CERMAK ROAD) OAK PARK AVENUE ARTERIAL STREET LIGHTING	USER NAME =	DESIGNED -- BAH	REVISED -- BAH 7-11-11
		DRAWN -- BAH	REVISED -- BAH 10-14-11
	PLOT SCALE =	CHECKED -- JEF	REVISED --
	PLOT DATE =	DATE -- 5-31-11	REVISED --

**STATE OF ILLINOIS
DEPARTMENT OF TRANSPORTATION**

CONSTRUCTION DETAILS

SCALE: NONE SHEET NO. OF SHEETS STA. TO STA.

Frank Novotny & Associates, Inc.
Civil Engineers
125 Midway Drive • Willowbrook, IL • 60127 • Telephone: (630) 887-8640 • Fax: (630) 887-0122
ILLINOIS PROFESSIONAL DESIGN FIRM NO. 184-000928

F.A.U. R.T.E. 2775	SECTION 05-00162-00-LS	COUNTY COOK	TOTAL SHEETS 25	SHEET NO. 21
CONTRACT NO. 63628			HPP-3465(002)	