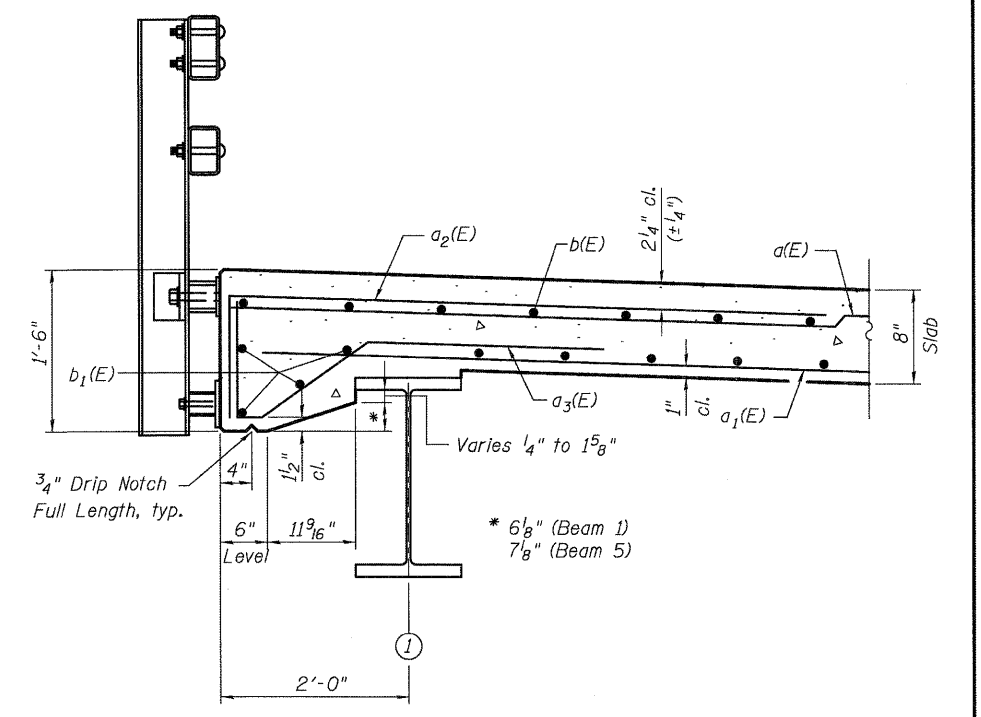
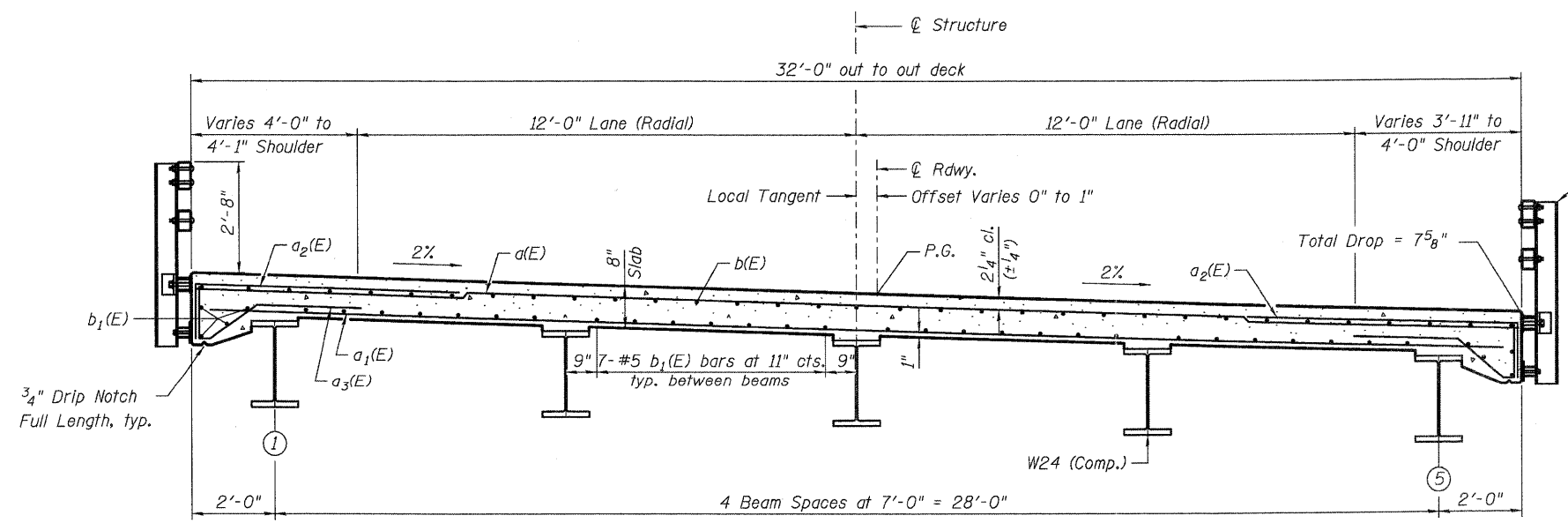


PLAN



SECTION THRU EDGE OF DECK

See Sheet 12 of 20 for Rail Post Anchor Details



CROSS SECTION
(Looking North)

Steel Bridge Rail, Type SM, typ.
See Sheet 12 of 20 for Details & Sheet 2 of 20 for Spacing.

Notes:
See Sheet 9 of 20 for superstructure details and Bill of Material.
Bars indicated thus 20 x 3-#5 etc. indicates 20 lines of bars with 3 lengths per line.
See Sheet 9 of 20 for Section A-A.
See Sheet 18 of 20 for Bar Splicer Details.
Protective Coat shall also be applied to deck fascias

MIN. BAR LAP
#5 bar = 3'-3"

FILE NAME = W:\Projects\2010\180025 Burr-Ferson\1\cadd\Structure\1\0gn\18453088-008-Superstructure.dgn

WILLS BURKE KELSEY ASSOCIATES LTD.
116 West Main Street, Suite 201
St. Charles, Illinois 60174

USER NAME = nparis	DESIGNED - HLF	REVISED -
PLOT SCALE =	CHECKED - AEU	REVISED -
PLOT DATE = 10/18/2011	DRAWN - HLF	REVISED -
	CHECKED - AEU	REVISED -

STATE OF ILLINOIS
DEPARTMENT OF TRANSPORTATION

SUPERSTRUCTURE
STRUCTURE NO. 045-3080
SHEET NO. 8 OF 20 SHEETS

T.R. RTE.	SECTION	COUNTY	TOTAL SHEETS	SHEET NO.
0194	08-14117-00-BR	KANE	76	41
FED. ROAD DIST. NO.			ILLINOIS FED. AID PROJECT	
			CONTRACT NO. 63645	