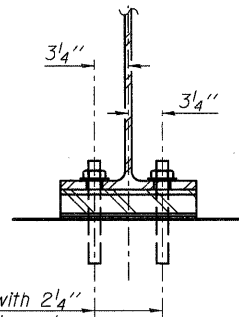


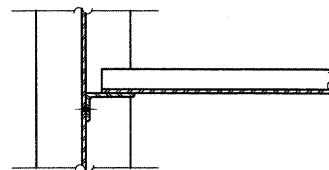
1/8" elastomeric neoprene leveling pad according to the material properties of Article 1052.02(a) of the Standard Specifications. Cost included with Structural Steel.

Ø 1" φ x 12" anchor bolts with 2 1/4" x 2 1/4" x 5/16" PL washer under nut. 1 3/8" x 2" slotted hole in flange. 1 1/2" φ holes in bearing plate.



SECTION A-A

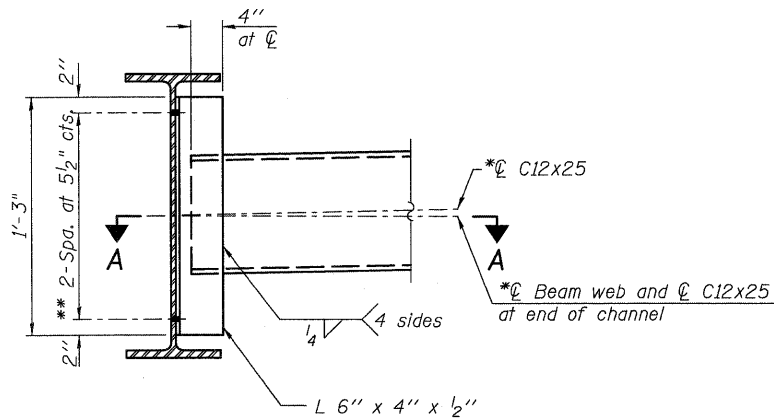
ELEVATION AT ABUTMENT



SECTION A-A

FIXED BEARING

(10 Required)



INTERIOR DIAPHRAGM, D

(16 Required)

Note:

Two hardened washers required for each set of oversized holes.

\*C12x30 is permitted to facilitate material acquisition. Calculated weight of structural steel is based on the lighter section.

The alternate, if utilized, shall be provided at no additional cost to the Department.

\*\*3/4" φ HS bolts, 1 5/16" φ holes

NOTES:

Anchor bolts shall be ASTM F1554 all-thread (or an Engineer-approved alternate material) of the grade(s) and diameter(s) specified. The corresponding specified grade of AASHTO M314 anchor bolts may be used in lieu of ASTM F1554.

Anchor bolts at fixed bearings may be either cast in place or installed in holes drilled after the supported member is in place.

Drilled and set anchor bolts shall be installed according to Article 521.06 of the Standard Specifications.

Two 1/8 in. adjusting shims shall be provided for each bearing location in addition to all other plates or shims and placed as shown on bearing details.

BILL OF MATERIAL

Item	Unit	Total
Anchor Bolts, 1"	Each	20

FILE NAME = W:\Projects\2010\102025 BurrFerguson\Structural\Drawings\Steel\Detail.dgn

**WILLS BURKE KELSEY ASSOCIATES LTD.**  
116 West Main Street, Suite 201  
St. Charles, Illinois 60174

USER NAME = nparris	DESIGNED - HLF	REVISED -
PLOT SCALE =	CHECKED - AEU	REVISED -
PLOT DATE = 11/17/2011	DRAWN - HLF	REVISED -
	CHECKED - AEU	REVISED -

STATE OF ILLINOIS  
DEPARTMENT OF TRANSPORTATION

STRUCTURAL STEEL DETAILS  
STRUCTURE NO. 045-3080

SHEET NO. 14 OF 20 SHEETS

T.R. RTE.	SECTION	COUNTY	TOTAL SHEETS	SHEET NO.
0194	08-14117-00-BR	KANE	76	47
FED. ROAD DIST. NO.			ILLINOIS FED. AID PROJECT	
			CONTRACT NO. 63645	