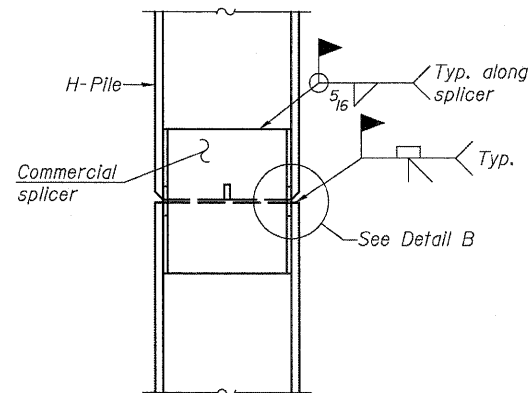
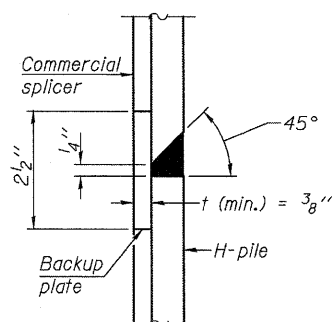


**STEEL PILE TABLE**

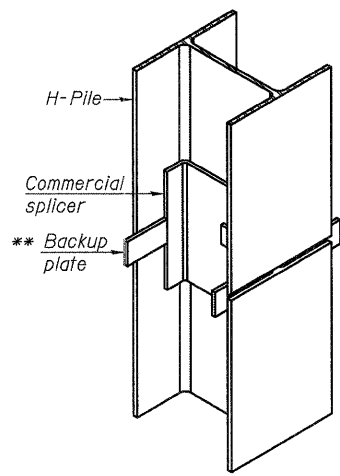
Designation	Depth d	Flange width b <sub>f</sub>	Web and Flange thickness t	Encasement diameter A
HP 14x117	14 1/4"	14 7/8"	13/16"	30"
x102	14"	14 3/4"	1/16"	30"
x89	13 7/8"	14 3/4"	5/8"	30"
x73	13 5/8"	14 5/8"	1/2"	30"
HP 12x84	12 1/4"	12 1/4"	1/16"	24"
x74	12 1/8"	12 1/4"	5/8"	24"
x63	12"	12 1/8"	1/2"	24"
x53	11 3/4"	12"	7/16"	24"
HP 10x57	10"	10 1/4"	9/16"	24"
x42	9 3/4"	10 1/8"	7/16"	24"
HP 8x36	8"	8 1/8"	7/16"	18"



**ELEVATION**

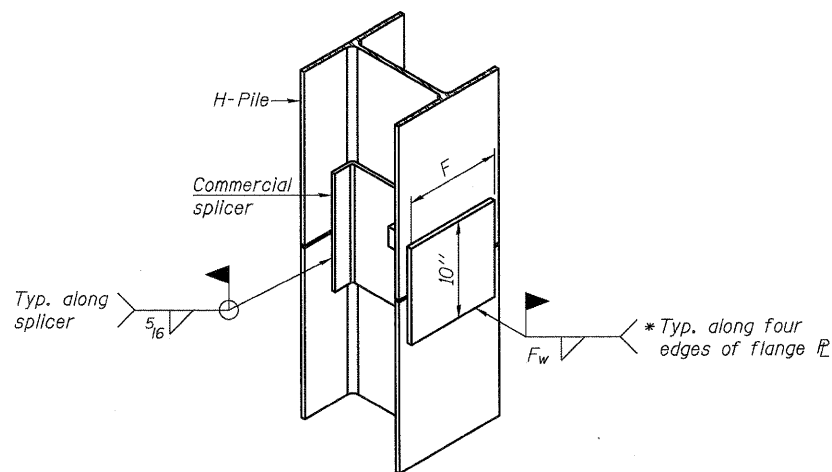


**DETAIL "B"**



**ISOMETRIC VIEW**

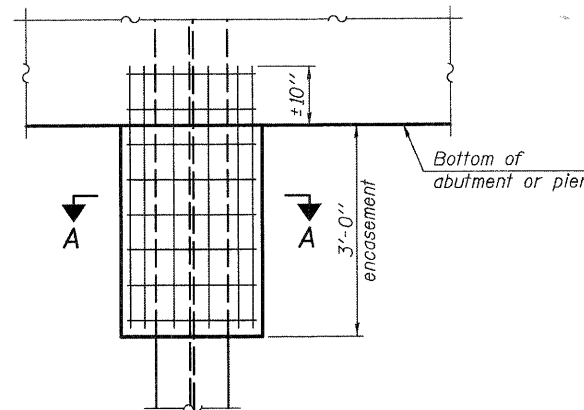
**WELDED COMMERCIAL SPLICE**



**ISOMETRIC VIEW**

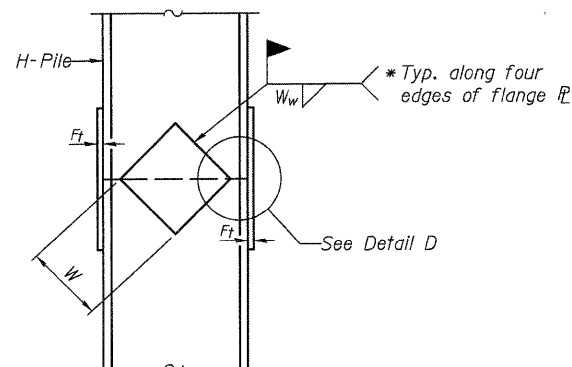
**WELDED COMMERCIAL SPLICE ALTERNATE**

- \* Interrupt welds 1/4" from end of web and/or each flange.
- \*\* Remove portions of backup plates that extend outside the flanges.
- \*\*\* Weld size per pile shoe manufacturer (5/16" min.).

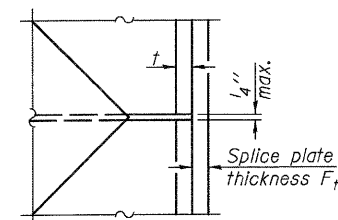


**ELEVATION**

**PILE ENCASEMENT**

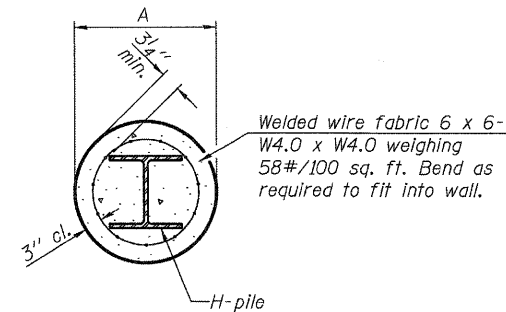


**ELEVATION**



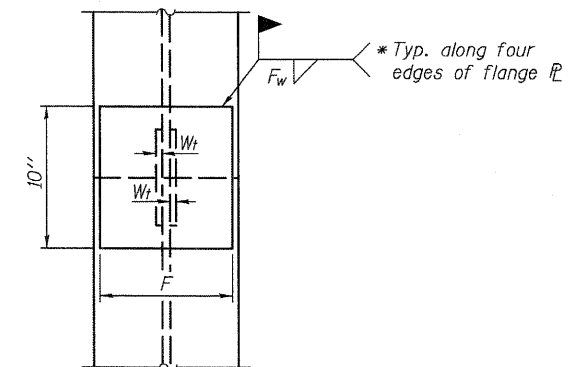
**DETAIL D**

**WELDED PLATE FIELD SPLICE**



**SECTION A-A**

Note:  
Forms for encasement may be omitted when soil conditions permit.



**END VIEW**

Designation	F	F <sub>t</sub>	F <sub>w</sub>	W	W <sub>t</sub>	W <sub>w</sub>
HP 14x117	12 1/2"	1"	7/8"	7 3/4"	5 1/8"	1/2"
x102	12 1/2"	7/8"	3/4"	7 3/4"	5 1/8"	1/2"
x89	12 1/2"	3/4"	1 1/16"	7 3/4"	5 1/8"	1/2"
x73	12 1/2"	5/8"	9/16"	7 3/4"	5 1/8"	1/2"
HP 12x84	10"	7/8"	1 1/16"	6 1/2"	5 1/8"	1/2"
x74	10"	7/8"	1 1/16"	6 1/2"	5 1/8"	1/2"
x63	10"	5/8"	1/2"	6 1/2"	1/2"	3/8"
x53	10"	5/8"	1/2"	6 1/2"	1/2"	3/8"
HP 10x57	8"	3/4"	9/16"	5 1/4"	1/2"	3/8"
x42	8"	5/8"	9/16"	5 1/4"	1/2"	3/8"
HP 8x36	7"	5/8"	7/16"	4 1/4"	1/2"	3/8"

Note:  
The steel H-piles shall be according to AASHTO M270 Grade 50.

F-HP 7-1-10

FILE NAME = W:\Projects\2010\180825 BurrFermontRoad\Structural\Drawings\F-HP-1a.dgn

**WILLS BURKE KELSEY ASSOCIATES LTD.**  
116 West Main Street, Suite 201  
St. Charles, Illinois 60174

USER NAME = nparr18	DESIGNED - HLF	REVISED -
PLOT SCALE =	CHECKED - AEU	REVISED -
PLOT DATE = 10/18/2011	DRAWN - HLF	REVISED -
	CHECKED - AEU	REVISED -

**STATE OF ILLINOIS  
DEPARTMENT OF TRANSPORTATION**

**HP PILE DETAILS  
STRUCTURE NO. 045-3080**  
SHEET NO. 17 OF 20 SHEETS

T.R. RTE.	SECTION	COUNTY	TOTAL SHEETS	SHEET NO.
0194	08-14117-00-BR	KANE	76	50
CONTRACT NO. 63645				
FED. ROAD DIST. NO. ILLINOIS FED. AID PROJECT				