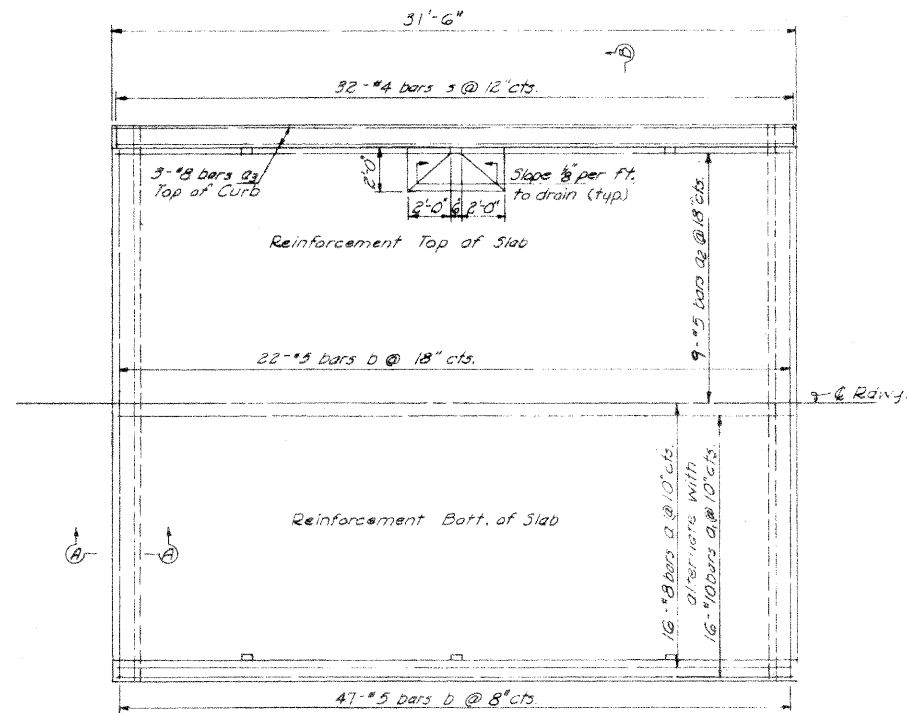
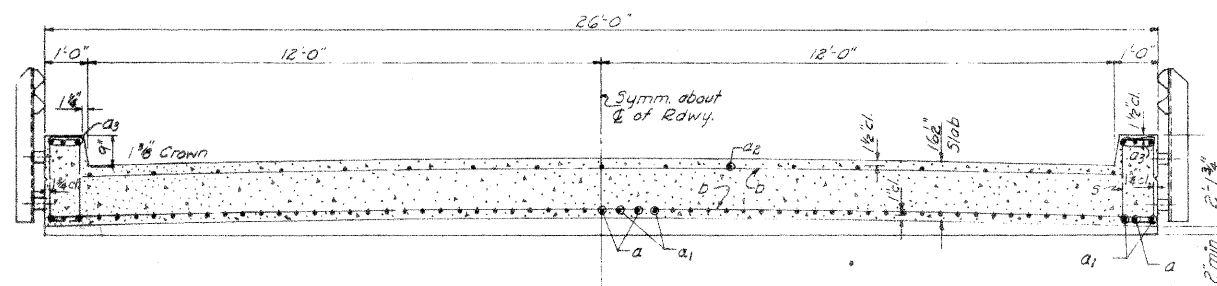


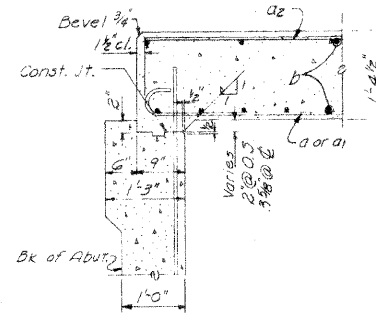
ELEVATION



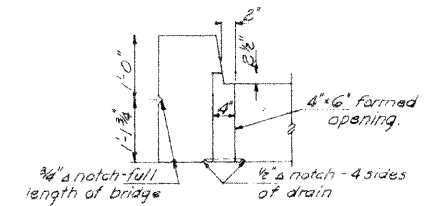
PLAN



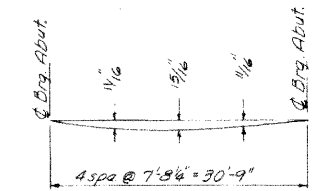
SECTION B-B



SECTION A-A

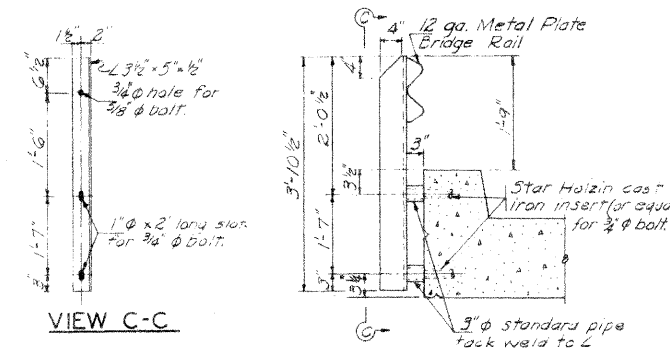


DRAIN DETAILS



DL DEFLECTION DIAGRAM

In addition to D.L. Deflection the Contractor shall make allowance for shrinkage & settlement of falsework.

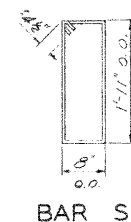


VIEW C-C

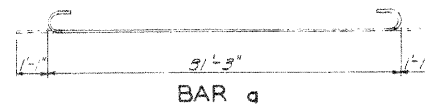
HANDRAIL DETAILS

BILL OF MATERIAL SUPERSTRUCTURE

Bar	No	Size	Length	Straps
a	31	#8	33'-5"	
a1	32	#10	31'-2"	
a2	17	#5	31'-3"	
a3	6	#8	31'-3"	
b	69	#5	25'-8"	
s	64	#4	5'-11"	F1
Glass & Concrete Cu Yds.				49.8
Reinforcement Bars Lbs.				10,220
Metal Plate Bridge Rail Lin Ft				58



BAR S



BAR a

**SLAB
BURR BRIDGE**

STA. 11+35.50
ST. CHARLES TOWNSHIP
KANE COUNTY

HANSON, COLLINS & RICE
CONSULTING ENGINEERS

DESIGNED: ACE CHECKED: R.D.C.
DRAWN: ACE DATE: 2-24-59 NO. B-58-44

FILE NAME = M:\Projects\2010\100205 BurrFasci\Need\Civil\Drawn\Sheet\EXSTRU_02.dgn

WILLS BURKE KELSEY ASSOCIATES LTD.
116 West Main Street, Suite 201
St. Charles, Illinois 60174
(630) 443-7755

USER NAME = USER*	DESIGNED -	REVISED -
PLOT SCALE =	DRAWN -	REVISED -
PLOT DATE = 10/19/2011	CHECKED -	REVISED -
	DATE - 10/24/11	REVISED -

**STATE OF ILLINOIS
DEPARTMENT OF TRANSPORTATION**

**EXISTING STRUCTURE PLANS
FOR REFERENCE ONLY**

SCALE: SHEET NO. 56 OF 76 SHEETS STA. TO STA.

TOWNSHIP	SECTION	COUNTY	TOTAL SHEETS	SHEET NO.
194	08-14117-00-BR	KANE	76	56
FED. ROAD DIST. NO.				ILLINOIS FED. AID PROJECT
CONTRACT NO. 63645				