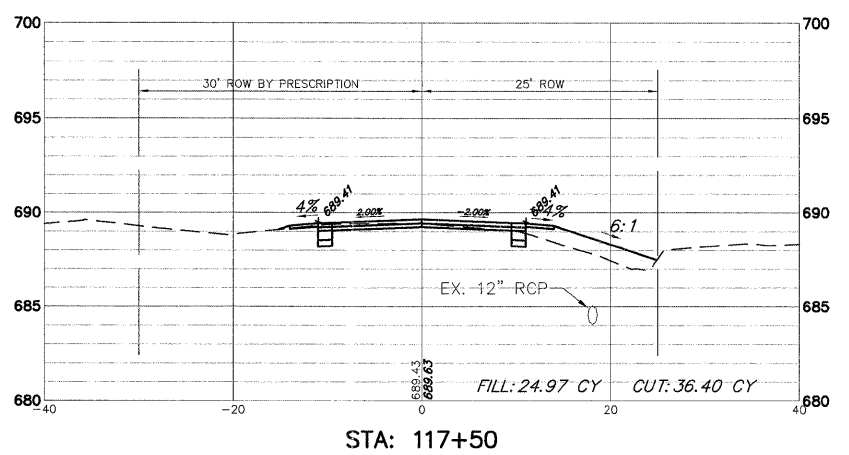
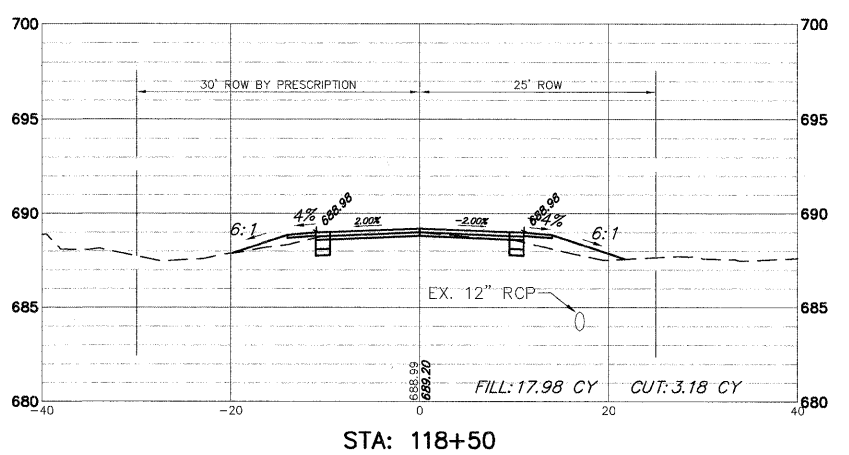


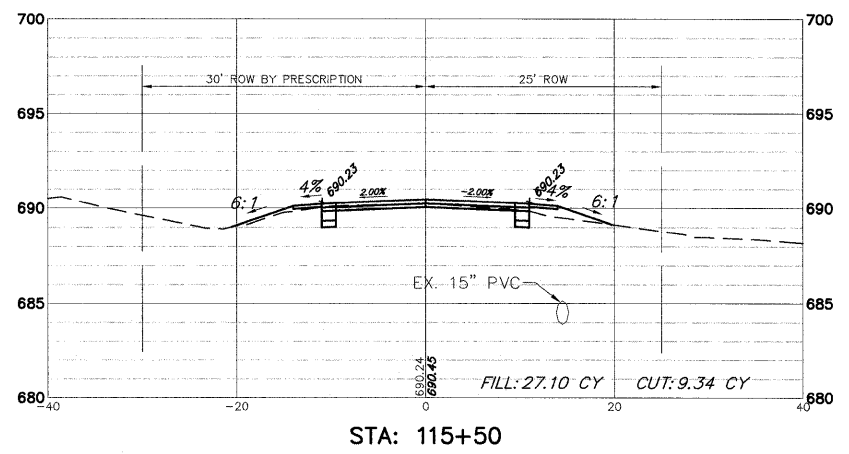
STA: 116+00



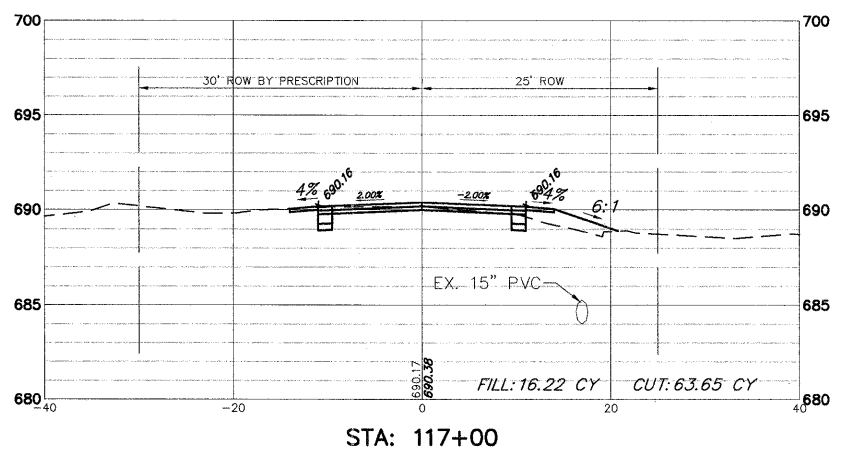
STA: 117+50



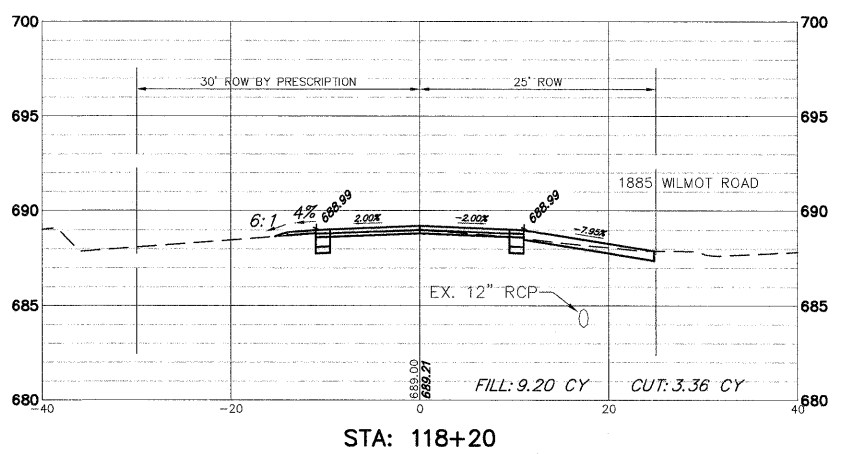
STA: 118+50



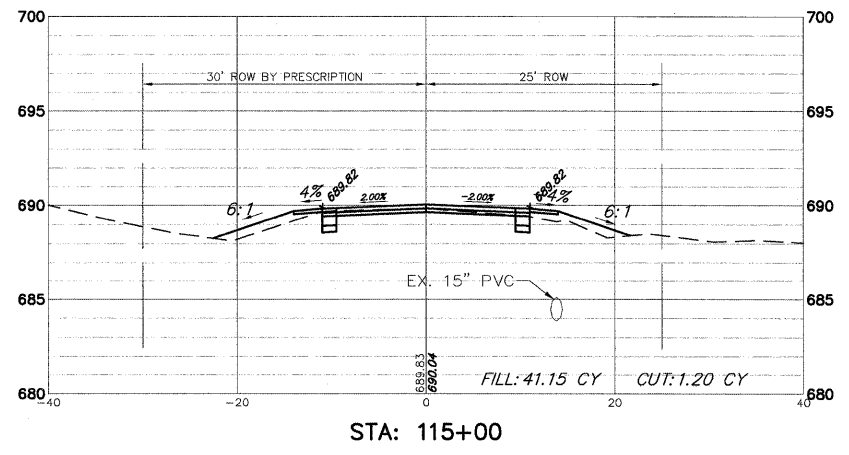
STA: 115+50



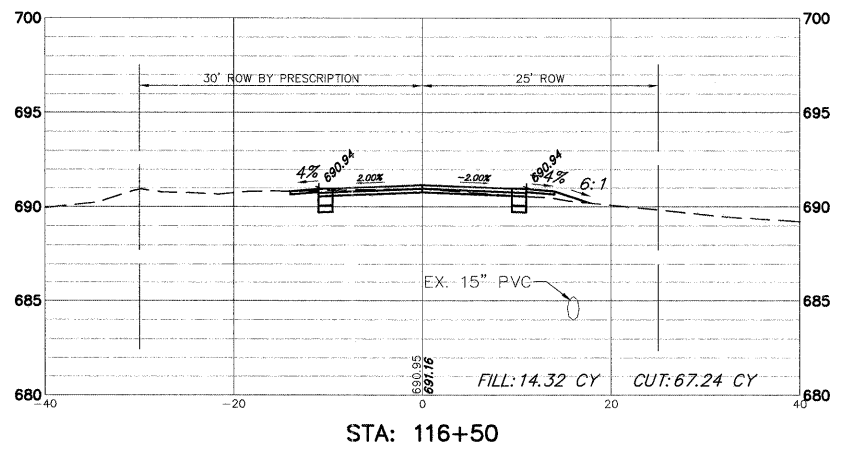
STA: 117+00



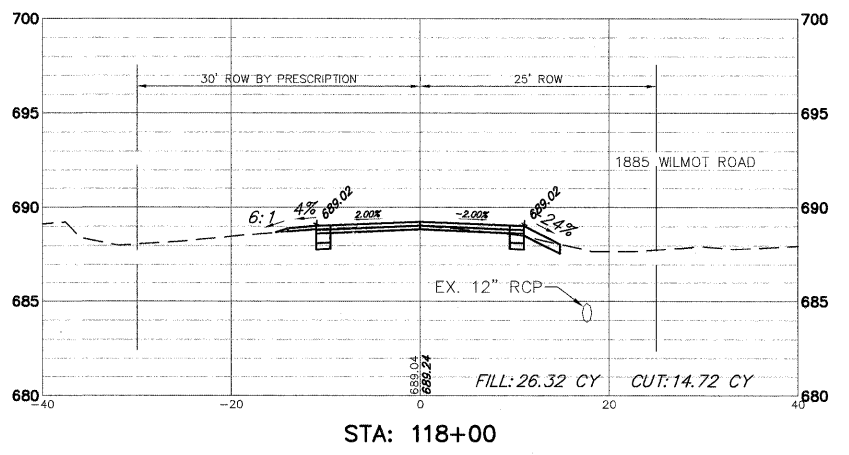
STA: 118+20



STA: 115+00



STA: 116+50



STA: 118+00

FILE NAME = 8101-055 PR4.DWG	USER NAME = GW3	DESIGNED - DJG	REVISED - 10.14.2011	STATE OF ILLINOIS DEPARTMENT OF TRANSPORTATION	CROSS SECTIONS			FAU. RTE 2718	SECTION 11-00012-00-RS	COUNTY LAKE	TOTAL SHEETS 40	SHEET NO. 27
	PLOT SCALE = 1:1	DRAWN - GW3	REVISED - 10.28.2011		SCALE AS NOTED	SHEET NO. 27 OF 40 SHEETS	STA. 115+00 TO STA. 118+50	CONTRACT #: 63646				
	PLOT DATE = 8/24/2011	CHECKED - DJG	REVISED -		ILLINOIS FED. AID PROJECT							
		DATE - 08.24.2011	REVISED -									