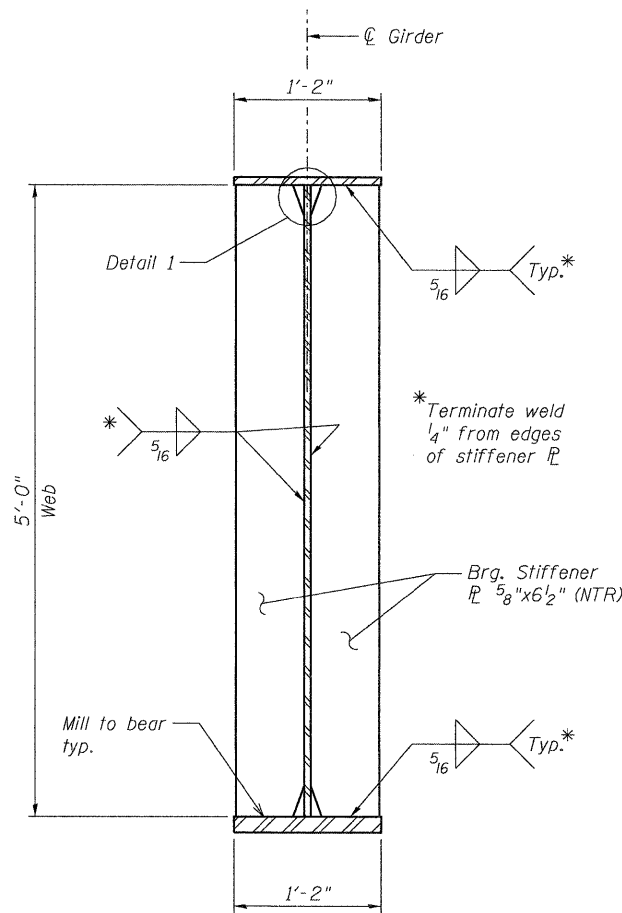
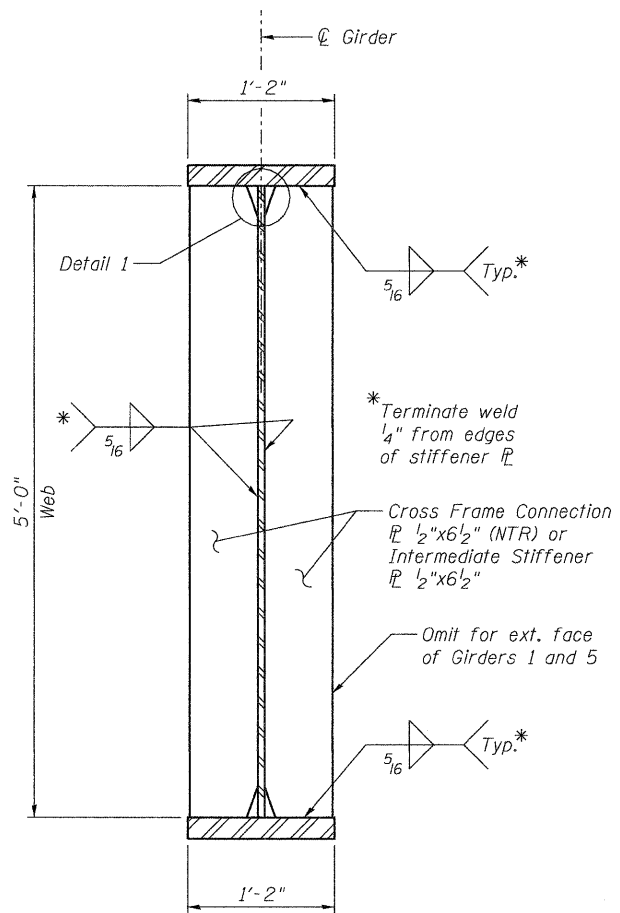


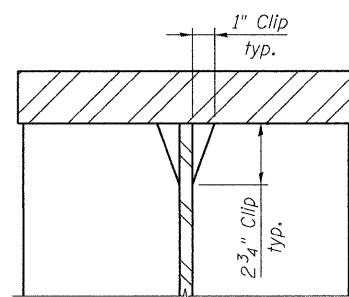
BEARING STIFFENER AT PIERS
(No. plates required = 70)



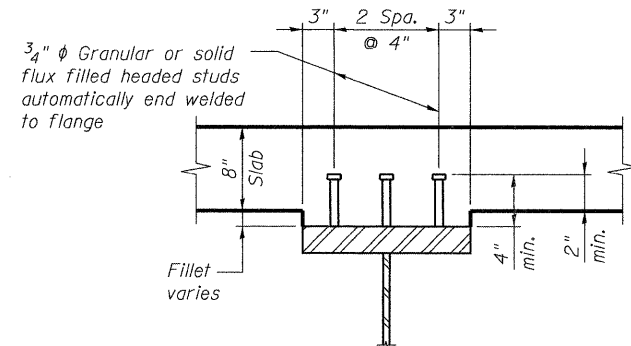
BEARING STIFFENER AT ABUTMENTS
(No. plates required = 20)



CONNECTION PLATE AND INTERMEDIATE STIFFENER DETAIL
(No. plates required = 436)



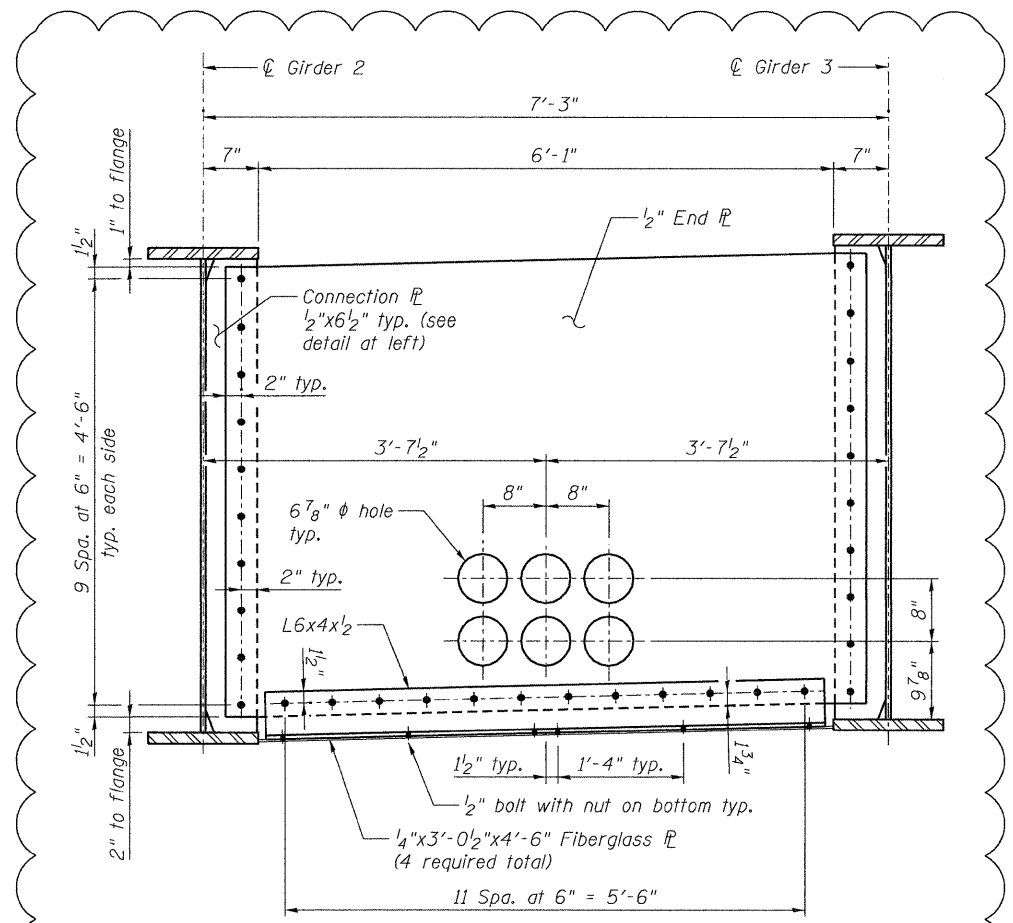
DETAIL 1
(Typical top & bottom flanges)



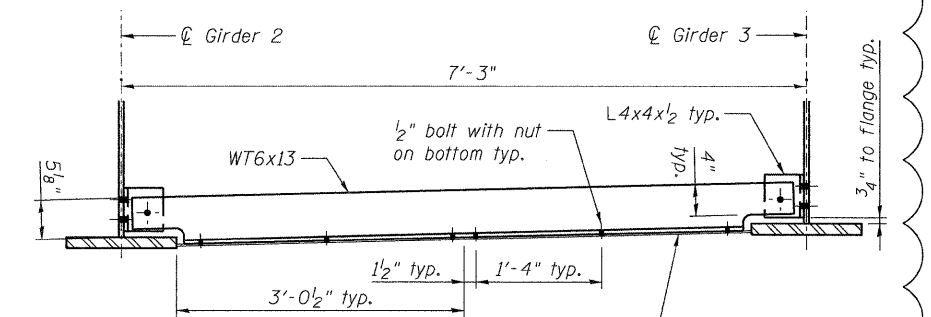
SECTION A-A
(No. studs required = 14,277)

NOTES:

1. For location of Stiffeners and Connection Plates, see Sheets S24 thru S27.
2. All Stiffener and Cross Frame Connection Plates shall be AASHTO M270 Grade 50 steel.
3. Stiffener and Cross Frame Connection Plates designated "NTR" shall conform to the Supplemental Requirements for Notch Toughness, Zone 2.
4. All Stiffener and Cross Frame Connection Plates shall be welded perpendicular to the web.



END PANEL AT JUNCTION BOX
(No. of panels required = 2)



MIDDLE BRACKET AT JUNCTION BOX
(No. of brackets required = 1)

1. See Electrical Distribution plans for additional details.
2. Contractor shall coordinate holes in web for conduit racks with unistrut manufacturer.
3. All steel for the junction box shall be included in the cost of "Furnishing and Erecting Structural Steel, Bridge No. 2." Cost of furnishing and installing fiberglass plate shall be included with "Junction Box (Special)."
4. Junction box shall be fully enclosed to prevent insects and birds from entering. Flashing shall be installed to close openings greater than 1/4". Silicone joint sealant shall be used to seal remaining gaps. Cost of furnishing and installing flashing and sealant shall be included with "Junction Box (Special)."

benesch
engineers · scientists · planners
Alfred Benesch & Company
205 North Michigan Avenue, Suite 2400
Chicago, Illinois 60601
312-565-0450 Job No. 10092

FILE NAME = 0456024_030_SteelDtls1.dgn	USER NAME = akesshall	DESIGNED - MFH	REVISED - Δ ADDENDUM 1/6/2012
		CHECKED - AJK	REVISED -
		DRAWN - RMG	REVISED -
		CHECKED - AJK	REVISED -



CITY OF ST. CHARLES

STEEL PLATE GIRDER DETAILS
STRUCTURE NO. 045-6024 RED GATE ROAD OVER THE FOX RIVER

SHEET NO. S30 OF S56 SHEETS

F.A.I. RTE.	SECTION	COUNTY	TOTAL SHEETS	SHEET NO.
	04-0092-00-BR	KANE	440	252
CONTRACT NO. 63650			ILLINOIS FED. AID PROJECT	