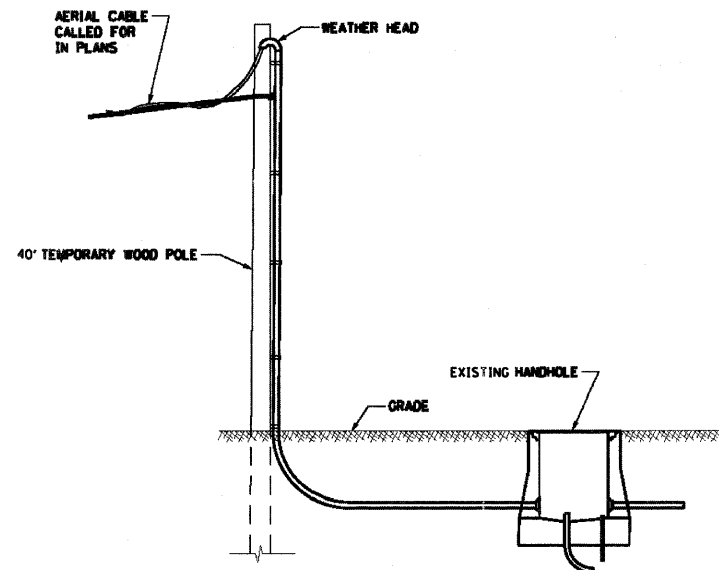
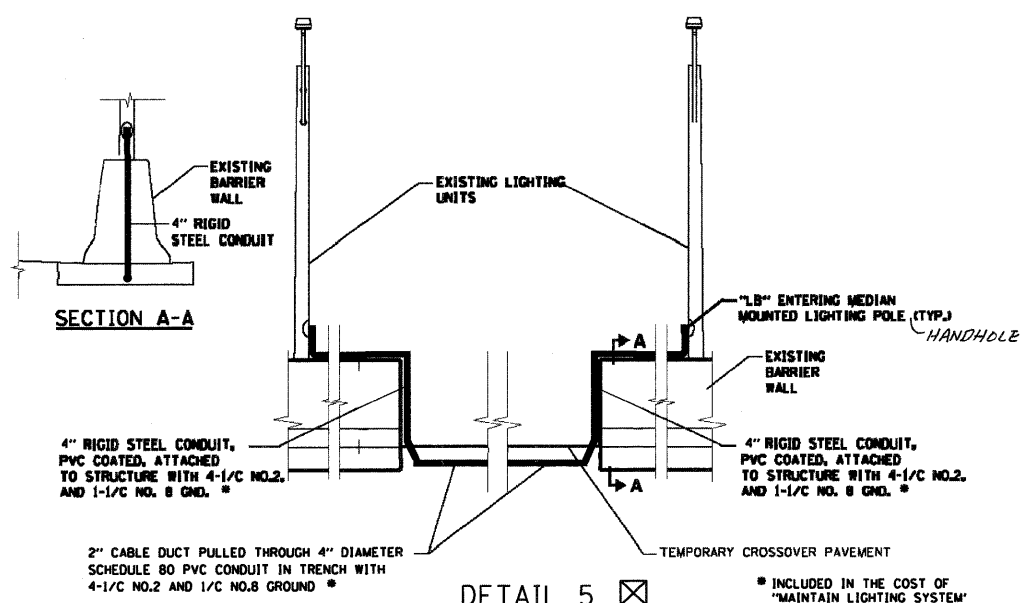


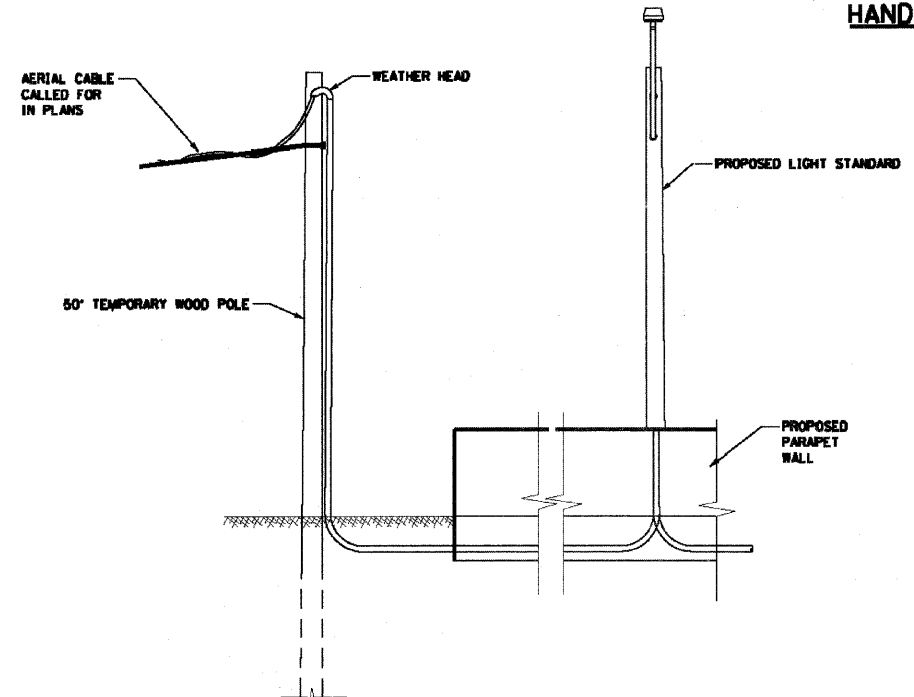
**DETAIL 1** □  
**TEMPORARY POWER FEED  
 TO ALUMINUM POLE**  
 NOT TO SCALE



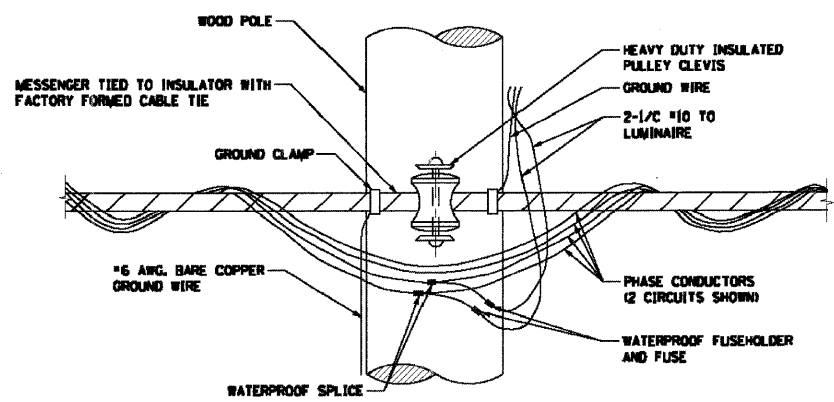
**DETAIL 2** ⊗  
**PROPOSED TEMPORARY POLE/  
 HAND HOLE CONNECTION**  
 NOT TO SCALE



**DETAIL 5** ⊗  
**PROPOSED TEMPORARY CABLE DUCT  
 CONNECTION AT  
 TEMPORARY CROSSOVER**  
 \* INCLUDED IN THE COST OF  
 "MAINTAIN LIGHTING SYSTEM"



**DETAIL 3** □  
**PROPOSED TEMPORARY POLE CONNECTION  
 TO BARRIER WALL**  
 NOT TO SCALE



**DETAIL 4** ⊗  
**TEMPORARY LIGHT POLE  
 CABLE ATTACHMENT DETAIL**  
 NOT TO SCALE  
**FOR TEMPORARY CABLE AND ATTACHMENT**  
 - 4-1/C #2 CONDUCTORS WITH STEEL MESSAGERS FOR  
 GROUNDING CONDUCTOR  
 - 2-PHASE CONDUCTORS WITH WATER PROOF FUSE HOLDER  
 AND FUSE PER CIRCUIT