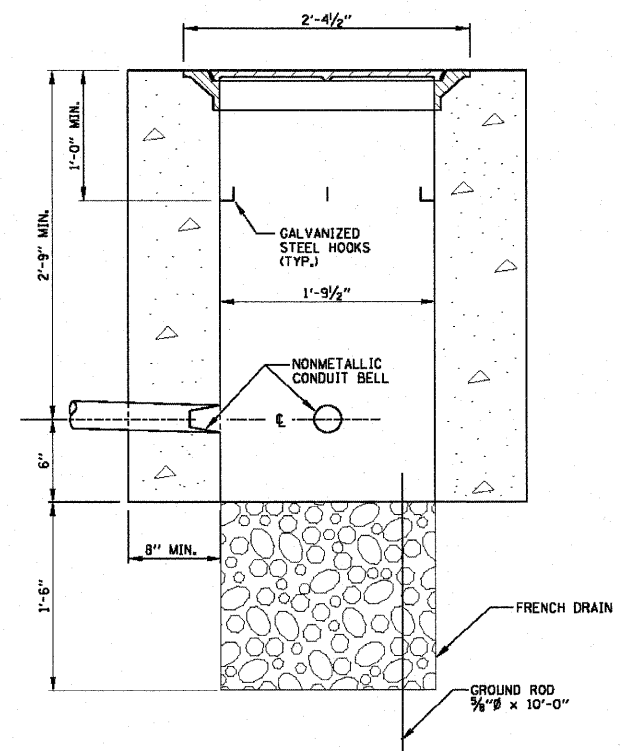
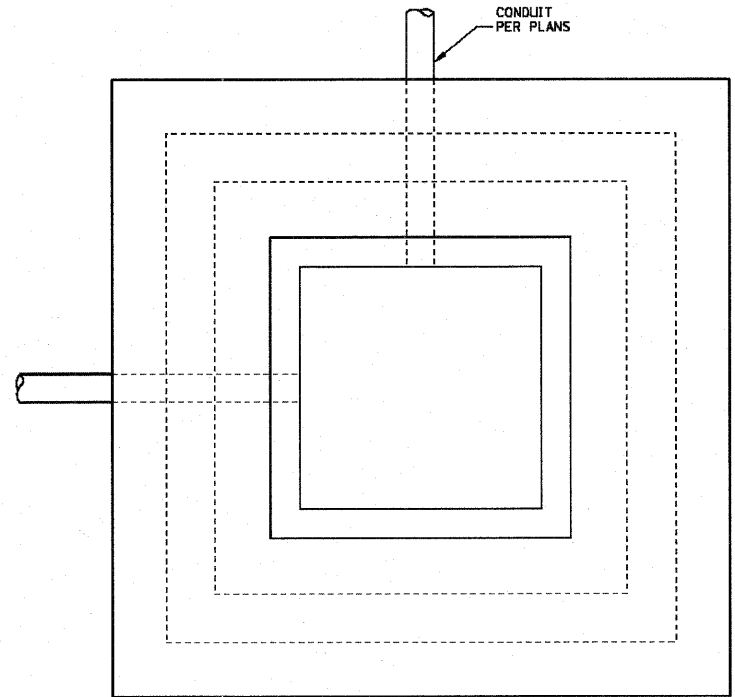


PLAN

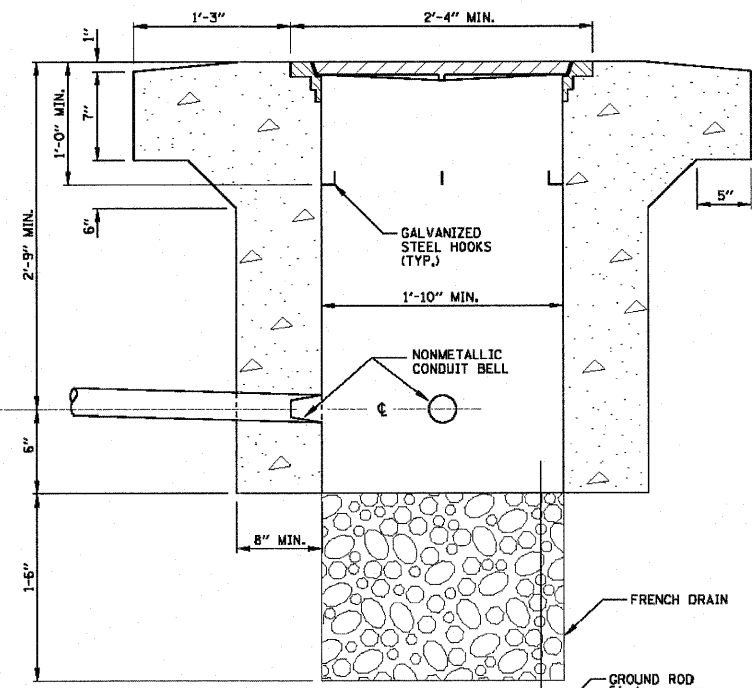


ELEVATION

PC CONCRETE HANDHOLE

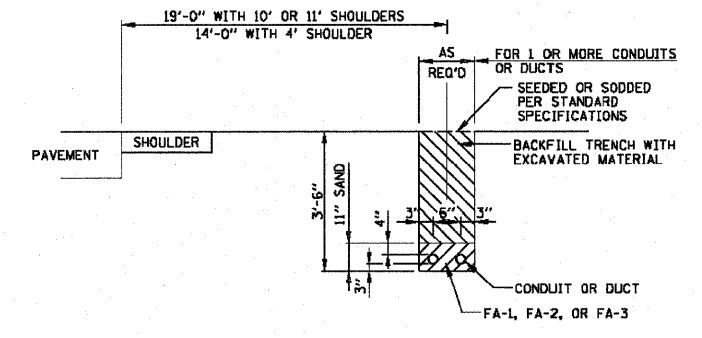


PLAN



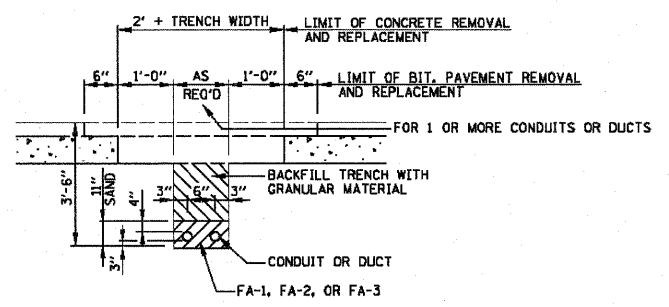
ELEVATION

PC CONCRETE - HEAVY DUTY HANDHOLE



TRENCHING FOR CONDUIT IN NON-PAVED AREAS  
NO SCALE

NOTE:  
SAW-CUT BITUMINOUS AND CONCRETE PAVEMENTS 1" DEEP PRIOR TO REMOVAL



TRENCHING FOR CONDUIT IN PAVED AREAS  
NO SCALE

SEE SHEET 2 (OF 2) IN THIS SERIES FOR GENERAL NOTES

SHEET 1 OF 2



DATE	REVISIONS

BURIED WIRING DETAILS

STANDARD H4-00

Rev. 1-9-12

APPROVED: *Jeff Daley*  
CHIEF ENGINEER DATE 1-1-2007