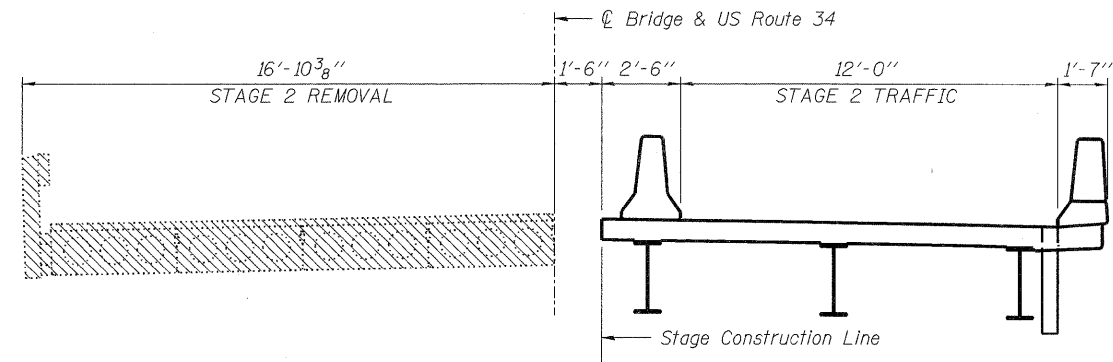


**STAGE 1 REMOVAL**

(Looking East)

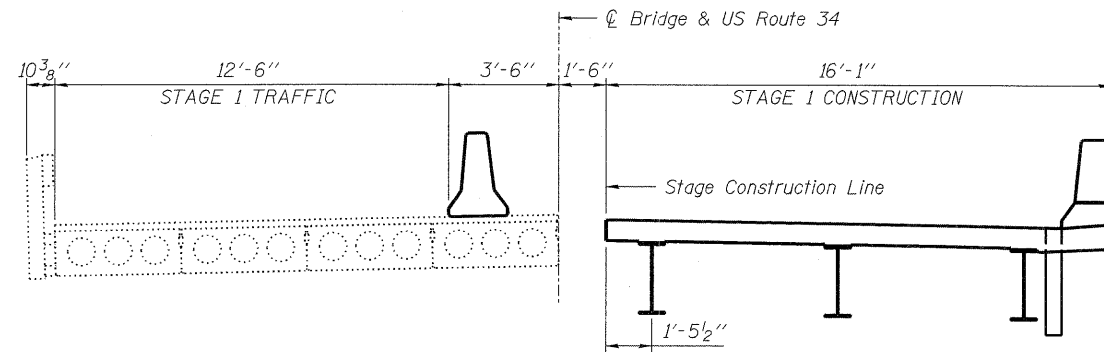


**STAGE 2 REMOVAL**

(Looking East)

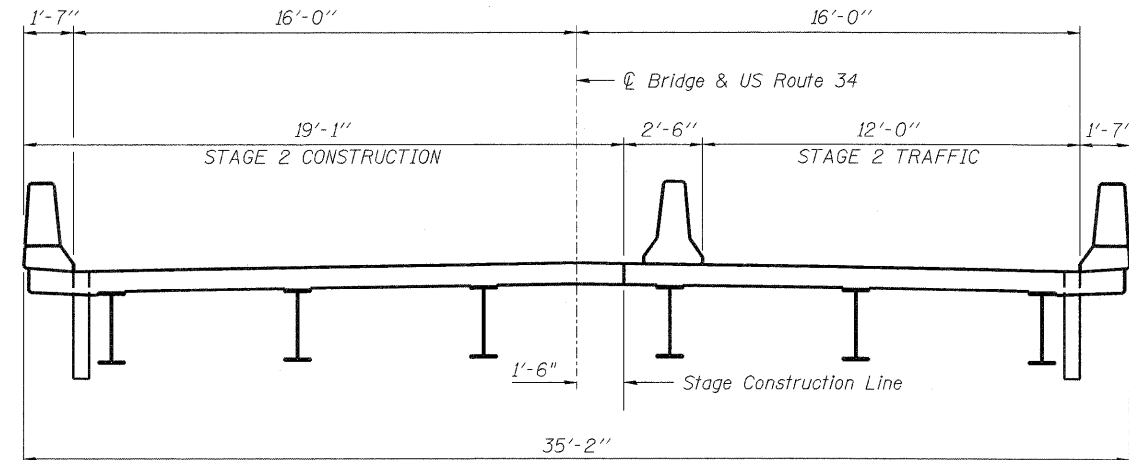
**NOTE:**

Existing temporary steel support beams not shown in cross sections for clarity.



**STAGE 1 CONSTRUCTION**

(Looking East)

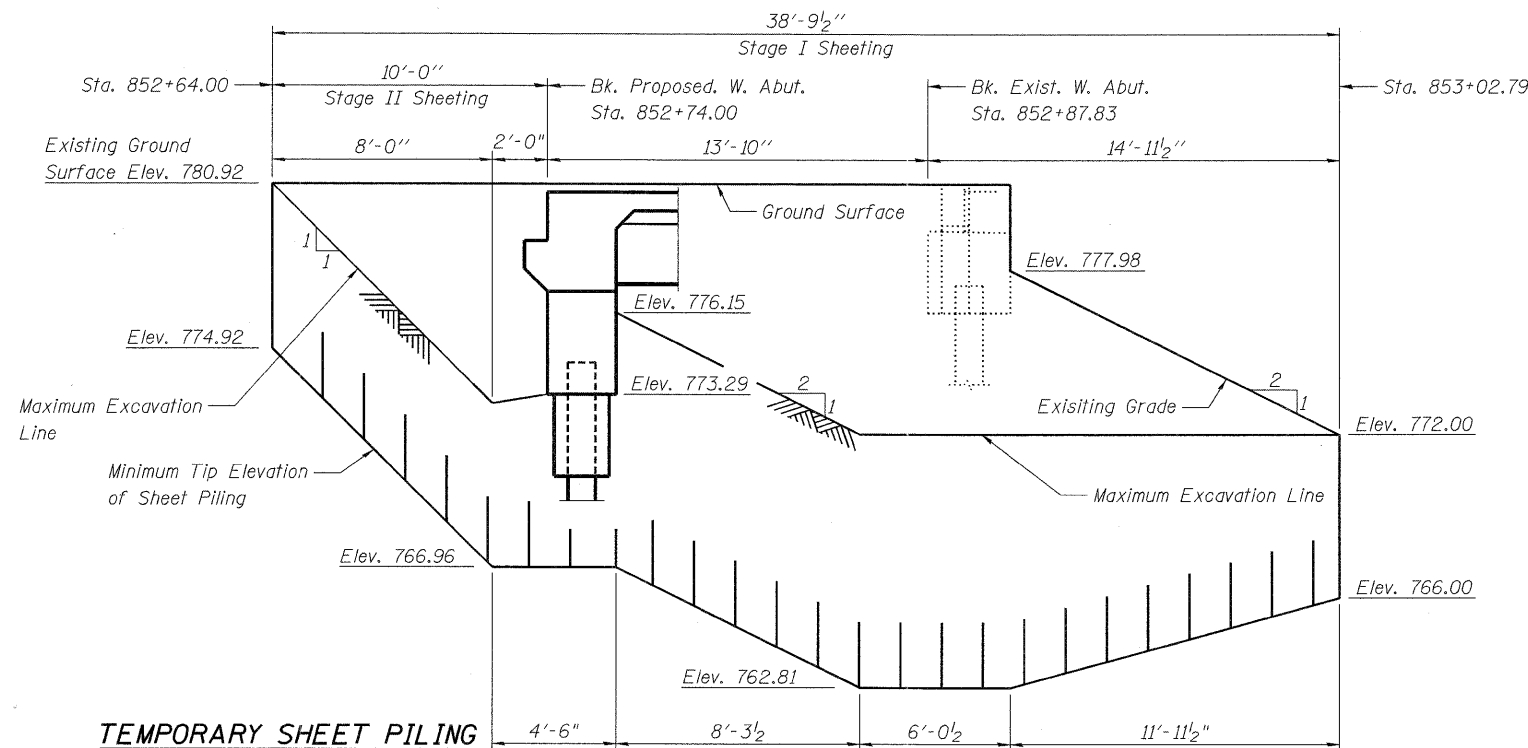


**STAGE 2 CONSTRUCTION**

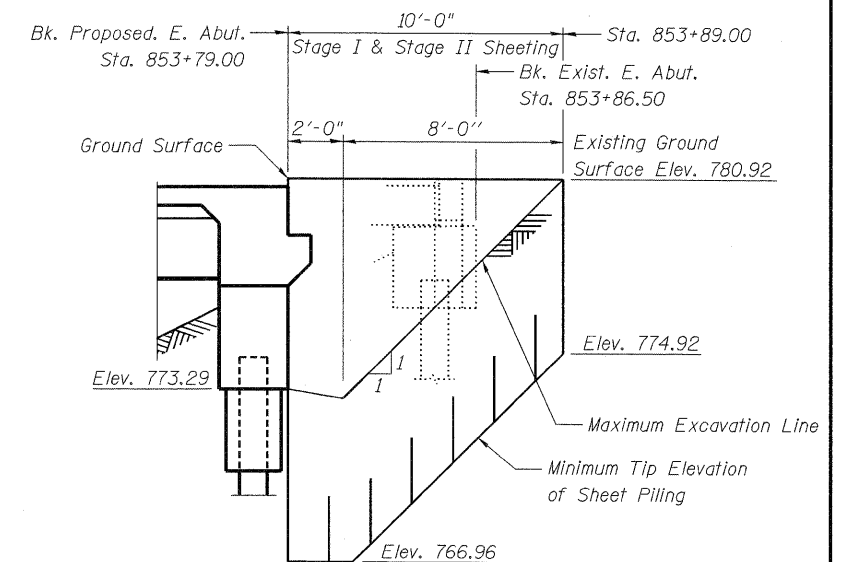
(Looking East)

**NOTES**

1. If the Contractor chooses to alter the temporary cantilevered sheet piling design requirements shown on the plans, a design submittal including plan details and calculations will be required for review and acceptance by the Engineer.
2. Minimum section modulus of temporary sheet piling shall be 3.3 in<sup>3</sup> / ft.



**TEMPORARY SHEET PILING AT WEST ABUTMENT.**



**TEMPORARY SHEET PILING AT EAST ABUTMENT.**

**BILL OF MATERIAL**

Item	Unit	Total
Temporary Sheet Piling	Sq Ft	632



USER NAME = kkhan  
 DESIGNED - SK  
 CHECKED - GBC/SMK  
 DRAWN - SK  
 PLOT DATE = 10/11/2011

DESIGNED - SK  
 CHECKED - GBC/SMK  
 DRAWN - SK  
 PLOT DATE = 10/11/2011

REVISOR -  
 REVISION -  
 REVISION -  
 REVISION -

**STATE OF ILLINOIS  
 DEPARTMENT OF TRANSPORTATION**

**STAGE CONSTRUCTION  
 STRUCTURE NO. 006-0183**

SHEET NO. 3 OF 26 SHEETS

F.A.P. RTE.	SECTION	COUNTY	TOTAL SHEETS	SHEET NO.
587	(22 BRIBR	BUREAU	61	19
			CONTRACT NO. 66995	
ILLINOIS FED. AID PROJECT				