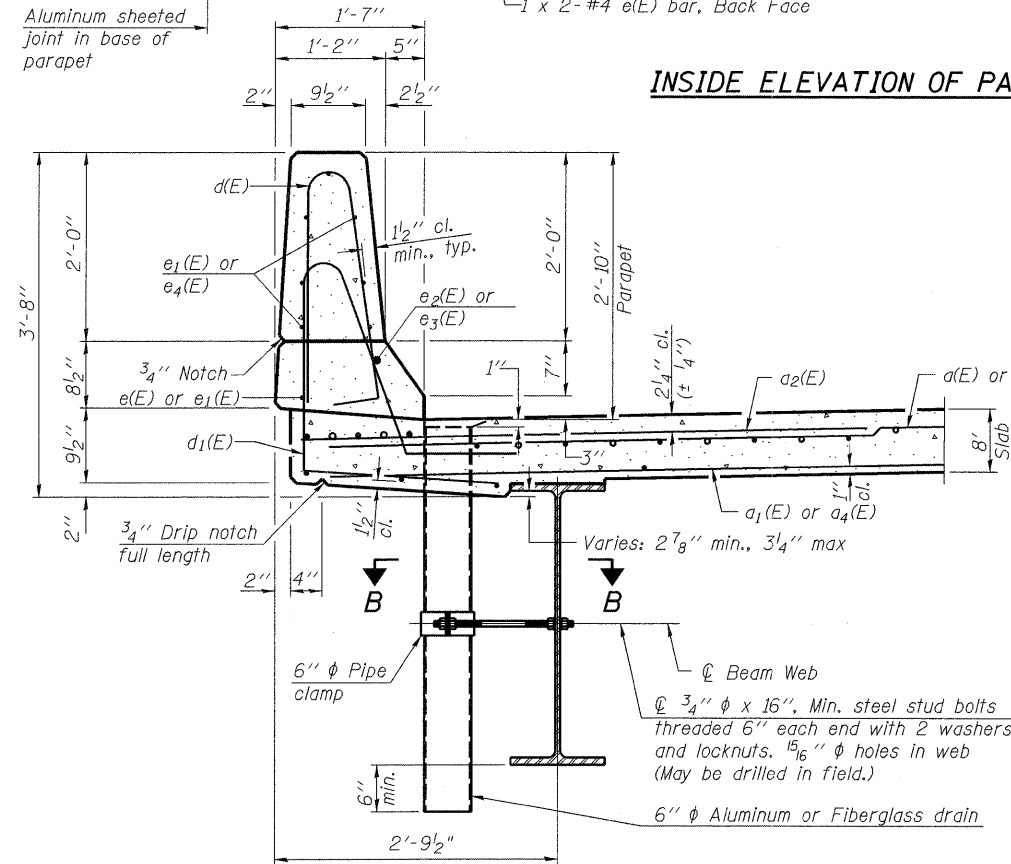
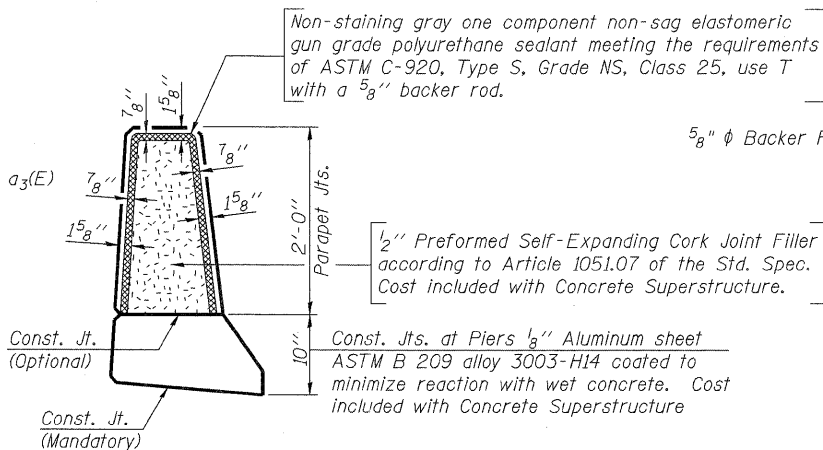


MINIMUM BAR LAP
 (Parapet)
 #4 bar = 2'-1"
 #8 bar = 5'-5"

INSIDE ELEVATION OF PARAPET

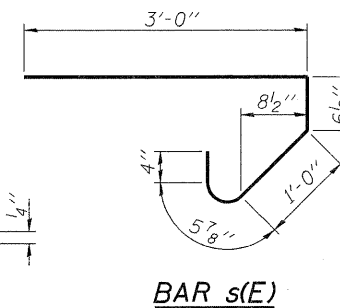


SECTION THRU PARAPET

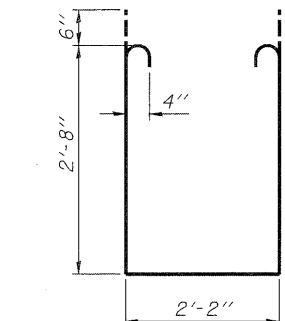


PARAPET JOINT DETAILS

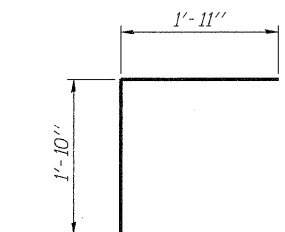
Notes:
 Floor Drains need not be painted.
 Fiberglass pipe shall conform to ASTM D 2996, with short-time rupture strength hoop tensile stress of 30,000 p.s.i. minimum.
 Galvanize clamping device according to AASHTO M232. Cost of clamping device and galvanizing is included with Floor Drains.



BAR s(E)



BAR s1(E)

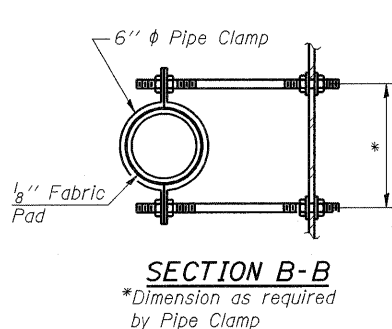


BAR v(E)

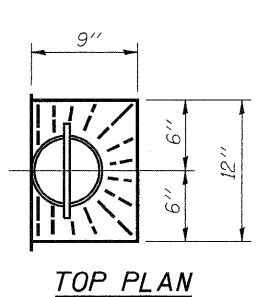
SUPERSTRUCTURE BILL OF MATERIAL

Bar	No.	Size	Length	Shape
a(E)	181	#5	15'-8"	—
a1(E)	127	#5	15'-2"	—
a2(E)	360	#6	6'-6"	—
a3(E)	181	#5	18'-8"	—
a4(E)	127	#5	18'-2"	—
b(E)	152	#5	28'-2"	—
b1(E)	35	#6	26'-0"	—
b2(E)	180	#5	23'-1"	—
d(E)	232	#5	5'-7"	—
d1(E)	232	#5	7'-7"	—
e(E)	8	#4	23'-4"	—
e1(E)	32	#4	7'-6"	—
e2(E)	8	#8	25'-0"	—
e3(E)	4	#8	7'-6"	—
e4(E)	84	#4	14'-8"	—
m(E)	10	#6	15'-10"	—
m1(E)	12	#6	7'-9"	—
m2(E)	8	#6	5'-8"	—
m3(E)	4	#6	2'-6"	—
m4(E)	2	#6	1'-3"	—
m5(E)	10	#6	18'-10"	—
m6(E)	12	#6	8'-9"	—
m7(E)	2	#6	4'-3"	—
s(E)	82	#5	5'-4"	—
s1(E)	72	#4	8'-6"	—
v(E)	72	#5	3'-9"	—
Bridge Deck Grooving	Sq Yd		374	
Protective Coat	Sq Yd		473.2	
Reinforcement Bars, Epoxy Coated	Pound		32,180	
Concrete Superstructure	Cu. Yds.		143.9	
Bar Splicers	Each		400	

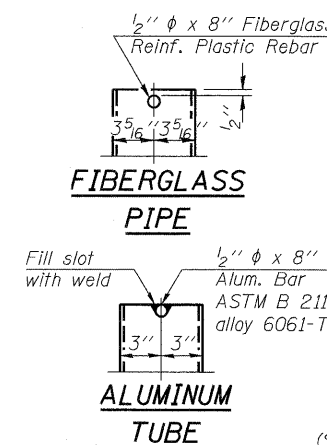
Bars indicated thus 1 x 2-#4 etc. indicates 1 line of bars with 2 lengths per line.



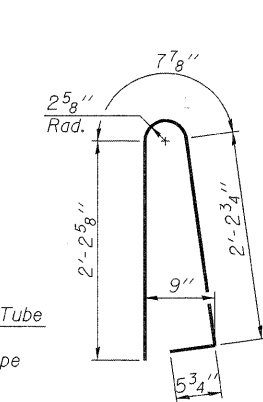
SECTION B-B
 *Dimension as required by Pipe Clamp



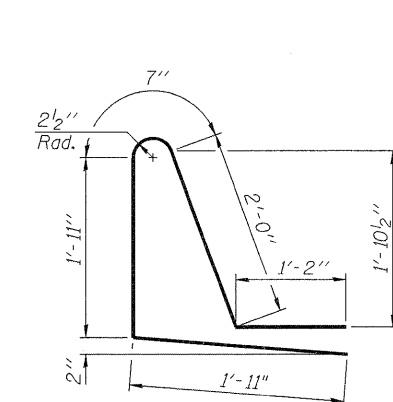
TOP PLAN



TOP PLAN (Showing Aluminum Tube)



BAR d(E)



BAR d1(E)