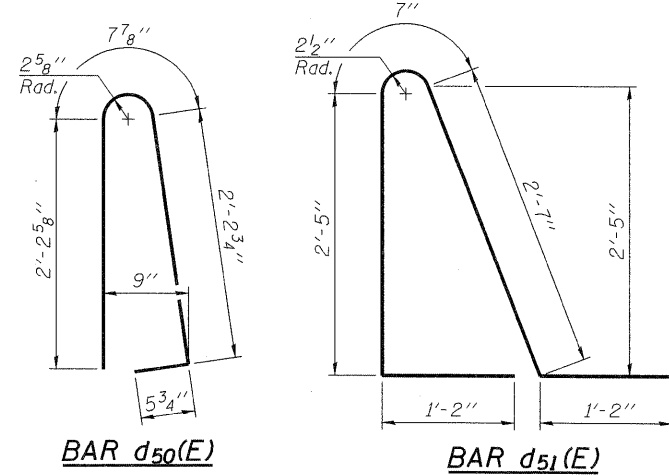


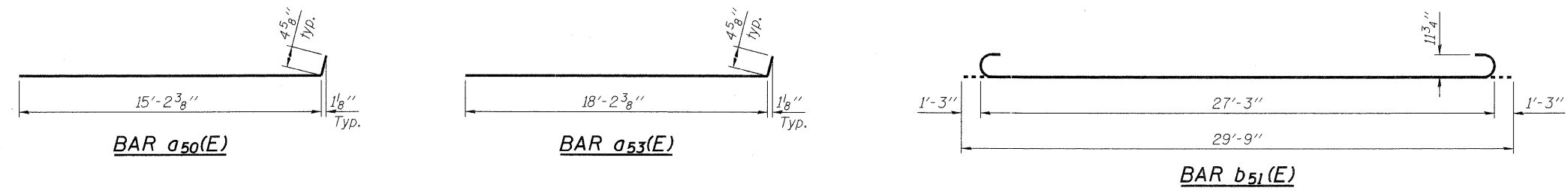
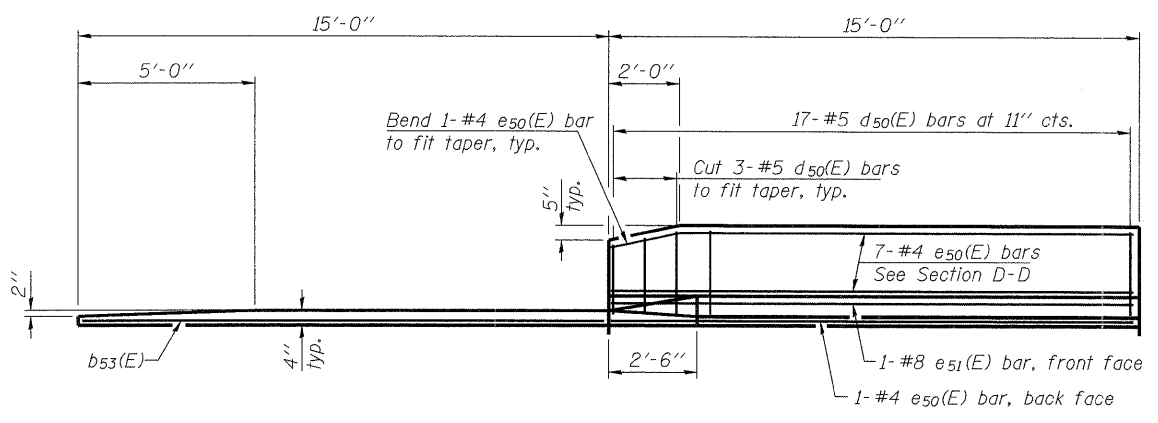
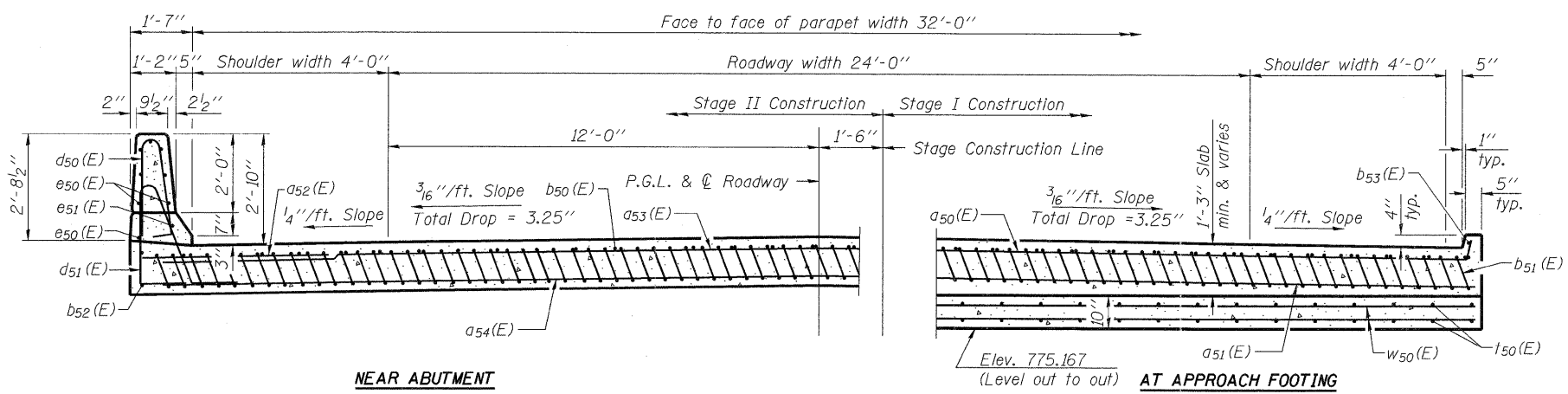
Notes:
 See sheet 14 of 26 for Detail A and View B-B.
 Approach slab and parapet concrete shall be paid for as Concrete Superstructure.
 Approach footing concrete shall be paid for as Concrete Structures.
 Reinforcement shall be paid for as Reinforcement Bars, Epoxy Coated.
 For v(E) bar details, see sheet 11 of 26.
 The approach footing maximum applied service bearing pressure (Q_{max}) = 2.0 ksf.
 For bar splicer details, see sheet 23 of 26.
 Cost of excavation for approach footing included with Concrete Structures.
 For Porous Granular Embankment (Special) and drainage treatment details, see sheet 2 of 26.
 For additional parapet details, see sheet 11 of 26.



* Tilt #9 b₅₁(E) bars as required to maintain clearance.
 *** Cost included with Concrete Superstructure.

**TWO APPROACHES
 BILL OF MATERIAL**

Bar	No.	Size	Length	Shape
a ₅₀ (E)	50	#4	15'-7"	—
a ₅₁ (E)	92	#5	15'-2"	—
a ₅₂ (E)	48	#6	6'-6"	—
a ₅₃ (E)	50	#4	18'-7"	—
a ₅₄ (E)	92	#5	18'-2"	—
b ₅₀ (E)	56	#4	29'-8"	—
b ₅₁ (E)	164	#9	29'-9"	—
b ₅₂ (E)	4	#4	14'-8"	—
b ₅₃ (E)	4	#4	14'-9"	—
d ₅₀ (E)	68	#5	5'-7"	⤴
d ₅₁ (E)	68	#5	7'-11"	⤴
e ₅₀ (E)	32	#4	14'-8"	—
e ₅₁ (E)	4	#8	14'-8"	—
l ₅₀ (E)	136	#4	9'-8"	—
w ₅₀ (E)	80	#5	15'-1"	—
w ₅₁ (E)	80	#5	18'-1"	—
Concrete Superstructure		Cu. Yd.	104.6	
Concrete Structures		Cu. Yd.	21.4	
Bridge Deck Grooving		Sq. Yd.	216	
Protective Coat		Sq. Yd.	233.8	
Reinforcement Bars, Epoxy Coated		Pound	28,240	
Bar Splicers		Each	222	



(Sheet 2 of 2)