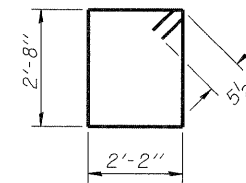
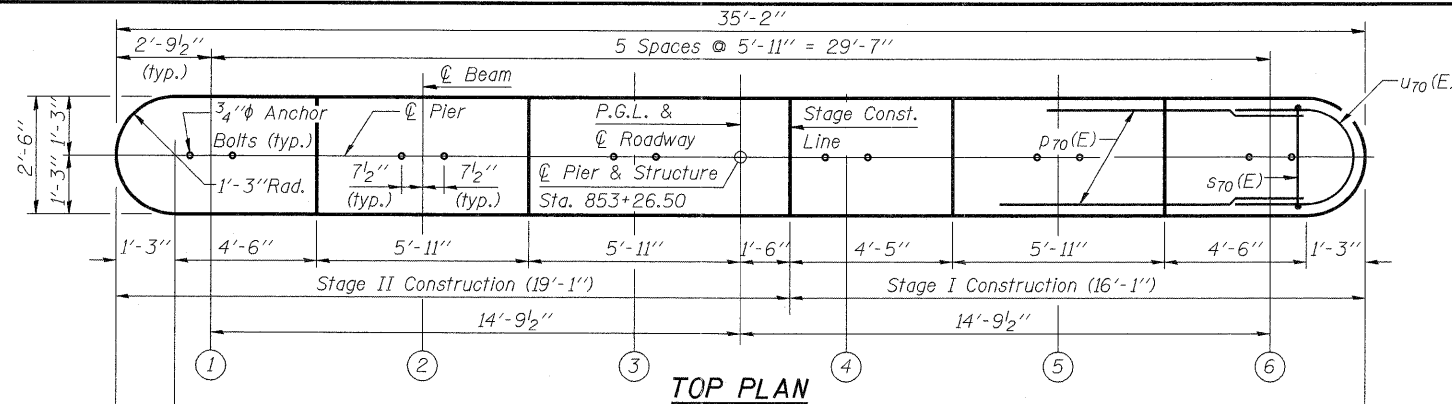
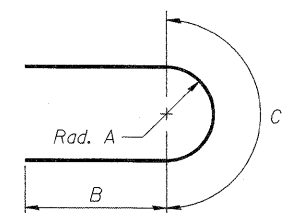


PILE DATA

Type: HP 10 x 42
 Nominal Required Bearing: 277 Kips
 Factored Resistance Available: 142 Kips
 Est. Length: 40 feet
 No. Production Piles: 8
 No. Test Piles: 1

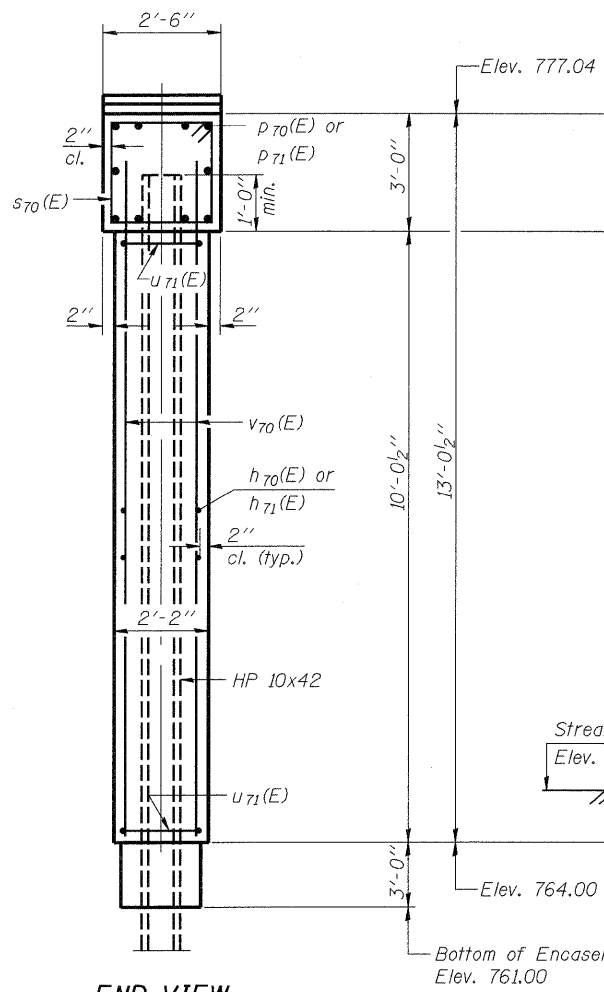


BAR s70(E)

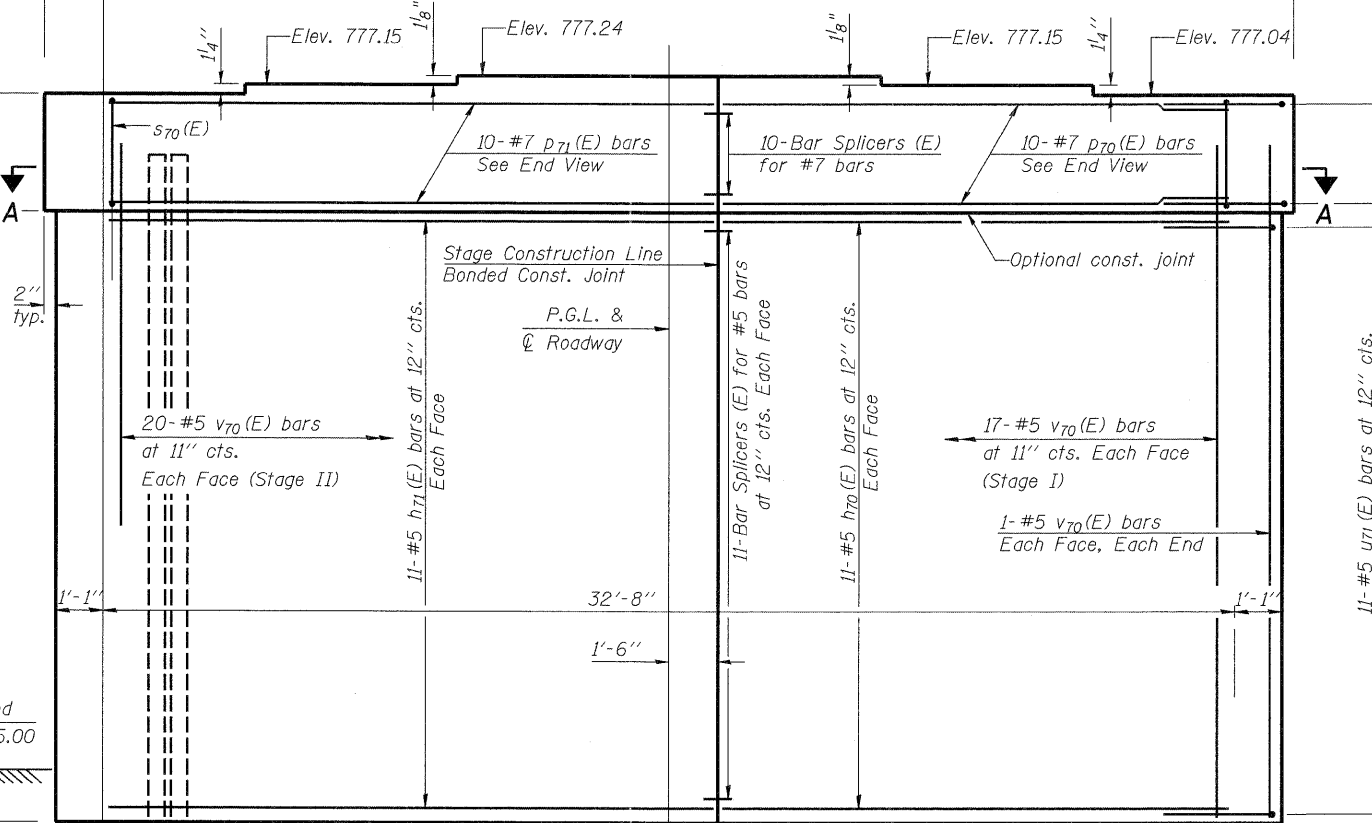


BARS u70(E) & u71(E)

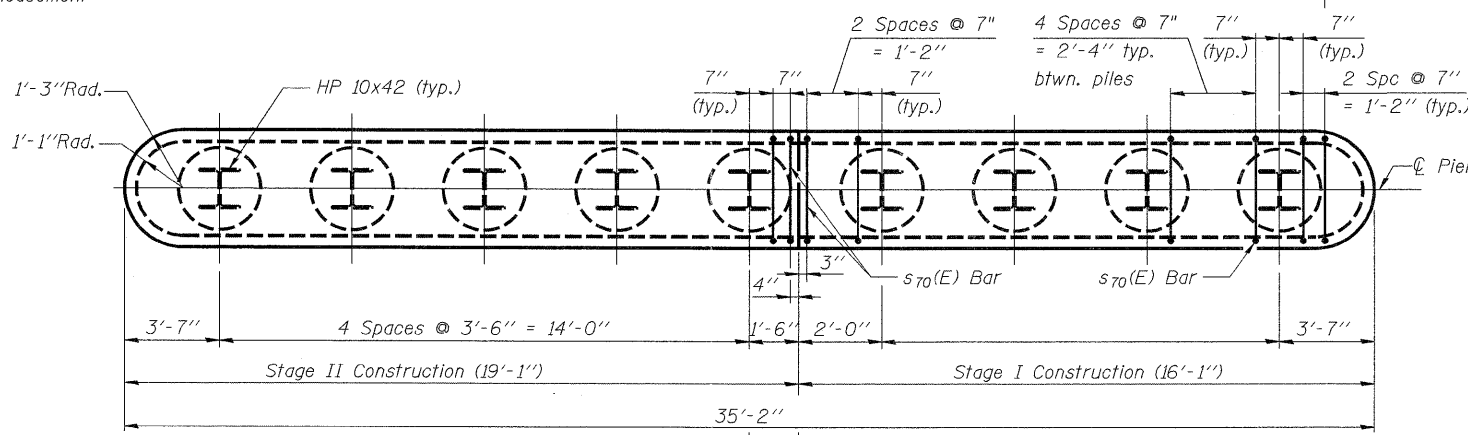
Dimension	u70(E)	u71(E)
A	1'-0"	11"
B	4'-2"	2'-7"
C	3'-2"	2'-11"



END VIEW



ELEVATION
(Looking East)



SECTION A-A

Notes:
 Space reinforcement in cap to miss anchor bolts.
 Four steps monolithically with cap.
 For details of piles, see sheet 22 of 26.

If a portion of the concrete encasement is under water, reinforcement may be placed underwater into forms. Concrete shall be tremied according to Article 503.08 of the Standard Specifications to an elevation of 1'-0" above the water line at the time of construction.

BILL OF MATERIAL

Bar	No.	Size	Length	Shape
h70(E)	22	#5	14'-10"	—
h71(E)	22	#5	17'-10"	—
p70(E)	10	#7	14'-10"	—
p71(E)	10	#7	17'-10"	—
s70(E)	46	#5	10'-7"	□
u70(E)	6	#7	11'-6"	U
u71(E)	22	#5	8'-1"	U
v70(E)	78	#5	12'-6"	—
Cofferdam Excavation	Cu. Yd.		17.0	
Concrete Structures	Cu. Yd.		39.0	
Cofferdam (Type 1) (Location - I)	Each		1	
Reinforcement Bars, Epoxy Coated	Pound		3,340	
Furnishing Steel Piles HP 10x42	Foot		320	
Driving Piles	Foot		320	
Test Pile Steel HP 10x42	Each		1	
Concrete Encasement	Cu. Yd.		3.2	
Bar Splicers	Each		32	



USER NAME = kghan
 DESIGNED - SK
 CHECKED - GBC/SMK
 DRAWN - SK
 PLOT DATE = 10/11/2011

DESIGNED - SK
 CHECKED - GBC/SMK
 DRAWN - SK
 PLOT DATE = 10/11/2011

REVISI -
 REVISI -
 REVISI -
 REVISI -

STATE OF ILLINOIS
DEPARTMENT OF TRANSPORTATION

PIER
STRUCTURE NO. 006-0183
 SHEET NO. 21 OF 26 SHEETS

F.A.P. RTE.	SECTION	COUNTY	TOTAL SHEETS	SHEET NO.
587	(22 BRBR	BUREAU	61	37

CONTRACT NO. 66995
 ILLINOIS FED. AID PROJECT